

Location:






Origins[™]

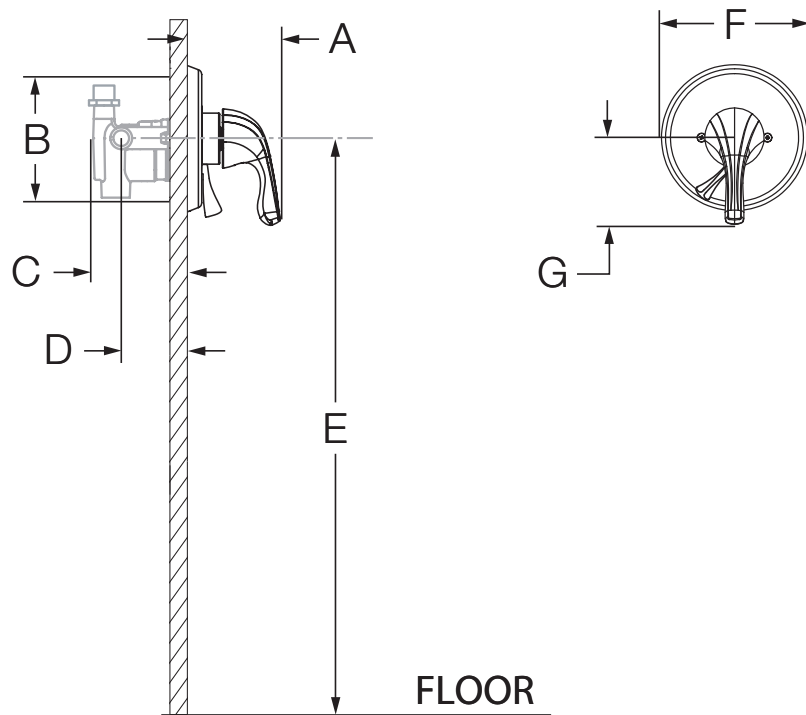
S-9600-PLR
Shower System

Specification Submittal



Model Numbers	Specification
<input type="checkbox"/> S-9600-PLR <i>Origins Shower System</i>	Shower system powered by the Temptrol [®] Pressure Balancing valve with integrated volume control. Components made from metal and nonmetallic materials plated in standard polished chrome finish. <div style="text-align: right;">   </div>
Modifications <ul style="list-style-type: none"> <input type="checkbox"/> -X <i>Integral service stops</i> <input type="checkbox"/> -CHKS <i>Integral check stops</i> <input type="checkbox"/> -IPS <i>1/2" female IPS connections</i> <input type="checkbox"/> -REV <i>Reverse coring for back to back installations</i> <input type="checkbox"/> -LP <i>Loop handle</i> <input type="checkbox"/> -B <i>Chrome brass escutcheon</i> <input type="checkbox"/> -D <i>Chrome brass dome cover</i> <input type="checkbox"/> -VP <i>Vandal proof escutcheon screws</i> <input type="checkbox"/> -OP <i>13" oval plate</i> <input type="checkbox"/> -TRM <i>Trim only, valve not included</i> <input type="checkbox"/> -STN <i>Satin Nickel finish</i> 	
<p>Note: Append appropriate -suffix to model number.</p>	Compliance -ASME A112.18.1/CSA B125.1 <div style="text-align: right;">  </div>
	Warranty Limited Lifetime - to the original end purchaser in consumer/residential installations. 5 Years - for industrial/commercial installations. Refer to www.symmons.com/warranty for complete warranty information.

Dimensions



Measurements	
A	3 5/8", 92 mm
B	Shower Valve Hole Size Min. Ø 3", 76 mm Max. Ø 4", 102 mm
C	3 1/2", 89 mm
D	Rough-in 2 3/8" ± 1/2", 60 mm ± 13 mm
E	Ref. 42", 1067 mm
F	Ø 5 3/4", 146 mm
G	3 3/8", 86 mm

Notes:

- 1) All dimensions measured from nominal rough-in (see D as reference).
- 2) Dimensions subject to change without notice.