

Series N8/BN8 Ball Valve

Three-Piece Ball Valve for Steam and Thermal Fluids
 Sizes 1/4" ~ 3"



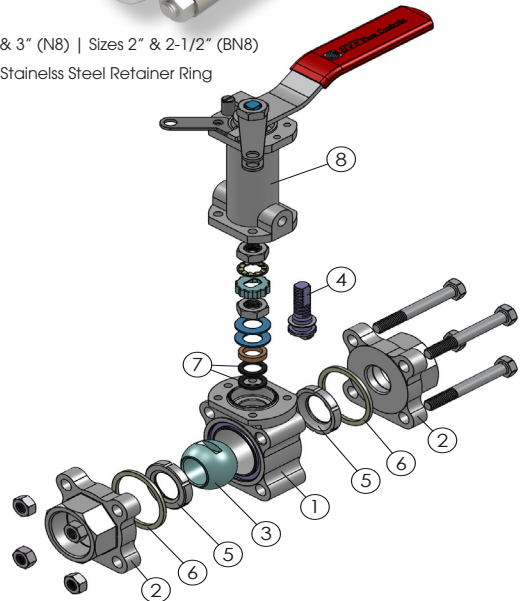
The SVF Therma-Safe Series N8/BN8, three-piece ball valves represent the next generation in design and performance for Steam and Thermal Fluid applications. These process-quality, high performance valves have been engineered to meet all of the industry standards for quality and performance. The feature rich design adds safety, reliability and superior performance to any process control system.

SERIES N8/BN8 DESIGN FEATURES

- ✓ High performance design for industrial steam and thermal fluid applications
- ✓ Encapsulated body seals to facilitate welding without disassembly
- ✓ Live-loaded stem seal ensures seal-tight pressure containment even under thermal cycling
- ✓ Three-piece "swing out" design offers easy access for in-line maintenance
- ✓ ISO 5211 mounting pad for easy actuation
- ✓ SupraLon™ seats are specifically designed for high temperature, steam and thermal fluids
- ✓ Blowout proof stem adds safety & reliability
- ✓ Stainless steel valves have 316L ends
- ✓ Full range of options to suit specific requirements



NOTE: Sizes 2-1/2" & 3" (N8) | Sizes 2" & 2-1/2" (BN8)
 Includes 316 Stainless Steel Retainer Ring



MATERIALS OF CONSTRUCTION

ITEM	DESCRIPTION	MATERIALS SPECIFICATIONS
1	Body	316 Stainless Steel (ASTM A351 CF8M) Carbon Steel (ASTM A216 WCB)
2	End Connector	316L Stainless Steel (ASTM A351 CF3M) Carbon Steel (ASTM A216 WCB)
3	Ball	316 Stainless Steel (ASTM A351 CF8M)
4	Stem	316 Stainless Steel (ASTM A276 316)
5	Seat	SupraLon™
6	Body Seal	SupraLon™
7	Stem Seal	SupraLon™
8	Retainer Sizes 2-1/2" & 3"	316 Stainless Steel

SVF "THERMA-SAFE"

The SVF "Therma-Safe™" is a rugged and modular extension device that provides manual access to valves installed in insulated piping systems while providing a safe operating distance for valves used in high temperature service. The modular design allows this unit to be fitted directly to the ISO mounting pad found on SVF ball valves.

What do you need today?™



Series N8/BN8 Ball Valve

Three-Piece Ball Valve for Steam and Thermal Fluids
 Sizes 1/4" ~ 3"



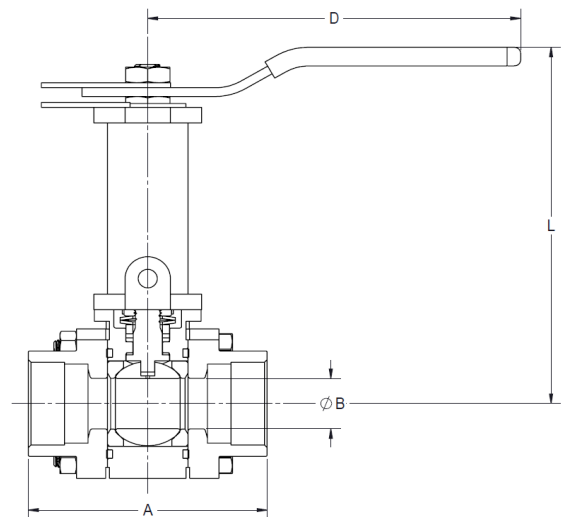
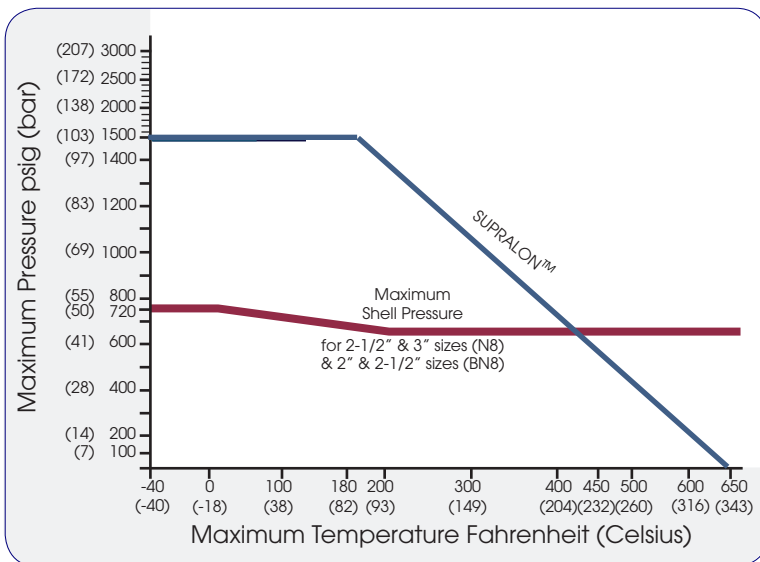
DIMENSIONS, WEIGHT, CV, TORQUE

Size		A		B		D		L		Weight		Cv	Torque** SupraLon™	
N8	BN8	in.	mm	in.	mm	in.	mm	in.	mm	lbs	kg		in-lbf	Nm
1/4" *	-	2.60	66	0.44	11	5	127	5.5	140	2	0.9	3	50	6
3/8" *	-	2.60	66	0.44	11	5	127	5.5	140	2	0.9	5	50	6
1/2"	-	2.60	66	0.44	11	5	127	5.5	140	2	0.9	8	50	6
3/4"	1/2"	2.81	71	0.56	14	5	127	5.6	142	2	0.9	12	50	6
1"	3/4"	3.70	94	0.81	21	6	152	5.9	150	4	1.8	32	150	17
1-1/4"	1"	4.25	108	1.00	25	6	152	5.9	150	5	2.3	57	175	20
1-1/2"	1-1/4"	4.57	116	1.25	32	7	178	6.4	163	7	3.2	80	450	51
2"	1-1/2"	5.04	128	1.50	38	7	178	6.6	167	11	5.0	104	600	68
2-1/2"	2"	5.95	151	2.00	51	11	279	7.0	178	17	7.7	240	925	105
3"	2-1/2"	6.68	170	2.50	64	14	356	10.7	272	30	13.6	320	1500	170

* 1/4" and 3/8" End Connections are Full Port

** At full differential pressure for clean fluids

N8/BN8 - PRESSURE/TEMPERATURE CHART



Class 600 (Sizes: 1/4" to 2")

Class 300 (Sizes: 2-1/2" to 3")

Note: Maximum pressure & temperature is limited to the seat material rating

Series N8/BN8 Ball Valve

Three-Piece Ball Valve for Steam and Thermal Fluids
 Sizes 1/4" ~ 3"



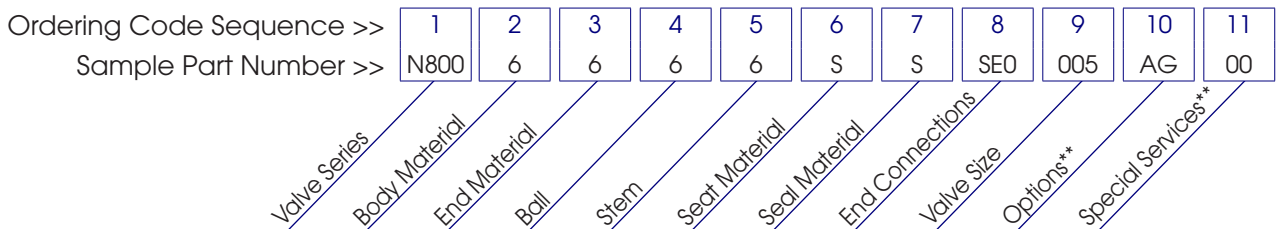
How To Order Guide (Columns 1 thru 11)

1 SERIES	2 BODY	3 ENDS	4 BALL	5 STEM	6 SEAT MATERIAL
N800*	4 = Carbon Steel ASTM A216 WCB	4 = Carbon Steel ASTM A216 WCB	6 = 316 Stainless Steel ASTM A351 CF8M	6 = 316 Stainless Steel ASTM A276 316	S = SupraLon™
BN80*	6 = 316 Stainless Steel ASTM A351 CF8M	6 = 316L Stainless Steel ASTM A351 CF3M		M = 17-4pH Stainless Steel ASTM A564 630	

NOTE: Size 2-1/2" N8 and 2" BN8 Valve require 17-4 pH Stem (Code M)

7 BODY SEAL	8 END CONNECTIONS	9 VALVE SIZE	10 OPTIONS**	11 SPECIAL SERVICES**
S = SupraLon™	SE0 = Threaded Ends (FNPT)	002 = 1/4" (Full Port)	AG = Therma-Safe ISO Cast Stem Extension & Locking Device	00 = None UH = Vent/Relief Hole ¹ HC = High Cycle Stem Kit
	SW0 = Socket Weld Ends	003 = 3/8" (Full Port)	00 = None	
	BW0 = Butt Weld Ends Schedule 40 wall (Standard)	005 = 1/2"	OH = Oval Handle	
	AAA = Threaded End X Socket Weld End	007 = 3/4"	LK = Locking Device	
	AAB = Threaded End X Butt Weld (Sch-40) End	010 = 1"	AB = Oval Handle & Anti-Static Device	
	AAD = Threaded End X Butt Weld (Sch-10) End	012 = 1-1/4"	AB = Oval Handle & ISO Cast Stem Extension	
	Butt Weld Ends:	015 = 1-1/2"	AG = ISO Cast Stem Extension & Locking Device	
	BWA = Schedule 5	020 = 2"	JA = Oval Handle, ISO Cast Stem Extension & Locking Device	
	BWB = Schedule 10	025 = 2-1/2"	JB = Oval Handle, ISO Cast Stem Extension & Anti-Static Device	
	BWC = Schedule 80	030 = 3"	JE = Locking Device, ISO Cast Stem Extension & Anti-Static Device	

Order Example: (N800666SSSE0005AG00) The Part Number will contain 20 digits.



¹ Vent Hole is on the Upstream Side

*N8 - Reduced Port, BN8 - Full Port

**Not all Options or Special Services available on all ball valves. Consult SVF for additional information.