

TRIO Commercial Cast Iron Boiler



CAST IRON BOILERS

Features

- 3-pass wet-base Euro design
- Manufactured with corrosion and thermal shock resistant GG20 cast-iron
- 58 PSI cast-iron construction
- Easy-access full open reversible swing-out door for easy access to combustion area
- Super-efficient, 3-pass flue/heat exchanger, does not require refractory material in chamber area
- Low mass and low water volume
- Multi-Fuel capability: Oil, Natural Gas or Propane. Changing source of fuel does not void warranty.
- Extra heavy 3" insulation for low jacket and standby losses
- 19½" wide block allows for easy access through standard size doorways
- ASME listed
- Fuel Smart HydroStat® 3250 control

Temperature Limit Control:
Designed for cold start boilers

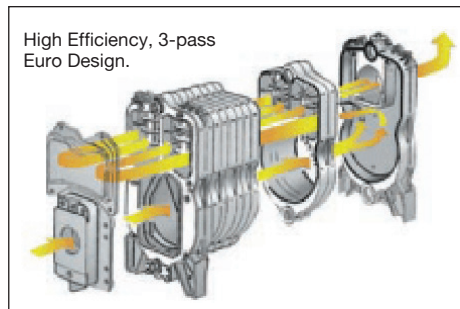
Low Water Cut-Off:
Provides protection against potentially dangerous low water conditions

Boiler Reset Control:
Utilizes Thermal Targeting™ technology to conserve fuel by monitoring heating demand and establishing target boiler temperatures below the high limit setting

The TRIO® Commercial Boiler by PurePro® with its highly efficient, 3-pass design offers Multi-Fuel flexibility, by using either oil or gas burners. The GG20 cast-iron block, with a 58 PSI rating and easy access swing door, is unsurpassed in durability and efficiency, providing years of trouble-free operation.

The 7 models ranging from 240 to 629 MBH, are suitable for commercial or multi unit buildings. Systems are extensively tested and are ASME certified.

The TRIO Commercial Heat Exchanger Path is up to 15 feet in length, and the 3-pass design heats more surface area per gallon burned, with 25% less heat lost than pin-type boilers.



Industry leading 20 year Limited Warranty



Shown with Riello Oil Burner

Optional Burners:



Beckett CG Gas Burner



Carlin 301 Gas Burner

PurePro Energy Manager Plus II

The optional PurePro Energy Manager Plus II integrates a five-zone relay board, boiler aquastat, low water cutoff, and boiler reset. This simple-to-use control comes completely pre-wired.

The PurePro Energy Manager Plus II features the Honeywell AQ25042B multiple zone control and the Hydrolevel 3250 HydroStat. The HydroStat 3250 uses Thermal Targeting to match the heat load and boiler water temperature.

To further enhance fuel efficiency, the fuel smart HydroStat is also equipped with a thermal pre-purge feature. When activated, the control will purge standing heat in the boiler at the start of any thermostat call, supplying the free latent energy to the heating zone that is calling.



FuelSmart HydroStat 3250



Boiler Mount

5 year Warranty

Ratings

Boiler / Jacket / Trim / Package #	Firing Rate (#2 Fuel)	Oil Input BTU/hr	Oil Output BTU/hr	Net Output (BTU/hr)	Oil Combustion Efficiency	Gas Input BTU/hr	Gas Output BTU/hr	Gas Combustion Efficiency	Net Output (Sq. ft.)	Water Capacity (gal.)	Shipping Weight
PROPC6230 (Assembled Block)	2.30	322,000	276,000	240,000	85.7	322,000	268,000	83.2	1600	17	1170
PROPC7290 (Assembled Block)	2.90	406,000	352,000	306,000	86.7	406,000	342,000	84.2	2040	20	1300
PROPC8350 (Assembled Block)	3.50	490,000	426,000	370,000	86.9	490,000	413,500	84.4	2465	23	1435
PROPC9410 (Assembled Block)	4.10	574,000	501,000	436,000	87.3	574,000	487,900	85	2910	26	1540
PROPC10470 (Assembled Block)	4.70	658,000	575,000	500,000	87.3	658,000	559,300	85	3335	29	1660
PROPC11530 (Assembled Block)	5.30	742,000	649,000	564,000	87.4	742,000	631,400	85.1	3760	32	1785
PROPC12590 (Assembled Block)	5.90	826,000	723,000	629,000	87.5	826,000	703,700	85.2	4195	35	1900

Burners

Boiler Model #	Oil Burner Model #	Oil Burner Part #	Gas Burner Model #	Gas Burner Part #
PROPC6230	Riello F10	706016	Beckett CG10 Carlin 201 Riello 400	706026 706056 706066
PROPC7290	Riello F15	706017	Beckett CG10 Carlin 301 Riello 900	706027 706057 706067
PROPC8350	Riello F15	706017	Beckett CG10 Carlin 301 Riello 900	706028 706058 706068
PROPC9410	Riello F15	706017	Beckett CG10 Carlin 301 Riello 900	706029 706059 706069
PROPC10470	Riello F15	706017	Beckett CG10B Carlin 301 Riello 900	706030 706060 706070
PROPC11530	Riello F20	706021	Beckett CG10B Carlin 301 Riello 900	706031 706061 706071
PROPC12590	Riello F20	706021	Beckett CG10B Carlin 301 Riello 900	706032 706062 706072

Dimensions (all models)

Cabinet Height	41-1/8"
Cabinet Width	25-3/8"
Bare Boiler Block Width	19"
Supply Outlet Size NPT	2-1/2"
Supply Outlet Height C.L.	34-1/8"
Return Size NPT	2-1/2"
Return Outlet Height C.L.	3-7/8"
Flue Outlet Diameter	8"
Flue Outlet Height C.L.	27-1/4"

Dimensions

Boiler Model #	Cabinet Length	Bare Boiler Block Length
PROPC6230	37-1/2"	34-3/8"
PROPC7290	42-1/4"	39-1/8"
PROPC8350	46-7/8"	43-3/4"
PROPC9410	51-3/4"	48-1/2"
PROPC10470	56-3/8"	53-3/8"
PROPC11530	61-1/8"	58"
PROPC12590	65-7/8"	62-3/4"

Commercial Parts Kit

(Standard w/all boilers, kit packed with burners)

- 1/2" x 1/4" Bushing
- 3/4" Street Elbow
- 30 PSI Relief Valve
- 3/4" x 6" Nipple
- 3/4" x 5" Nipple
- 3/4" Elbow
- 2-1/2" x 2-1/2" x 3/4" Tee (1)
- 2-1/2" Elbow
- 2-1/2" x 8" Nipple
- 2-1/2" x 4" Nipple
- T & A Gauge
- 3/4" Drain Valve
- HydroStat 3250 Aquastat
- Immersion Well
- 10' Temperature Probe to 240°F
- 3/4" Standard Well
- Ground Wire
- Stainless Floor Blanket



Superior serviceability.
Complete access to all three passes.

