

570 SERIES



PURPOSE

Save energy — cut fuel costs! Taco Zone valves, each with its own thermostat, permit accurate temperature control of individual rooms or groups of rooms in residences or commercial buildings which are heated or cooled hydronically. Put heat where you want it, when you want it.

FEATURES

Proven Performance — Over one million in use. Taco Zone Valves are the industry's top choice for consistent performance.

Dependable-Quiet Operation — Taco Zone Valves offer rugged dependability and absolutely silent operation.

Normally closed valve with manual override (power failure).

BUILT TO LAST

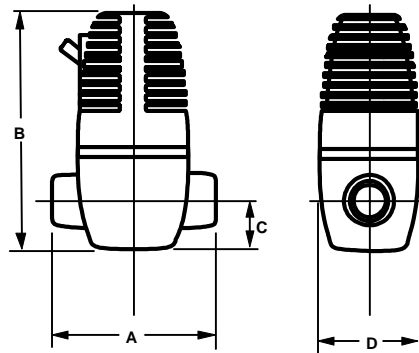
Leak Proof. Beryllium copper metal bellows separate system water from the atmosphere for positive and leak proof operation.

Patented Construction. Exclusive heat motor functions silently. Energy saver — heat motor is not constantly energized while the valve is open.

Maintenance Free. Heavy bronze body with sweat connections. Globe valve construction with E.P. seat ensures tight shut-off for trouble free service.

Easy-To-Install. Only 3 low voltage connections. Power head does not have to be removed to install.

Factory Tested. Every Taco Zone Valve is operated before shipment.



Prod. No.	Size Conn's. Ins.	Normal Flow Range GPM	Press. Drop Thru-Valve Ft. of Pipe equiv.	Pump Head Ft. of Water	Max. Work Press PSI	Oper. Temp. Range F.	Amp. Rating	Volts Frequency	Dimensions				Appr. Ship Wgt. Lbs.
									A	B	C	D	
570	1/2	0-4 1/2	10	65	125	40-240	09	24V-60Hz	3 1/8	4 13/16	15/16	2	2 1/4
571	3/4	4 1/2-6	20						3 3/8	4 13/16	15/16	2	2 1/4
572	1	6-10	60	65	125	40-240	09	24V-60Hz	3 5/8	4 13/16	15/16	2	2 1/4
573	1 1/4	10-16	130						3 7/8	4 13/16	15/16	2	2 1/4