

Model 570 Zone Valves

Submittal Data Information



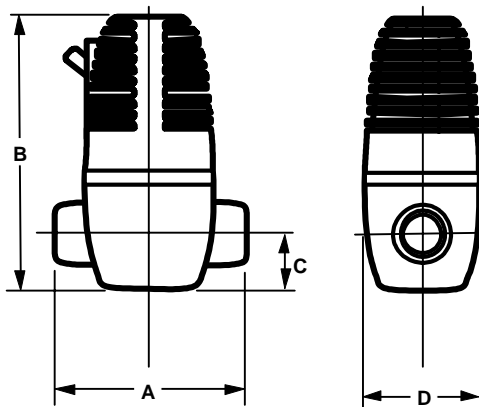
APPLICATION

Save energy — cut fuel costs! Taco Zone Valves, each with its own thermostat, permit accurate temperature control of individual rooms or groups of rooms in residences or commercial buildings which are heated hydronically. Put heat where you want it, when you want it. For closed loop heating system ONLY; use geothermal zone valve for open loop system.

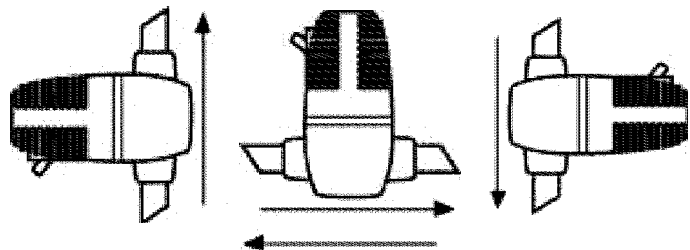
FEATURES

- Packless construction—Beryllium copper bellows is used for permanent leakproof operation.
- Heavy cast brass body with sweat connections.
- Globe valve construction with resilient seat for tight shut-off.
- Heat motor functions silently—not constantly energized while valve is open.
- Easy to install—Power head does not have to be removed. Only 3 low voltage connections.
- Readily and quickly serviced—Power head can be replaced without draining system. Entire power head is removed by a slight twist. Only 1/4" required above unit to remove power head.
- Totally enclosed snap-action end switch.
- Handy manual operator arm.
- Silent operation.

DIMENSIONS



MOUNTING POSITIONS



Prod. No.	Size Conn's. (Sweat)	Normal Flow Range GPM (M ³ /H)	Press. Drop Thru-Valve Ft. of Pipe equiv. (M)	Cv (Kv)	Pump Head Ft. of Water (M)	Max. Work Press PSI (KPa)	Oper. Temp. Range F. (C)	Amp. Rating	Volts Freq	Dimensions				Appr. Ship Wgt. Lbs. (Kg)
										A	B	C	D	
570	1/2" (.23-1.0)	1-4 1/2" (3.0)	10 (3.6)	4.2 (17)	55 (862)	125 (5-115)	40-240	0.9 60Hz	24V (78)	3 1/8 (122)	4 13/16 (24)	1 5/16 (51)	2 (1.0)	2 1/4
571	3/4"	4 1/2-6 (1.0-1.4)	20 (6.1)	6.1 (5.3)						3 3/8 (86)	4 13/16 (122)	1 5/16 (24)	2 (51)	2 1/4 (1.0)
572	1" (1.4-2.3)	6-10 (18.3)	60 (6.1)	7.0						3 5/8 (122)	4 13/16 (24)	1 5/16 (51)	2 (1.0)	2 1/4
573	1 1/4"	10-16 (2.3-3.6)	130 (39.6)	7.2 (6.2)						3 7/8 (98)	4 13/16 (122)	1 5/16 (24)	2 (51)	2 1/4 (1.0)