

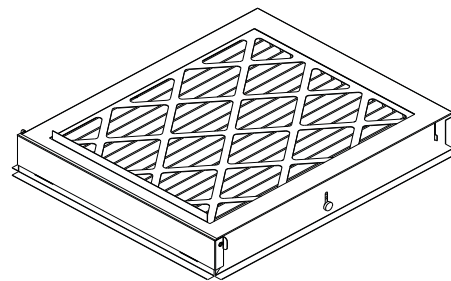
Filter Base For Samsung Multi-position Air Handlers

Job Name _____
 Purchaser _____
 Submitted to _____
 Unit Designation _____

Location _____
 Engineer _____
 Reference _____ Approval _____ Construction _____
 Schedule # _____

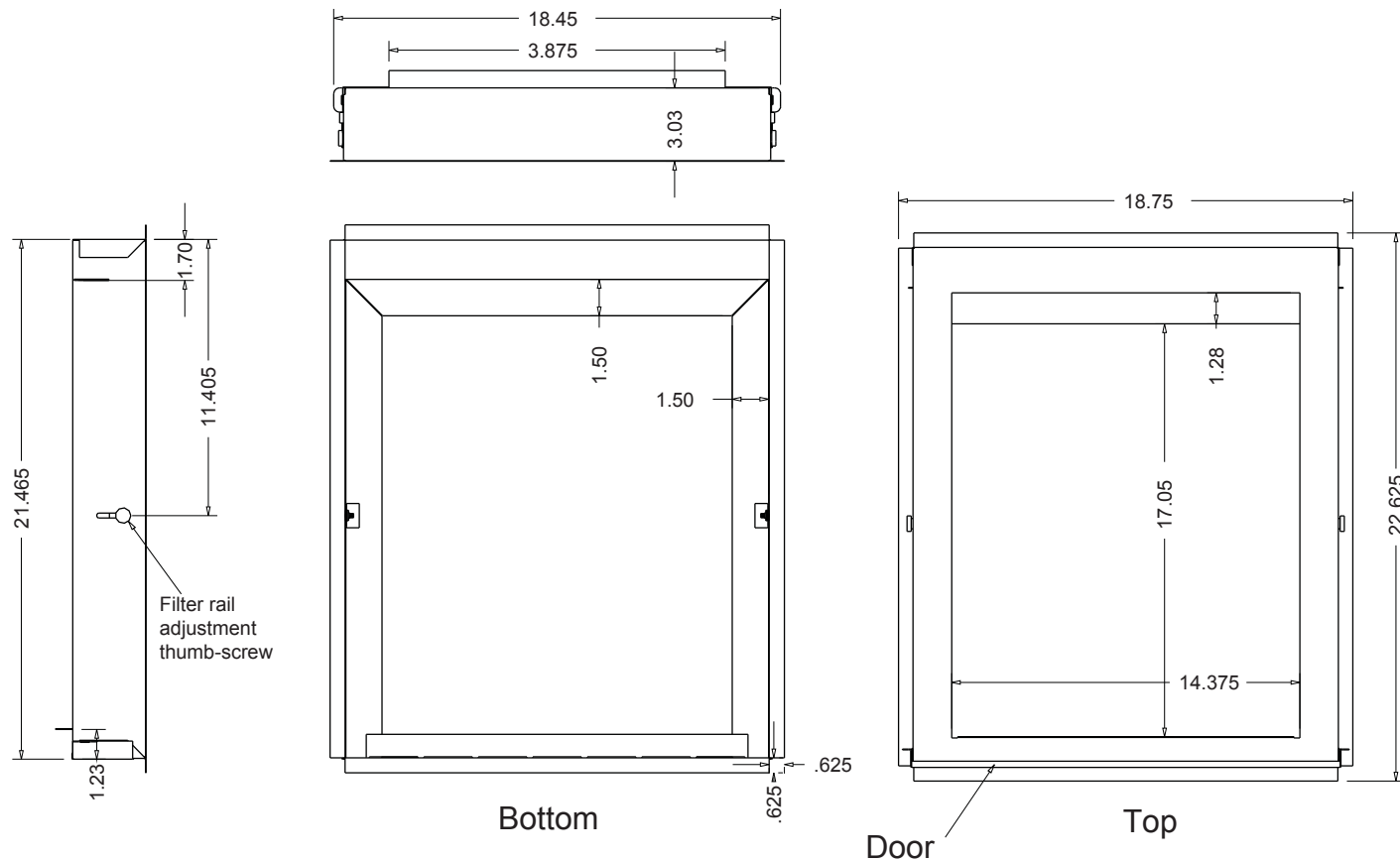
Description

- Filter base for Samsung multi-position air handlers (AM0**GNVQCH, AM0**JNZDCH/AA, AC0**KNZDCH/AA)
- For use in vertical installation applications
- Includes 1", disposable, pleated filter
- Adjustable filter rails to accept 1" or 2" filters
- Hinged filter access door
- Galvanized steel construction



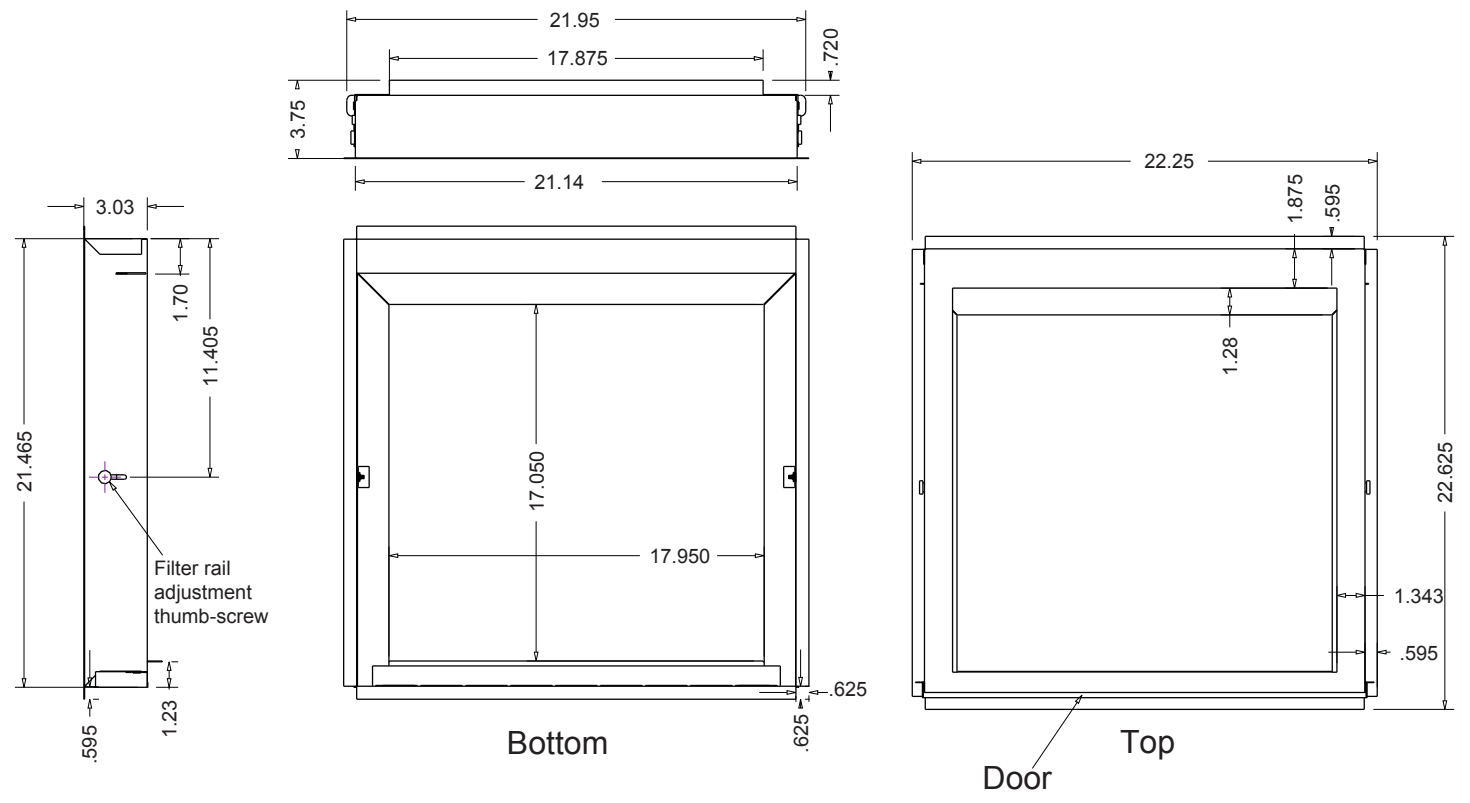
Model Number	Indoor Unit Nominal Capacity	Compatible Indoor Units	Filter Sizes (inches)
VFB-1	12,000 btu/h	AM012JNZDCH/AA, AM012GNVQCH	16 X 20 X 1 16 X 20 X 2
	18,000 btu/h	AM018JNZDCH/AA, AM018GNVQCH, AC018KNZDCH/AA	
	24,000 btu/h	AM024JNZDCH/AA, AM024GNVQCH, AC024KNZDCH/AA	
VFB-2	30,000 btu/h	AM030JNZDCH/AA, AM030GNVQCH, AC030KNZDCH/AA	20 X 20 X 1 20 X 20 X 2
	36,000 btu/h	AM036JNZDCH/AA, AM036GNVQCH, AC036KNZDCH/AA	
VFB-3	42,000 btu/h	AC042KNZDCH/AA	20 X 24 X 1 20 X 24 X 2
	48,000 btu/h	AM048JNZDCH/AA, AM048GNVQCH, AC048KNZDCH/AA	
	54,000 btu/h	AM054JNZDCH/AA, AM054GNVQCH, AC054KNZDCH/AA	
	60,000 btu/h	AM060JNZDCH/AA, AM060GNVQCH	
	72,000 btu/h	AM072JNZDCH/AA, AM072GNVQCH	

VFB-1 Dimensions (inches)



Samsung HVAC maintains a policy of ongoing development, specifications are subject to change without notice.

VFB-2 Dimensions (inches)



VFB-3 Dimensions (inches)

