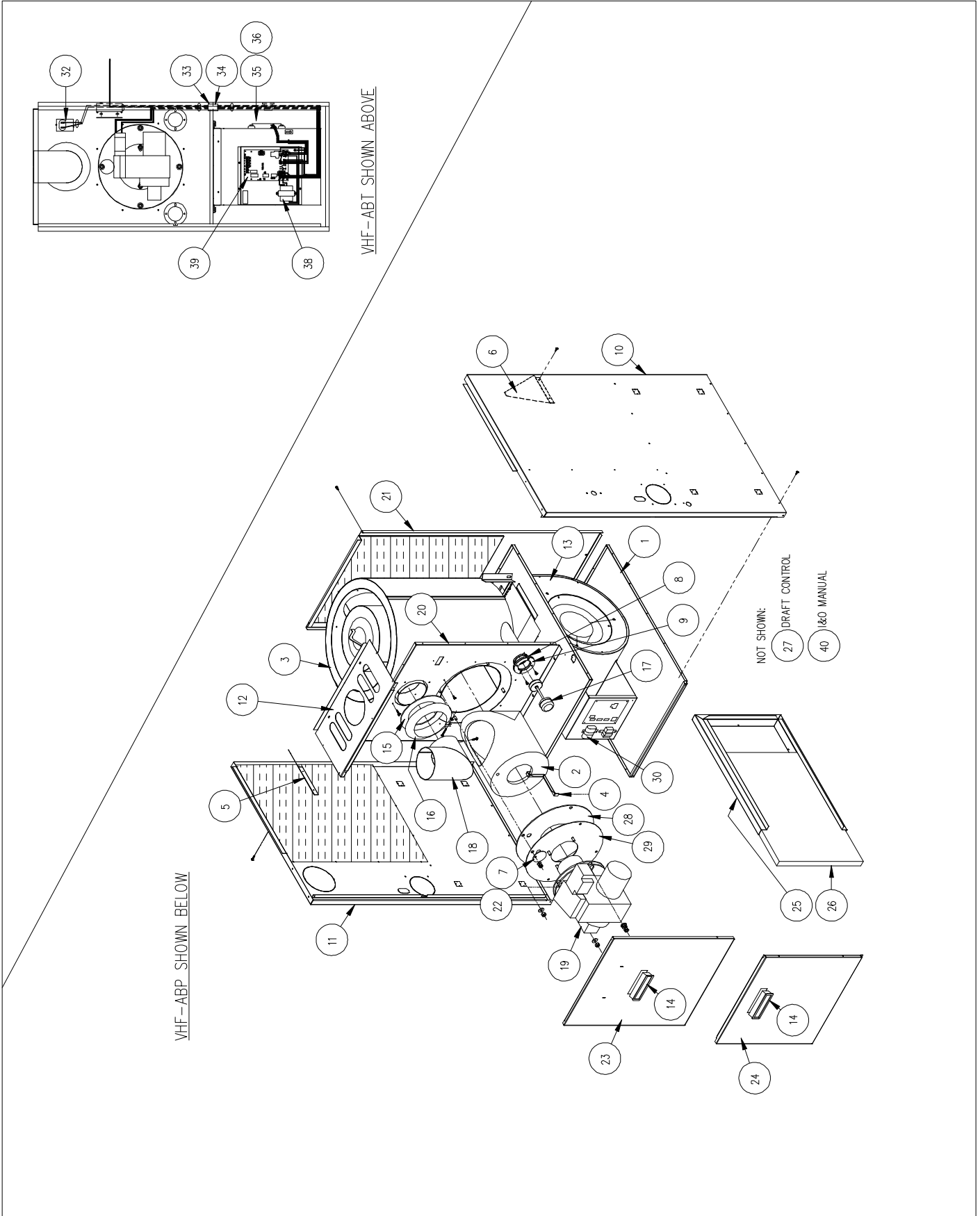


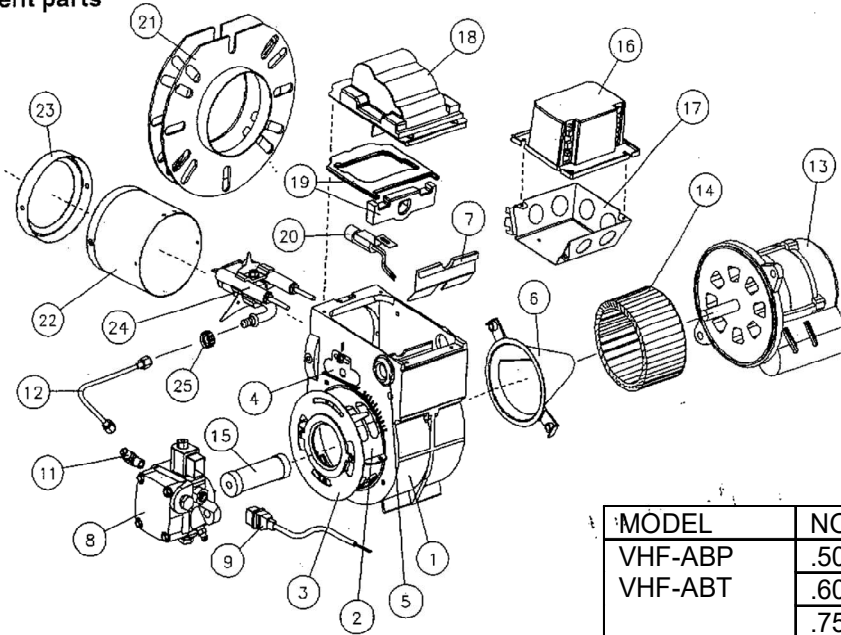
APPENDIX D: REPLACEMENT PARTS ALL Models



ITEM	UNIT PARTS DESCRIPTION	VHF-ABP		VHF-ABT		VHF-ACP		VHF-ACT	
		PART NO.	QTY.	PART NO.	QTY.	PART NO.	QTY.	PART NO.	QTY.
1	BASE	18463	1	18463	1	18463	1	18463	1
2	COMBUSTION CHAMBER, SOFT	AOPS7492	1	AOPS7492	1	AOPS7492	1	AOPS7492	1
3	HEAT EXCHANGER KIT	AOPS7775	1	AOPS7775	1	AOPS7775	1	AOPS7775	1
4	CHAMBER RETAINER	18557	1	18557	1	18557	1	18557	1
5	BAFFLE, LEFT SIDE CASING	11928	1	11928	1	11928	1	11928	1
6	BAFFLE, RIGHT SIDE CASING	11926	1	11926	1	11926	1	11926	1
7	COVER, OVER-FIRE DRAFT OPENING	18556	1	18556	1	18556	1	18556	1
8	GASKET	330215	2	330215	2	330215	2	330215	2
9	TRIM PLATE	18553	2	18553	2	18553	2	18553	2
10	CASING, RIGHT SIDE	618468-1	1	618468-1E	1	618468-1	1	618468-1E	1
11	CASING, LEFT SIDE	618467-1	1	618467-1E	1	618467-1	1	618467-1E	1
12	PANEL, TOP FRONT	618466-1	1	618466-1	1	618466-1	1	618466-1	1
13	BLOWER SUB-ASSEMBLY	50049	1	50050	1	50049	1	50050	1
13A	BLOWER HSG w\ WHEEL ASSEMBLY	340080	1	340080	1	340080	1	340080	1
13B	BLOWER WHEEL	340083	1	340083	1	340083	1	340083	1
14	DOOR PULL	320157	2	320157	2	320157	2	320157	2
15	GASKET, FLUE COLLAR	330073	1	330073	1	330073	1	330073	1
16	DRAW COLLAR	14121	1	14121	1	14121	1	14121	1
17	CLEAN-OUT PLUG ASSEMBLY	S00S4471	2	S00S4471	2	S00S4471	2	S00S4471	2
18	ELBOW	36050	1	36050	1	36050	1	36050	1
19	OIL BURNER	380704	1	380704	1	380835	1	380835	1
20	PANEL, FRONT SEPARATOR	18469	1	618469E	1	18469	1	618469E	1
21	CASING, REAR	618725-1	1	618725-1E	1	618725-1	1	618725-1E	1
22	GASKET, OFDO COVER	330343	1	330343	1	330343	1	330343	1
23	DOOR, FRONT	618470-1	1	618470-1	1	618470-1	1	618470-1	1
24	DOOR, BLOWER ACCESS	618464-1	1	618464-1E	1	618464-1	1	618464-1E	1
25	FILTER RACK	27373	1	27373	1	27373	1	27373	1
26	FILTER	370187	1	370187	1	370187	1	370187	1
27	DRAFT CONTROL	370110	1	370110	1	370110	1	370110	1
28	GASKET, BURNER MTG PLATE	330212	1	330212	1	330212	1	330212	1
29	PLATE, BURNER MTG W/ GASKET	AOPS7597	1	AOPS7597	1	AOPS7597	1	AOPS7597	1
30	CAPACITOR	350073 10/370	1	—	—	350073 10/370	1	—	—
32	LIMIT SWITCH	350953	1	350953	1	350953	1	350953	1
33	WIRE HARNESS, VESTIBULE	350926	1	350926	1	350926	1	350926	1
34	WIRE HARNESS, BLWR CMPRTMNT	350927	1	350927	1	350927	1	350927	1
35	MOTOR	AOPS7657 1/2 HP PSC	1	350207 1/2 HP CTM	1	AOPS7657 1/2 HP PSC	1	350207 1/2 HP CTM	1
36	MOTOR BRACKET	AOPS7670	1	AOPS7670	1	AOPS7670	1	AOPS7670	1
38	TRANSFORMER 24v	350464	1	350464	1	350464	1	350464	1
39	CONTROL, FAN TIMER	AOPS8380	1	AOPS8380	1	AOPS8380	1	AOPS8380	1
40	MANUAL, i & O	MO-525	1	MO-525	1	MO-525	1	MO-525	1

EFL201 AFG BECKETT BURNER, 380704

Replacement parts

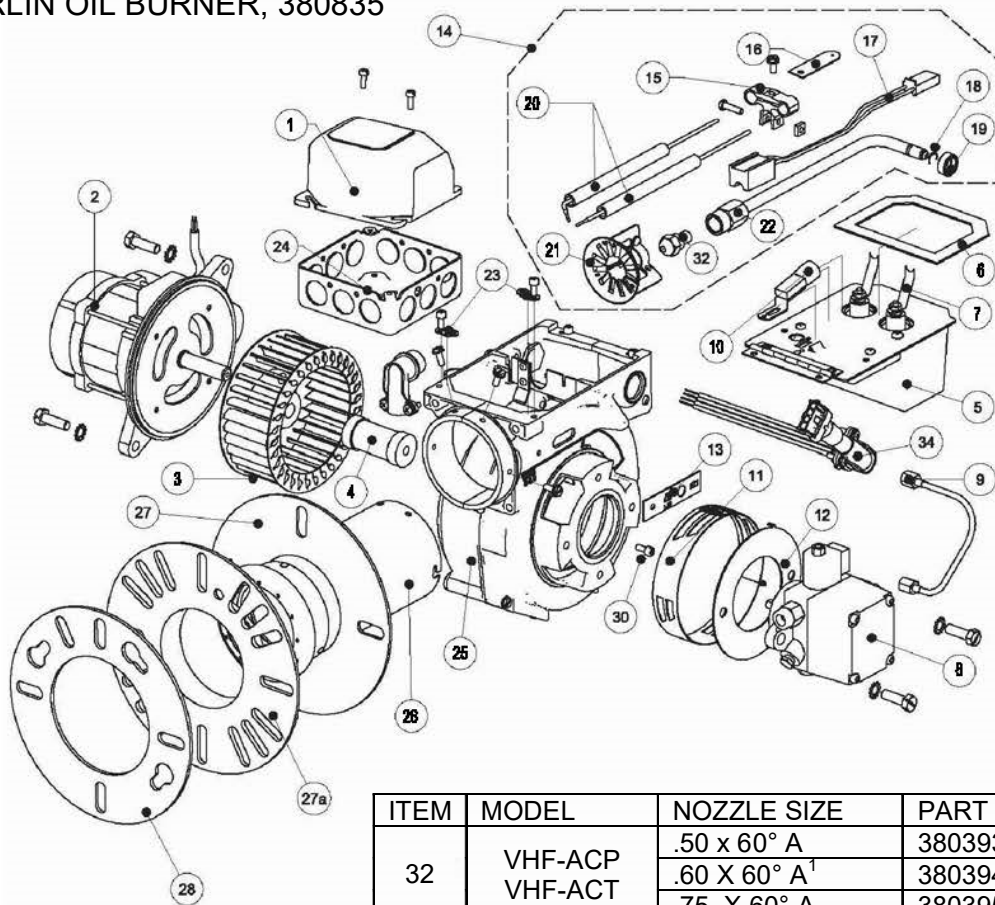


MODEL	NOZZLE SIZE	PART #
VHF-ABP	.50 x 80° A	380279
VHF-ABT	.60 X 80° A ¹	380398
	.75 X 80° A	380366

ITEM	DESCRIPTION	BECKETT PART #	TP PART #
1	BURNER HOUSING ASSY.	5874GY	
2	AIR BAND ASSY.	5151502	
3	AIR SHUTTER 4 - SLOT	3709U	380289
4	ESCUTCHEON PLATE	3493	
	SCREW	4292	
5	HOLE PLUG	2139	
6	AIR GUIDE	31231U	
7	LOW FIRING RATE BAFFLE	5880	
8	*PUMP 120PSI	21844	380674
	*SOLENOID	21755	380654
9	VALVE CORD SET	21807U	380653
11	PUMP ELBOW	2256	320815
12	CONNECTION TUBE	5394	380107
13	*MOTOR 1/7 HP 3450 RPM	21805E	380644
14	BLOWER WHEEL 4 1/4 X 2 7/16 TAB	2999	380271
15	*COUPLING	2454	380241
16	*PRIMARY CONTROL	7505B1500	350431
17	ELECTRICAL BOX	5770	
18	*IGNITER W/ GASKETS	51771U	380645
19	IGNITER GASKET KIT	51304	
20	*CAD CELL w/ SOCKET	7006U	350104
21	FLANGE WELDED TO TUBE	N/A	N/A
	GASKET	31653	380270
22	AIR TUBE COMBINATION W/FLG, GUN ASSY & HEAD	58020165	380108
	BLAST TUBE ONLY	AF60YHHSSS	
23	HEAD W/ SHIELD KIT F3	360063	380320
24	ELECTRODE NOZZLE ASSY	NL60YH	380706
	*ELECTRODES PAIR	5780	380269
	STATIC PLATE, 3 5/8 U	3384	
25	SPLINED NUT	3666	320121
	BULK HEAD FITTING	3488	320120

¹ Nozzle installed in burner.

EZ1 CARLIN OIL BURNER, 380835



ITEM	MODEL	NOZZLE SIZE	PART #
32	VHF-ACP VHF-ACT	.50 x 60° A	380393
		.60 X 60° A ¹	380394
		.75 X 60° A	380395

ITEM	DESCRIPTION	CARLIN PART #	TP PART #
1	PRIMARY W/ DISPLAY 70200 10S PRE / 0S POST	70200S	380845
2	1/6HP PSC MOTOR	98022S	380846
3	BLOWER WHEEL / FAN	77933S	380847
4	PUMP COUPLING	75564S	380848
5	IGNITOR	41000S	380849
6	IGNITOR BASEPLATE GASKET	40167S	
7	IGNITOR TERMINAL KIT (2 TERM. & NUTS)	24463	
8	PUMP W/SOLENOID 120 PSI	98750S	380850
	SOLENOID		380851
	PUMP ELBOW 3/16 FLARE X 1/8 NPT	29926	
9	CONNECTION TUBE	34470	380852
10	CAD CELL KIT	14407SES	380053
11 & 12	AIR BAND/AIR SHUTTER KIT @ .5	98055S	
13 & 30	HEADER BAR KIT (7 BARS & SCREW)	98055S	
14	COMBUSTION HEAD ASSY 5"	77958S	380854
15	ELECTRODE BRACKET	23135	
18 & 19	C RING & THUMB NUT KIT	50624S	
20	ELECTRODE WIRE SET	82768S	380855
21	RETENTION RING ASSY	77438S	380856
22	NOZZLE LINE ADAPTER ASSEMBLY	56820	
23	IGNITOR HOLD-DOWN TABS (2 Req.)	44842	
24	ELECTRICAL BOX	44586	
25	HOUSING	50685A	
26	AIR TUBE W/FLANGE	51242	380857
27	FLANGE	N/A	
28	FLANGE GASKET	40212	380858

¹ Nozzle installed in burner.