

## Two-Way Shower Diverter

### FEATURES:

- Plastic body construction with Brass swivel nut
- 1/2 in. NPS male outlet and 1/2 in. NPS female inlet
- Inlet contains rubber seal washer with mesh screen
- Built-in check valves

### FINISH:



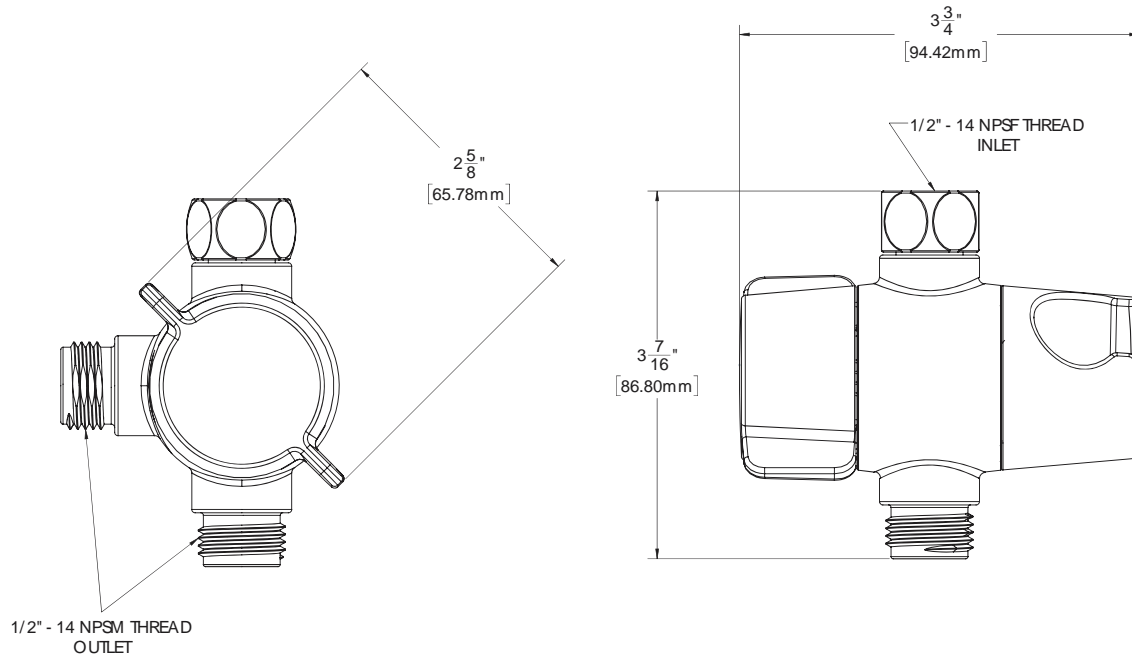
PC BN

### WARRANTY:

- 1 year limited



### DIMENSIONS:

 NOTE: 1. All dimensions are in inches (millimeters) unless otherwise specified and are subject to change without notice.

Architect/Engineer Approval Space:

SPEAKMAN  
400 ANCHOR MILL ROAD  
NEW CASTLE, DE 19720

P: 800-537-2107  
F: 800-977-2747  
W: WWW.SPEAKMAN.COM  
R: FEBRUARY 2018

265