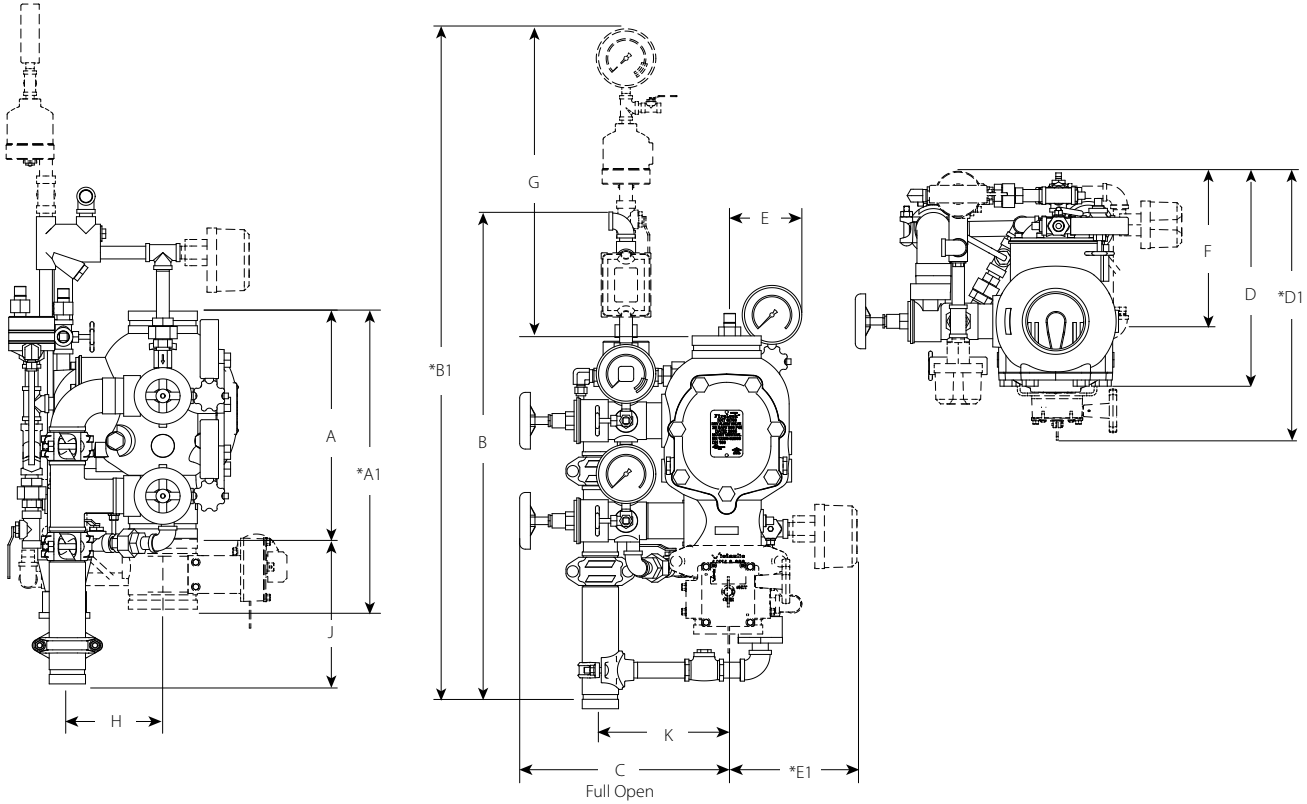


# FireLock NXT™ Dry Valve

SERIES 768

## DIMENSIONS

THE 4 INCH/114.3 MM UL LISTED, FM APPROVED CONFIGURATION IS SHOWN BELOW  
 1½ - 2" / 48.3 - 60.3 MM CONFIGURATIONS CONTAIN ¾" / 19 MM DRAIN VALVES.  
 2½ - 3" / 73.0 - 88.9 MM CONFIGURATIONS CONTAIN 1¼" / 31 MM DRAIN VALVES.  
 4 - 8" / 114.3 - 219.1 MM CONFIGURATIONS CONTAIN 2" / 50 MM DRAIN VALVES.



Size		Dimensions – inches/mm														Aprx. Weight Ea. lbs/kg	
Nominal Size Inches/mm	Actual Outside Diameter Inches/mm	A	A1	B	B1	C	D	D1	E	E1	F	G	H	J	K	Without Trim	With Trim
1½ 40	1.900 48.3	9.00 228.60	16.43 417.32	27.25 692	39.50 1003	13.75 349	16.00 406	—	5.25 133	8.50 215	9.50 241	21.25 539	3.04 77.21	9.17 232.91	6.98 177.29	16.7 7.6	43.0 19.5
2 50	2.375 60.3	9.00 228.60	16.43 417.32	27.25 692	39.50 1003	13.75 349	16.00 406	—	5.25 133	8.50 215	9.50 241	21.25 539	3.04 77.21	9.17 232.91	6.98 177.29	17.0 7.7	43.0 19.5
2½ 65	2.875 73.0	12.61 320.29	16.50 419.10	32.25 819	44.25 1123	13.50 342	16.00 406	17.50 444	5.25 133	9.00 228	9.25 234	21.25 539	3.90 99.06	10.50 266.70	6.93 176.02	41.0 18.7	65.0 29.5
76.1 mm	3.000 76.1	12.61 320.29	16.50 419.10	32.25 819	44.25 1123	13.50 342	16.00 406	17.50 444	5.25 133	9.00 228	9.25 234	21.25 539	3.90 99.06	10.50 266.70	6.93 176.02	41.0 18.7	65.0 29.5
3 80	3.500 88.9	12.61 320.29	16.50 419.10	32.25 819	44.25 1123	13.50 342	16.00 406	17.50 444	5.25 133	9.00 228	9.25 234	21.25 539	3.90 99.06	10.50 266.70	6.93 176.02	41.0 18.7	65.0 29.5
4 100	4.500 114.3	15.03 381.76	19.78 502.41	33.50 850	45.50 1155	15.00 381	15.75 400	20.50 520	5.25 133	9.00 228	10.75 273	21.00 533	6.25 158.75	9.62 244.34	8.46 214.88	59.0 26.7	95.0 43.0
165.1 mm	6.500 165.1	16.00 406.40	22.00 558.80	34.00 863	46.00 1168	15.50 393	17.00 431	22.00 558	5.25 133	8.50 215	11.50 292	20.50 520	6.20 157.48	9.62 244.34	8.84 224.53	80.0 36.2	116.0 52.6
6 150	6.625 168.3	16.00 406.40	22.00 558.80	34.00 863	46.00 1168	15.50 393	17.00 431	22.00 558	5.25 133	8.50 215	11.50 292	20.50 520	6.20 157.48	9.62 244.34	8.84 224.53	80.0 36.2	116.0 52.6
8 200	8.625 219.1	17.50 444.50	22.94 582.67	33.50 850	45.50 1155	16.75 425	20.00 508	25.25 641	6.25 158	8.75 222	12.75 323	18.50 469	6.05 153.67	9.40 238.76	10.21 259.33	122.0 55.3	158.0 71.6

NOTES:

The "A" dimension coupling is not shown in order to clarify dimensional callouts. Components shown as dotted lines denote optional equipment.

\* Measurements denoted with an asterisk take optional equipment into account. Optional drain connection kit is shown for reference and takeout dimensions.