

## Front Wind Baffle for Samsung Outdoor Units

Job Name \_\_\_\_\_  
 Purchaser \_\_\_\_\_  
 Submitted to \_\_\_\_\_  
 Unit Designation \_\_\_\_\_

Location \_\_\_\_\_  
 Engineer \_\_\_\_\_  
 Reference \_\_\_\_\_ Approval \_\_\_\_\_ Construction \_\_\_\_\_  
 Schedule # \_\_\_\_\_

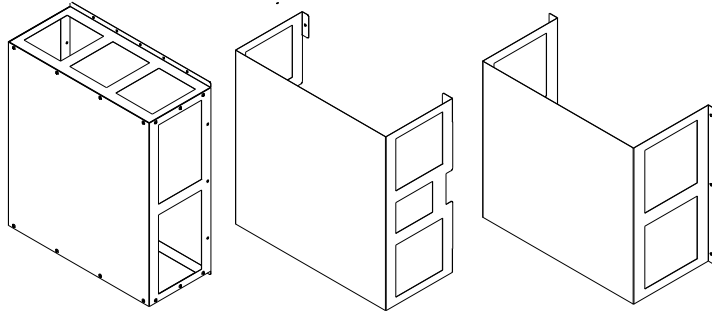
### Model number(s) on project

WBF-1M2		WBF-4M	
WBF-2M		WBF-5M	
WBF-2M-B		WBF-6M	
WBF-3M		WBF-7M	

### Baffle Compatibility

ODU Model Type	ODU Model	US Code	Baffle Model
Quantum	AR09KSFDPWQXCV	N/A	WBF-3M
	AR12KSFDPWQXCV	N/A	WBF-3M
	AR18KSFDPWQXCV	N/A	WBF-4M
	AR24KSFDPWQXCV	N/A	WBF-4M
Quantum 2.0	AR09TSFYBWKXCV	RXS09YBT	WBF-3M
	AR12TSFYBWKXCV	RXS12YBT	WBF-3M
	AR18TSFYBWKXCV	RXS18YBT	WBF-5M
	AR24TSFYBWKXCV	RXS24YBT	WBF-7M
Smart Pearl	AR09KSWDHWKXCV	N/A	WBF-3M
	AR12KSWDHWKXCV	N/A	WBF-3M
Smart Whisper	AR09KSWSJWKXCV	N/A	WBF-3M
	AR12KSWSJWKXCV	N/A	WBF-3M
	AR18KSWSJWKXCV	N/A	WBF-4M
	AR24KSWSJWKXCV	N/A	WBF-4M
Wind-Free™ RAC	AR09MSWXCWKXCV	N/A	WBF-3M
	AR12MSWXCWKXCV	N/A	WBF-3M
	AR18MSWXCWKXCV	N/A	WBF-5M
	AR24MSWXCWKXCV	N/A	WBF-2M-B
Wind-Free™ RAC 2.0	AR09TSFABWKXCV	RXS09ABT	WBF-3M
	AR12TSFABWKXCV	RXS12ABT	WBF-3M
	AR18TSFABWKXCV	RXS18ABT	WBF-7M
	AR24TSFABWKXCV	RXS24ABT	WBF-2M-B
MAX RAC	AQX36VFUAGM/CV	N/A	WBF-4M
Max Heat RAC	AR09KSWSPWKXCV	N/A	WBF-3M
	AR12KSWSPWKXCV	N/A	WBF-3M
	AR18NSWSPWKXCV	N/A	WBF-5M
	AR24NSWSPWKXCV	N/A	WBF-2M-B
Max Heat RAC 2.0	AR09TSFACWKXCV	RXS09ACT	WBF-3M
	AR12TSFACWKXCV	RXS12ACT	WBF-3M
	AR18TSFACWKXCV	RXS18ACT	WBF-7M
	AR24TSFACWKXCV	RXS24ACT	WBF-2M-B
FJM	AJ020JCJ2CH/AA	N/A	WBF-4M
	AJ024JCJ3CH/AA	N/A	WBF-4M
	AJ036JCJ5CH/AA	N/A	WBF-2M-B
FJM 2.0	AJ020TXJ2CH/AA	JXH20J2T	WBF-7M
	AJ024TXJ3CH/AA	JXH24J3T	WBF-7M
	AJ036TXJ4CH/AA	JXH36J4T	WBF-2M-B
	AJ048TXJ5CH/AA	JXH48J5T	WBF-1M2
FJM Max Heat	AJ020MCS3CH/AA	N/A	WBF-2M-B
	AJ024MCS4CH/AA	N/A	WBF-2M-B
	AJ030MCS4CH/AA	N/A	WBF-2M-B
FJM Max Heat 2.0	AJ020TXS3CH/AA	JXH20S3T	WBF-2M-B
	AJ024TXS4CH/AA	JXH24S4T	WBF-2M-B
	AJ030TXS4CH/AA	JXH30S4T	WBF-2M-B
	AJ036TXS4CH/AA	JXH36S4T	WBF-1M2
Standard CAC	AC009KXADCH/AA	N/A	WBF-3M
	AC012KXADCH/AA	N/A	WBF-3M
	AC018JXADCH/AA	N/A	WBF-4M
	AC018KXADCH/AA	N/A	WBF-4M
	AC024JXADCH/AA	N/A	WBF-2M-B
	AC030JXADCH/AA	N/A	WBF-2M-B
	AC036JXADCH/AA	N/A	WBF-1M2
	AC042JXADCH/AA	N/A	WBF-1M2
	AC048JXADCH/AA	N/A	WBF-1M2
	AC054KXADCH/AA	N/A	WBF-6M
	AC018MXSCCC/AA	N/A	WBF-5M
	AC024MXSCCC/AA	N/A	WBF-2M-B
CAC -40 Cooling	AC030MXSCCC/AA	N/A	WBF-2M-B
	AC036MXSCCC/AA	N/A	WBF-2M-B
	AC030JXSCCH/AA	N/A	WBF-6M
CAC Max Heat	AC036JXSCCH/AA	N/A	WBF-6M
	AM036*XMDC*/AA	N/A	WBF-1M2
DVM Eco	AM048*XMDC*/AA	N/A	WBF-1M2
	AM053*XMDC*/AA	N/A	WBF-1M2
	AM060*XMDC*/AA	N/A	WBF-6M

\*The Wind-Free™ unit delivers an air current that is under 0.15 m/s while in Wind-Free™ mode. Air velocity that is below 0.15 m/s is considered "still air" as defined by ASHRAE (American Society of Heating, Refrigerating, and Air-Conditioning Engineers).



### Specifications

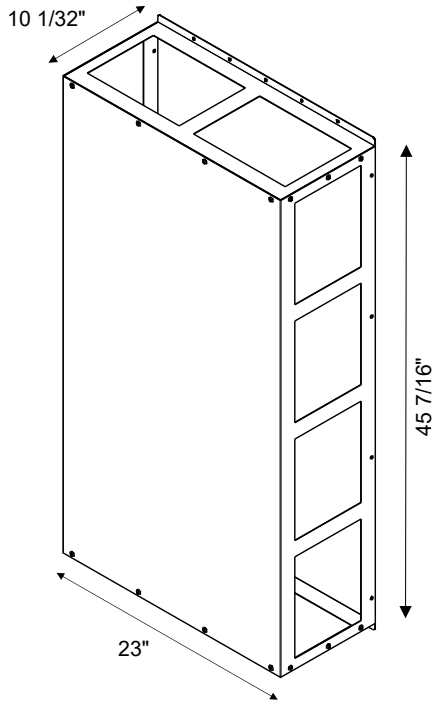
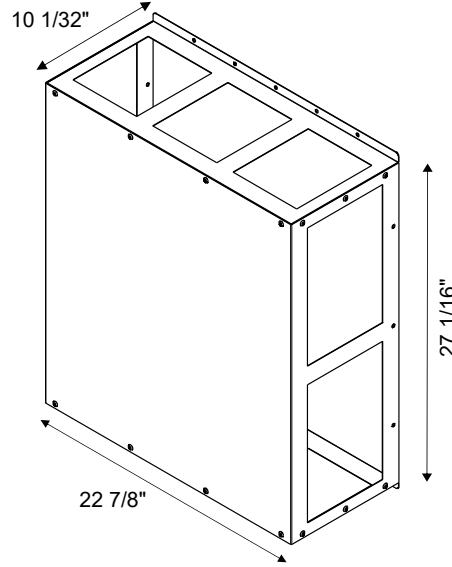
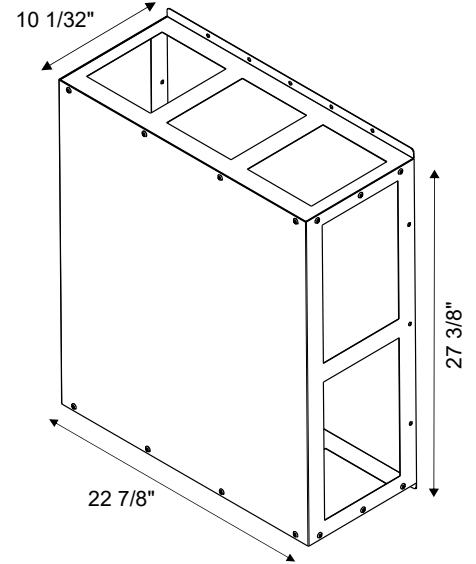
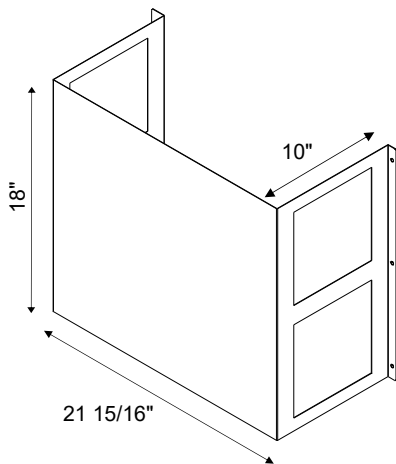
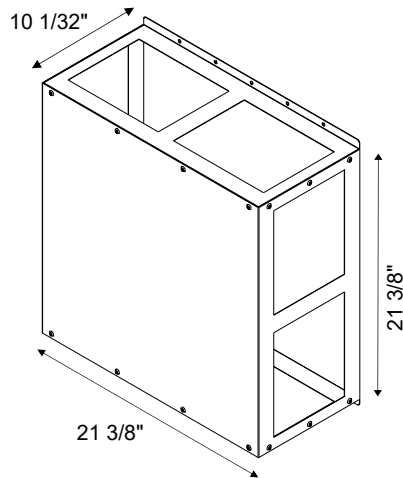
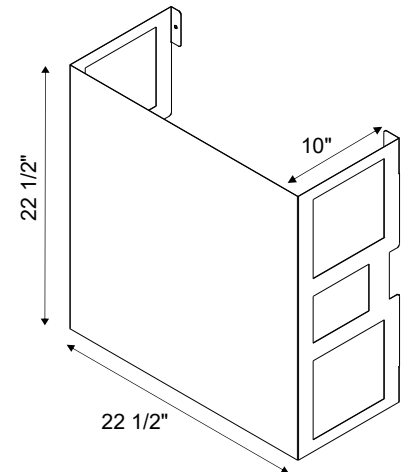
Designed to be placed on fan discharge side (front).

Note: A front shield is only required for applications where the outdoor unit is adjacent to a structure that would protect the intake side from prevailing wind. Applications without this protection would require a back shield (ex: roof top). Low ambient cooling applications will require both front and back baffles.

Material: Powder coated, galvanized steel

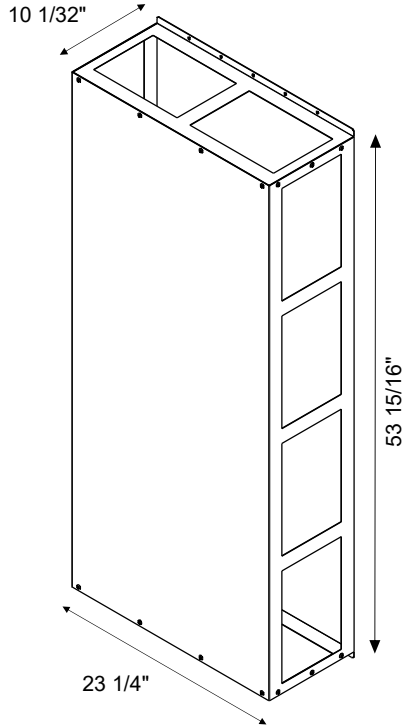
### Baffle Weight

Baffle Model	Weight (lbs.)
WBF-1M2	16.8
WBF-2M	11.13
WBF-2M-B	11.88
WBF-3M	5.61
WBF-4M	9.17
WBF-5M	7.43
WBF-6M	19.48
WBF-7M	9.86

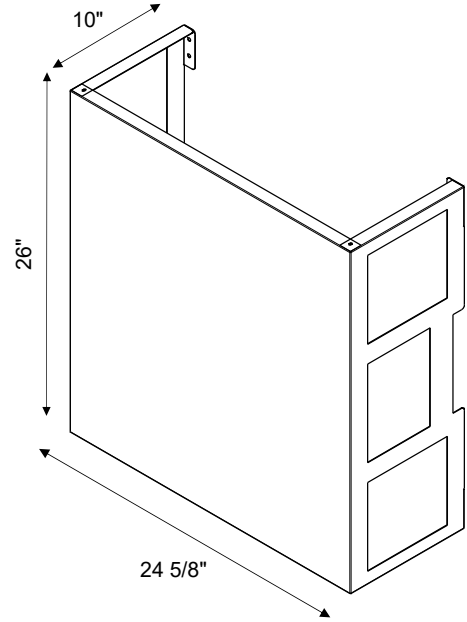
**WBF-1M2****WBF-2M****WBF-2M-B****WBF-3M****WBF-4M****WBF-5M**

*Individual drawings are not to scale. For reference only.*

### WBF-6M



### WBF-7M



*Individual drawings are not to scale. For reference only.*