



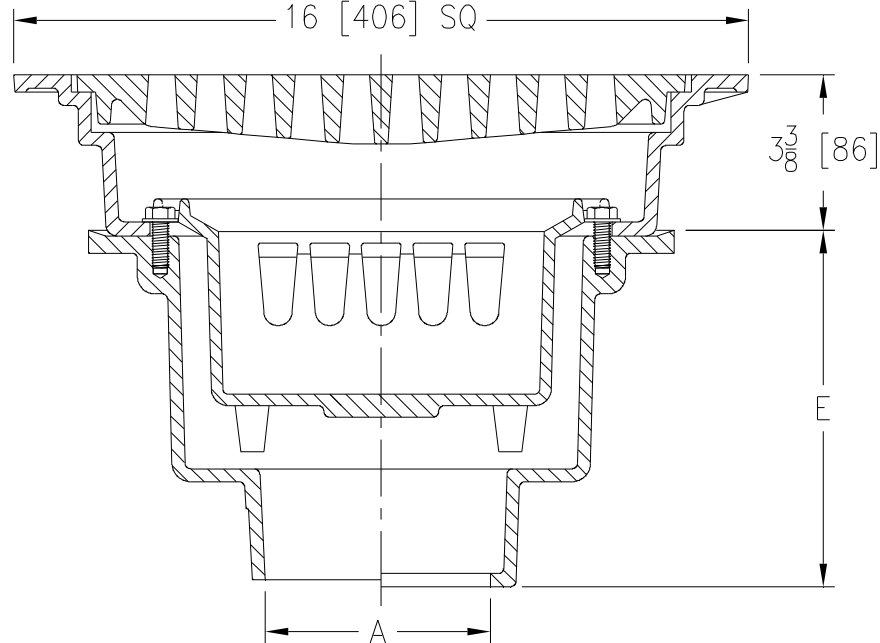
# Z662

## 16 [406] HEAVY-DUTY DRAIN

SPECIFICATION SHEET

TAG \_\_\_\_\_

Dimensional Data (inches and [ mm ]) are Subject to Manufacturing Tolerances and Change Without Notice



A Pipe Size In.[mm]	Approx. Wt. Lbs. [kg]	Grate Open Area Sq. In. [cm <sup>2</sup> ]
3, 4 [76, 102]	95 [43]	53 [342]
6 [152]	98 [44]	

### ENGINEERING SPECIFICATION: ZURN Z662

16" [406mm] Square top drain, Dura-Coated cast iron body with bottom outlet, seepage pan and combination membrane flashing clamp and frame for heavy-duty slotted loose grate with suspended sediment bucket.

### OPTIONS (Check/specify appropriate options)

#### PIPE SIZE

- 4, 6 [102, 152]
- 4, 6 [102, 152]
- 4, 6 [102, 152]
- 3, 4, 6 [76, 102, 152]
- 3, 4 [76, 102]

#### (Specify size/type) OUTLET

- \_\_\_ IC Inside Caulk
- \_\_\_ IG Inside Gasket
- \_\_\_ IP Threaded
- \_\_\_ NH No-Hub
- \_\_\_ NL Neo-Loc

#### 'E' BODY HT. DIM.

- 7-3/4 [197]
- 7-3/4 [197]
- 6-5/16 [160]
- 7-13/16 [198]
- 7-3/16 [183]

#### PREFIXES

- \_\_\_ Z D.C.C.I. Body and Top\*
- \_\_\_ ZB D.C.C.I Body w/ Polished Bronze Top (Add 3/16 [5] to 3-3/8 [86] and 11/16 [17] to 16 [406] Dim.)
- \_\_\_ ZN D.C.C.I Body w/ Polished Nickel Bronze Top (Add 3/16 [5] to 3-3/8 [86] and 11/16 [17] to 16 [406] Dim.)

#### SUFFIXES

- \_\_\_ -DG Duresist Grate
- \_\_\_ -G Galvanized Cast Iron
- \_\_\_ -HP Heel-Proof Grate
- \_\_\_ -LY (Less) Sediment Bucket
- \_\_\_ -PK Precast Kit
- \_\_\_ -SS Stainless Mesh Liner for Bucket
- \_\_\_ -TC Neo-Loc Test Cap Gasket  
(3, 4 [76, 102] NL Bottom Outlet Only)
- \_\_\_ -TS Top Secured with Slotted Screws
- \_\_\_ -VP Vandal-Proof Secured Top
- \_\_\_ -YA Aluminum Sediment Bucket

\* Regularly furnished unless otherwise specified.