

Type 1008A/AL Stainless Steel Metric Case Commercial Gauge



FEATURES

- 63mm (2½") and 100mm (4") case sizes
- Corrosion-resistant stainless steel case/ring
- Dry, field-fillable or liquid-filled versions
- Patented PowerFlex™ movement
- True Zero™ indication, a unique safety feature
- Two-year warranty on liquid-filled gauges

Ashcroft® Type 1008A gauges are synonymous with durability, flexibility and exceptional quality.

The Type 1008A case and ring assembly is constructed of durable, corrosion-resistant SS. The gauge enclosure is sealed to provide maximum protection in adverse environmental conditions. The core of the Type 1008A is the patented PowerFlex™ movement. This movement provides a higher level of resistance to shock, vibration and pulsation than conventional gauge movements.

Both 63mm and 100mm Type 1008A gauges are available dry, field fillable, glycerin filled or silicone filled. Weld nuts are standard on all back connection gauges, therefore, any back-connection gauge with the addition of a U-clamp accessory kit, can be panel mounted. For limited space constraints, the front-flange mounting kit is offered. Where it is necessary to convert a larger panel opening to a smaller size, the retrofit flange kit is available. Custom dials and metric sockets are also available.

True Zero™ indication, a unique safety feature standard on these gauges, is the accurate indication of zero pressure being applied to the gauge. In addition to the increased safety benefits, this means reduced inspection and manufacturing costs for you and your customer.

PRODUCT SPECIFICATIONS:

- Ashcroft® Model No.:** 1008A/AL
Size: 63mm (2½"), 100mm (4")
Case: 304 SS, dry (1008A) or liquid filled (1008AL)
Fill Fluid: Glycerin (20° to 150°F ambient; -7°C to 65°C)
Ring: 304 SS, crimped
Window: Polycarbonate
Dial: Black figures on white background, aluminum
Pointer: Black, aluminum
Bourdon Tube: – C-shaped Bronze (vac.-600 psi and compound)
 – Helical Bronze (1000 psi-6000 psi)
 – Helical stainless steel (10,000 psi-15,000 psi)
Movement: Patented PowerFlex™ movement
Socket: Brass, with O-ring case seal
Restrictor: Brass throttle plug, 0.013" orifice (except for vacuum 15 psi ranges)
Connection: ¼ NPT lower and back
Ranges: Vac. thru 15,000 psi and compound. Equivalent metric ranges available
Accuracy: ASME B40.100, Grade B, ±3-2-3%
Process Temp.: -40°F to 150°F, -40°C to 65°C (dry gauge)

OPTIONAL FEATURES:

- Case:** Sealed case, field fillable (LJ)
 Silicone filled (GV)
 (-40°F to 150°F; -40°C to 65°C)
Mounting Hardware: U-clamp (UC), Front flange (FF), Retrofit flange (RF)
Socket: Throttle Plugs, 0.007", 0.020", 0.063" JIS, DIN and other connections on application
Others: Customized dials, Nonstandard ranges, Special calibration on application FlutterGuard™ (eliminates rapid pointer flutter on most vibration/ pulsation applications – dry gauges only)

COMMONLY USED ON

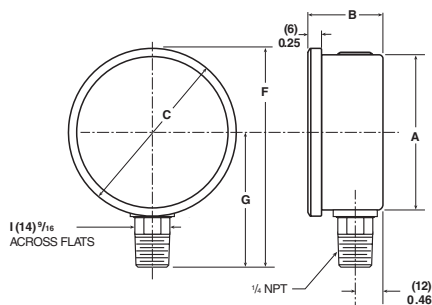
Hydraulic systems, machine tools, pressure washers/sprayers, compressors, irrigation equipment, a variety of other applications

HOW TO ORDER (Typical example)

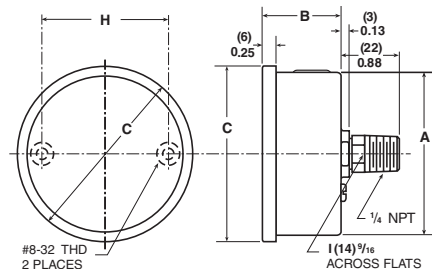
- Dial Size:** 63mm _____ 63
- Case Type Number:** 1008A _____ 1008A
- (SS case / bronze tube / brass socket / PowerFlex movement)
- Liquid Filled Case** _____ L
- Connection Size/Location:** ¼ NPT Lower _____ 02L
- Range:** 1000 psi _____ 1000#

Type 1008A/AL Stainless Steel Metric Case Commercial Gauge

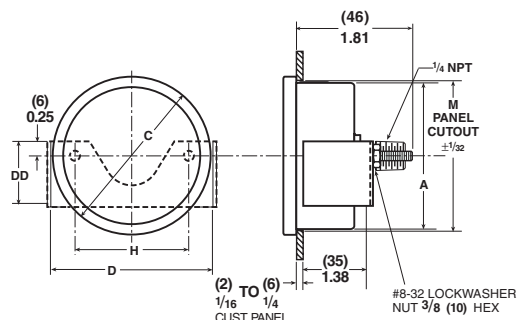
DIMENSIONS



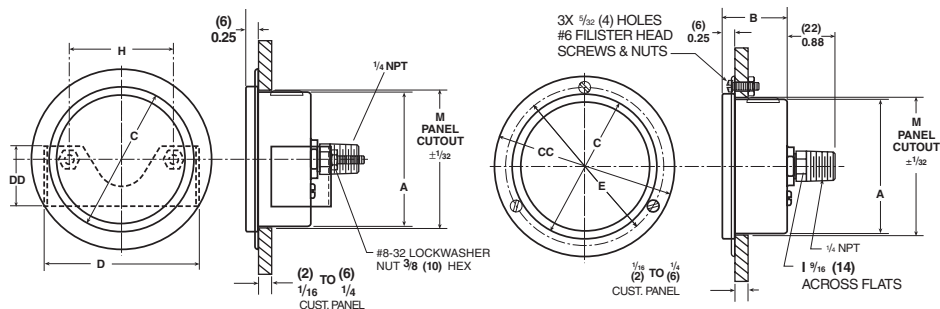
63/100mm 1008A/AL Lower Connection



63/100mm 1008A/AL Back Connection



63/100mm 1008A/AL Back Connection
(XUC) U-Clamp



63/100mm 1008A/AL Back Connection
(XRF) Front Flange Retrofit

63/100mm 1008A/AL Back Connection
(XFF) Front Flange

SIZE/TYPE	A	B	C	CC	D	DD	E	F	G	H	M	LOWER		BACK	
												Weight oz / kg Dry / Wet	Weight oz / kg Wet	Weight oz / kg Dry	Weight oz / kg Wet
63mm, 1008A/AL	(63) 2.48	(31) 1.21	(69) 2.71	(86) 3.36	(75) 2.95	(28) 1.12	(75) 2.95	(90) 3.54	(56) 2.20	(49) 1.94	(65) 2.54	3.88 oz 0.110 kg	7.48 oz 0.212 kg	4.09 oz 0.116 kg	7.69 oz 0.218 kg
100mm, 1008A/AL	(100) 3.94	(31) 1.24	(106) 4.16	(133) 5.22	(107) 4.20	(28) 1.12	(116) 4.57	(126) 4.96	(74) 2.92	(76) 3.00	(101) 3.97	8.11 oz 0.230 kg	15.80 oz 0.448 kg	7.13 oz 0.202 kg	14.82 oz 0.420 kg

Dimensions in (mm) inches.

Weight oz / kg