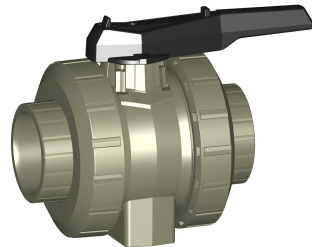
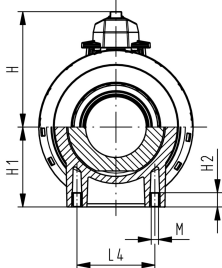
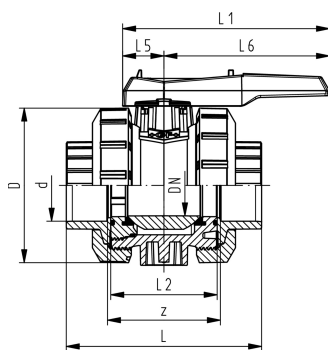
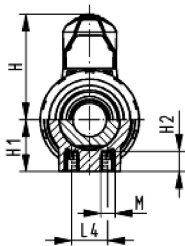
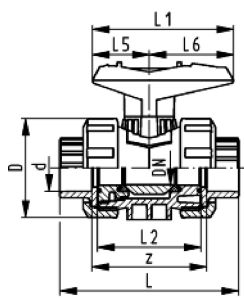


DN10/15 - 50



## Type 546 Ball Valve PROGEF Standard With mounting inserts With fusion sockets metric

d [mm]	EPDM code	FPM code	weight [lb]
16	167 546 401	167 546 411	0.254
20	167 546 402	167 546 412	0.271
25	167 546 403	167 546 413	0.406
32	167 546 404	167 546 414	0.569
40	167 546 405	167 546 415	0.994
50	167 546 406	167 546 416	1.360
63	167 546 407	167 546 417	2.491
75	167 546 408	167 546 418	7.352
90	167 546 409	167 546 419	12.125
110	167 546 410	167 546 420	19.180



d [mm]	D [mm]	H [mm]	H1 [mm]	H2 [mm]	L [mm]	L1 [mm]	L2 [mm]	L4 [mm]	L5 [mm]	L6 [mm]	M	z [mm]	closest inch [inch]
16	50	57	27	12	93	77	56	25	32	45	M6	67	3/8
20	50	57	27	12	95	77	56	25	32	45	M6	66	1/2
25	58	67	30	12	109	97	65	25	39	58	M6	77	3/4
32	68	73	36	12	119	97	71	25	39	58	M6	83	1
40	84	90	44	15	135	128	85	45	54	74	M8	99	1 1/4
50	97	97	51	15	147	128	89	45	54	74	M8	105	1 1/2
63	124	116	64	15	168	152	101	45	66	87	M8	117	2
75	166	149	85	15	233	270	136	70	64	206	M8	167	2 1/2
90	200	161	105	15	254	270	141	70	64	206	M8	180	3
110	238	178	123	22	301	320	164	120	64	256	M12	215	4

# Datasheet

gültig ab: 5/1/14



---

The technical data are not binding and not expressly warranted characteristics of the goods. They are subject to change. Our General Conditions of Sale apply.

Georg Fischer Piping Systems Ltd, Postfach, CH-8201 Schaffhausen/Switzerland Phone +41 -(0)52-631 1111 e-mail: info.ps@georgfischer.com Internet: <http://www.piping.georgfischer.com>