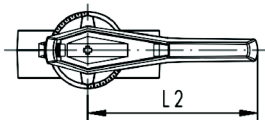
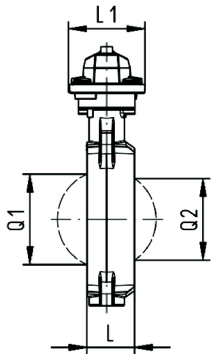
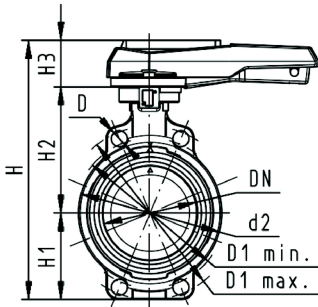




Type 567 Butterfly Valve PVC
Hand lever with ratchet settings

d (mm)	EPDM Part No.	FPM Part No.
63	161 567 002	161 567 022
75	161 567 003	161 567 023
90	161 567 004	161 567 024
110	161 567 005	161 567 025
140	161 567 006	161 567 026
160	161 567 007	161 567 027
225	161 567 008	161 567 028
280	161 567 009	161 567 029
315	161 567 010	161 567 030



The technical data are not binding. They neither constitute expressly warranted characteristics nor guaranteed properties nor a guaranteed durability. They are subject to modification. Our General Terms of Sale apply.

Georg Fischer Piping Systems Ltd, Postfach, CH-8201 Schaffhausen/Switzerland
 Phone +41 -(0)52-631 1111
 e-mail: info.ps@georgfischer.com
 Internet: <http://www.gfps.com>