

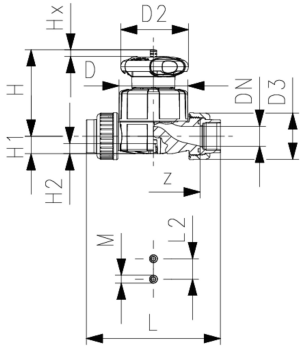
Type 514 Diaphragm Valve CPVC
Solvent cement socket ASTM

Model:

- Double flow rate compared to predecessor
- One housing nut replaces four screws
- Handwheel with built-in locking mechanism
- For easy installation and removal
- Short overall length

Option:

- Individual configuration of the valve (see diagram)
- Self adjusting multifunctional module with integrated limit switches



Size (inch)	EPDM Part No.	FPM Part No.	PTFE/EPDM Part No.
½	163 514 612	163 514 662	163 514 632
¾	163 514 613	163 514 663	163 514 633
1	163 514 614	163 514 664	163 514 634
1 ¼	163 514 615	163 514 665	163 514 635
1 ½	163 514 616	163 514 666	163 514 636
2	163 514 617	163 514 667	163 514 637

The technical data are not binding. They neither constitute expressly warranted characteristics nor guaranteed properties nor a guaranteed durability. They are subject to modification. Our General Terms of Sale apply.

Georg Fischer Piping Systems Ltd, Postfach, CH-8201 Schaffhausen/Switzerland
 Phone +41 -(0)52-631 1111
 e-mail: info.ps@georgfischer.com
 Internet: <http://www.gfps.com>