



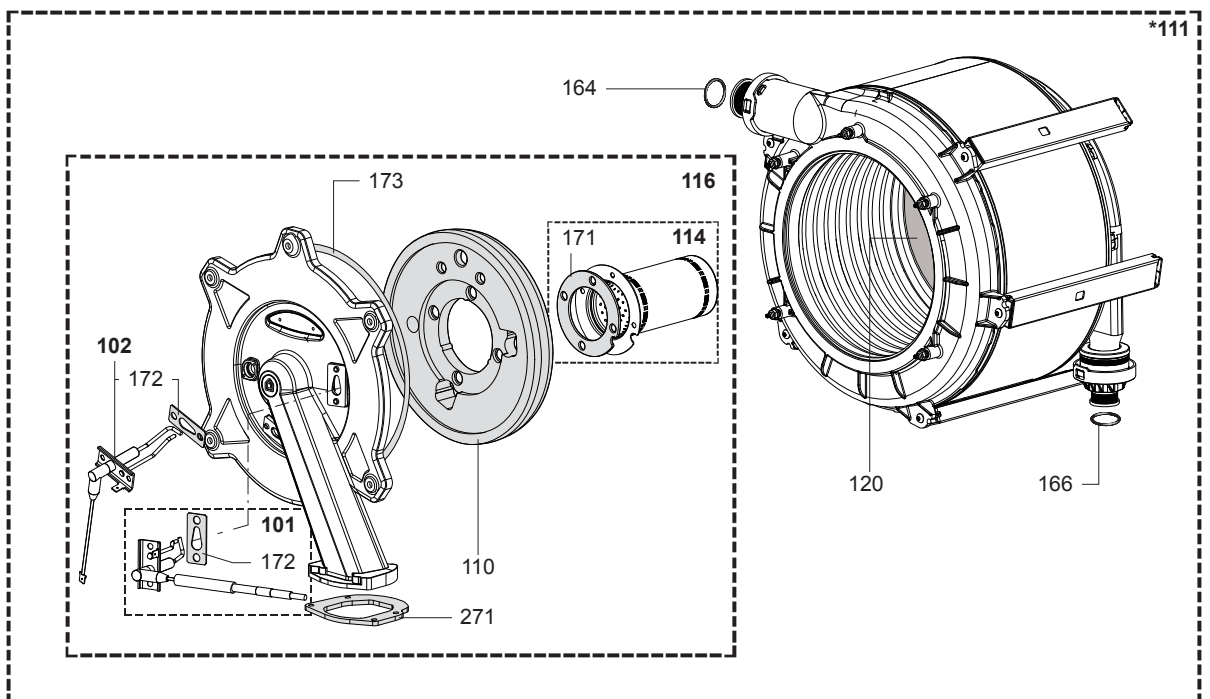
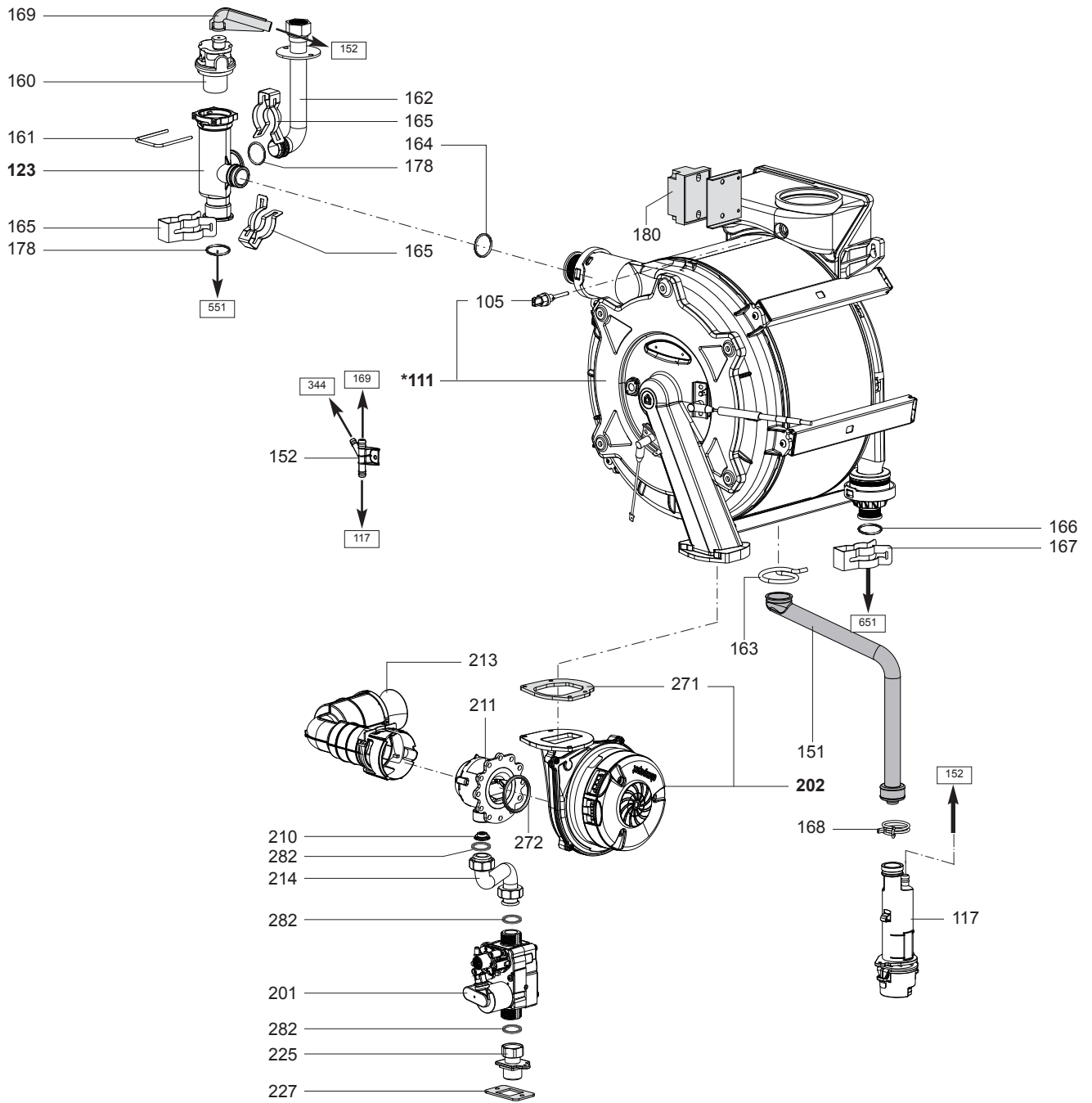
SPARE PARTS EXPLODED VIEW
GAS-WALL CONDENSING BOILERS

Model

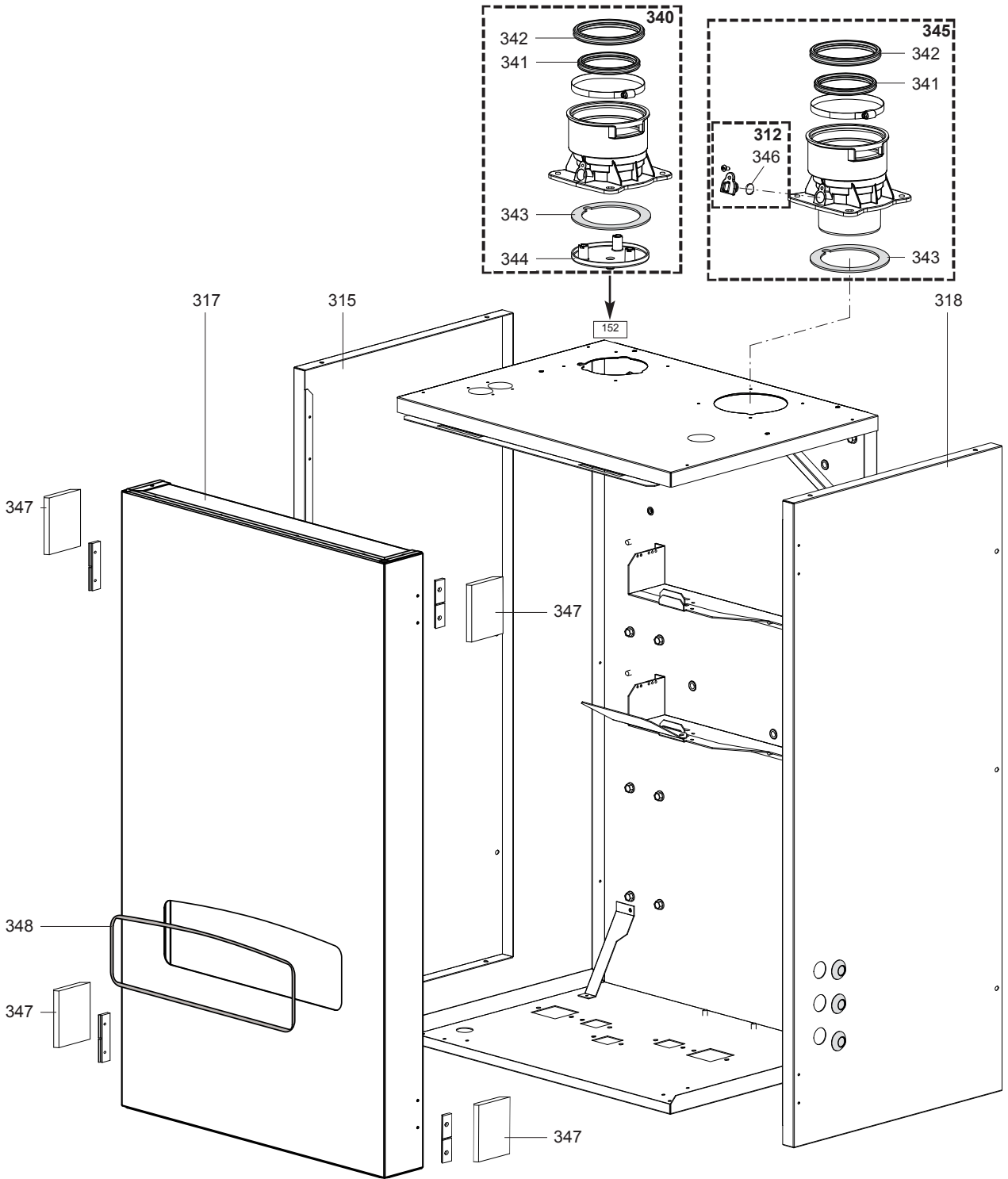
ELU-150WBN, ELU-199WBN, ELU-199WCN

R8218512-01 - 17/07/2020

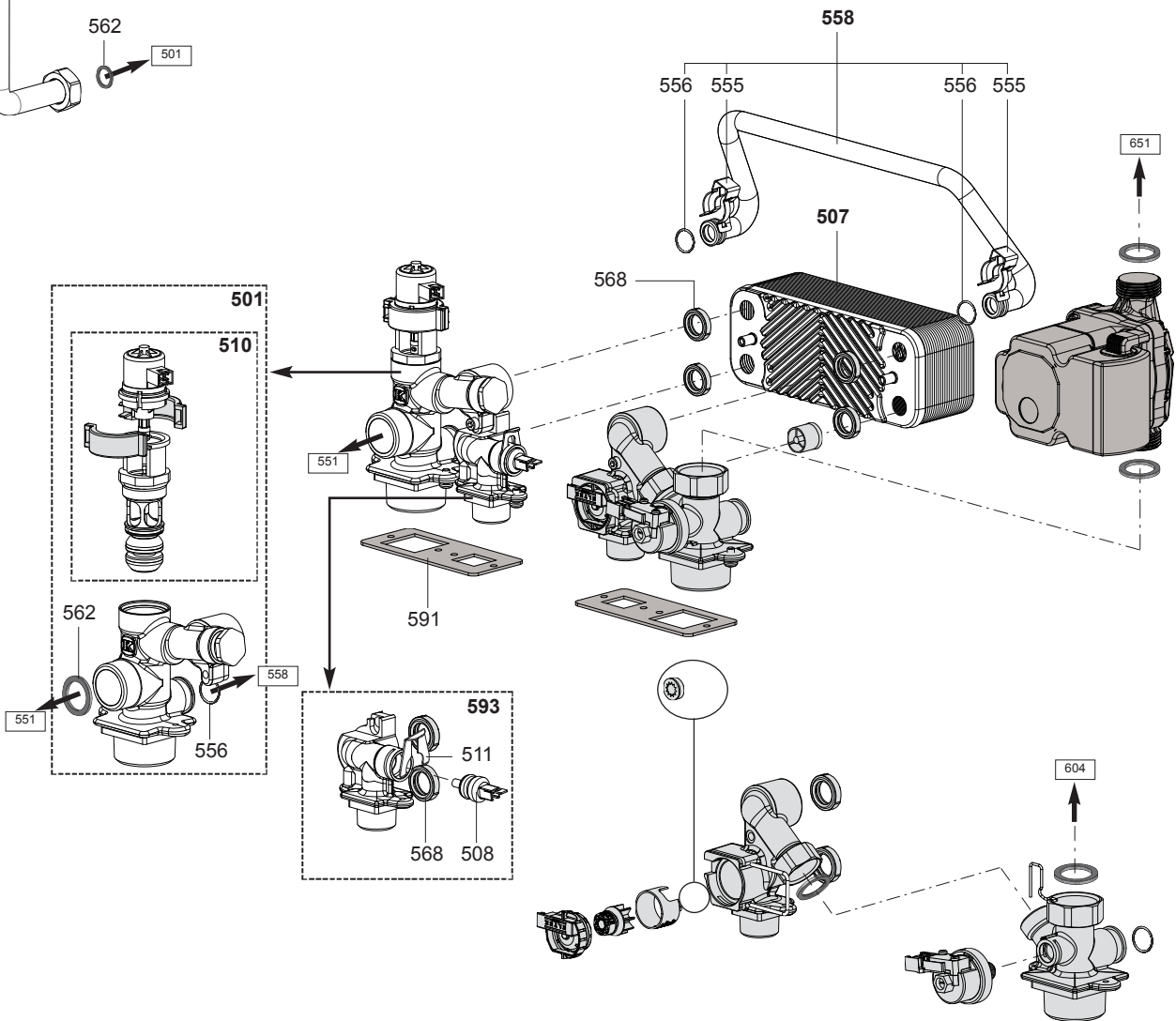
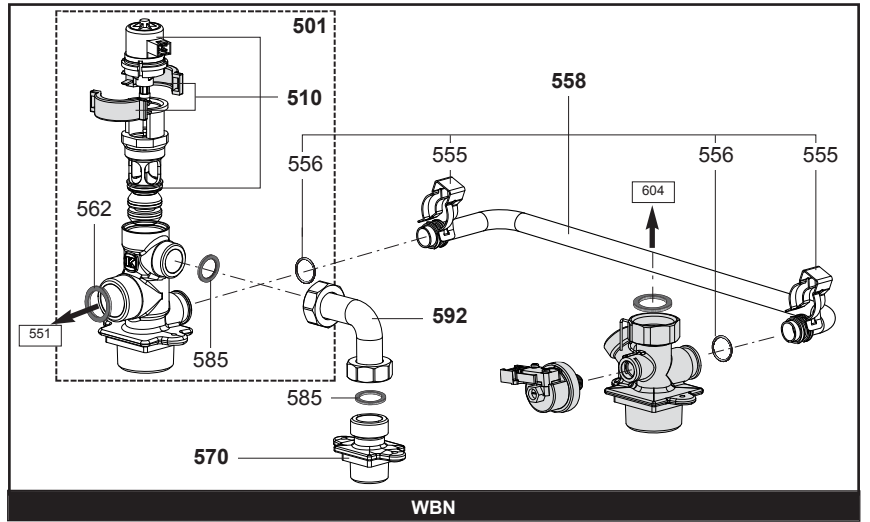
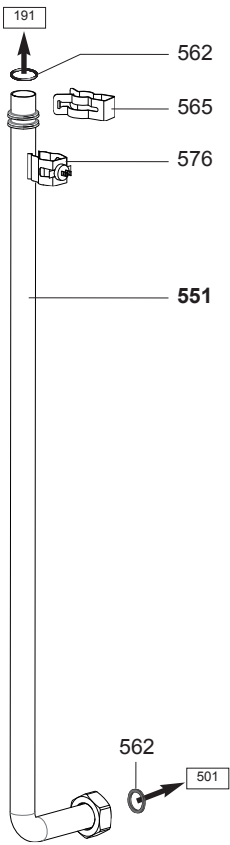
1	0ELU-150WBN	ELU-150WBN	08-2020	-
2	0ELU-199WBN	ELU-199WBN	08-2020	-
3	0ELU-199WCN	ELU-199WCN	08-2020	-
Col	Reference	Model type	Begin	End

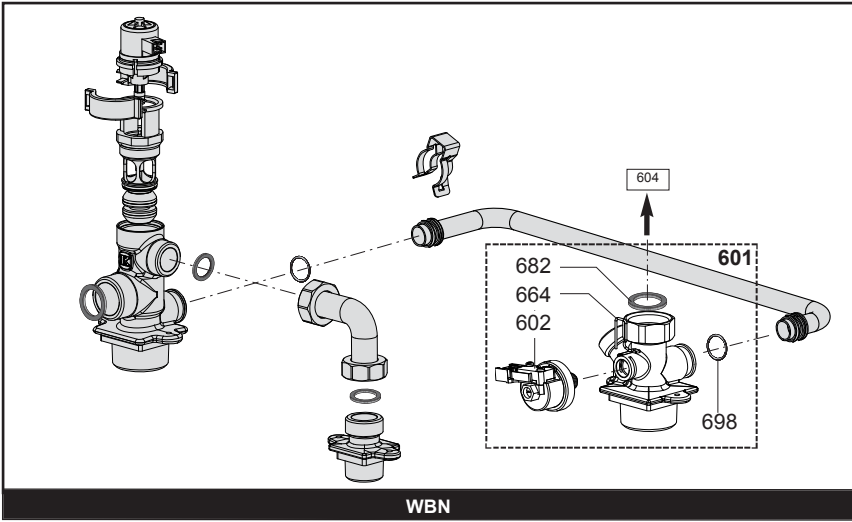
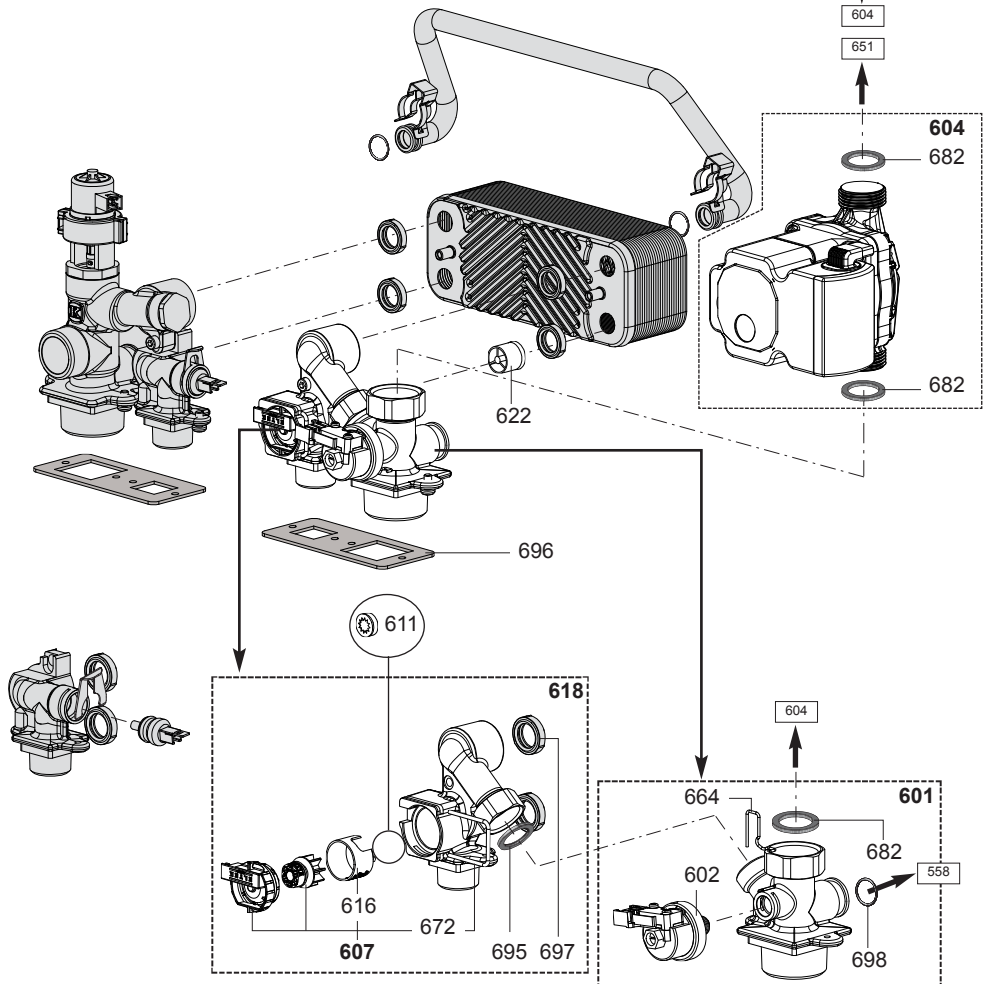
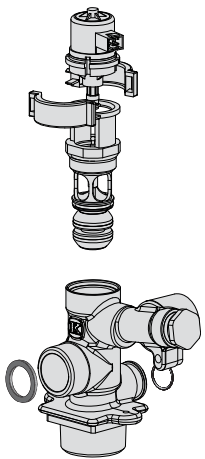


0100	EXCHANGER					
0101	IGNITION ELECTRODE	65118673		• • •		
0102	ELECTRODE (DETECTION)	64980115		• • •		
0105	FLUE PROBE 10K D4X39	65118667		• • •		
0110	INSULATION (BURNER DOOR)	64980114		• • •		
0111	HEAT EXCHANGER 45KW	64980086		•		
	HEAT EXCHANGER 60KW	64980087		• • •		
0114	BURNER 45KW	64980116		•		
	BURNER 60KW	64980118		• • •		
0116	DOOR ASSY	64980112		•		
	DOOR ASSY	64980117		• • •		
0117	CONDENSATE TRAP	64980193		• • •		
0120	INSULATION (REAR)	64980128		• • •		
0123	FLOW OUT DEAERATOR ASSEMBLY	64980147		• • •		
0151	RUBBER CONDENSATE DRAIN PIPE	64980177		• • •		
0152	COUPLING Y HOSE CONNECTOR	64980263		• • •		
0160	AUTO AIR VENT WITH O-RING	65104683		• • •		
0161	CLIP	64980149		• • •		
0162	PIPE (PRESSURE RELIEF VALVE)	64980180		• • •		
0163	HOSE CLAMP B-1952 (1-1/2 in x 0.162 in)	64980243		• • •		
0164	O-RING SEAL 25,07x2,62 EPDM	64980265		• • •		
0165	CLIP	64980179		• • •		
0166	O-RING 18X2,8	65116846		• • •		
0167	CLIP	60000309		• • •		
0168	HOSE CLAMP	60000533		• • •		
0169	SILICONE ELBOW	64980245		• • •		
0171	GASKET (BURNER)	65116521		• • •		
0172	GASKET (ELECTRODE)	64980262		• • •		
0173	DOOR GASKET	64980113		• • •		
0178	GASKET O-RING 21,82x3,53	64980261		• • •		
0180	SPARK GENERATOR	65119323		• • •		
0200	GAS SECTION					
0201	GAS VALVE	65118645		• • •		
0202	FAN	64980119		• • •		
	FAN	64980120		•		
0210	GAS DIAPHRAGM D: 5.70	60001940		• • •		
0211	MIXER 150 LP	64980106		•		
	MIXER 199-199C LP	64980108		• • •		
	MIXER, 150 NG	64980122		•		
	MIXER, 199-199C NG	64980123		• • •		
0213	SILENCER	64980127		• • •		
0214	PIPE (GAS VALVE-VENTURI)	64980129		•		
	PIPE (GAS VALVE-VENTURI)	64980130		• • •		
0225	BRASS CONNECTION M 3/4 NPT- FREE NUT 3/4	64980175		• • •		
0227	GASKET (GAS ADAPTER)	64980217		• • •		
0271	FAN GASKET	64980239		• • •		
	FAN GASKET	64980240		•		
0272	O-RING 165 NBR 70 Sh 61.91x3,53	60001878		• • •		
0282	SHEET GASKET D: 24-18.2-1.5	60022835-01		• • •		



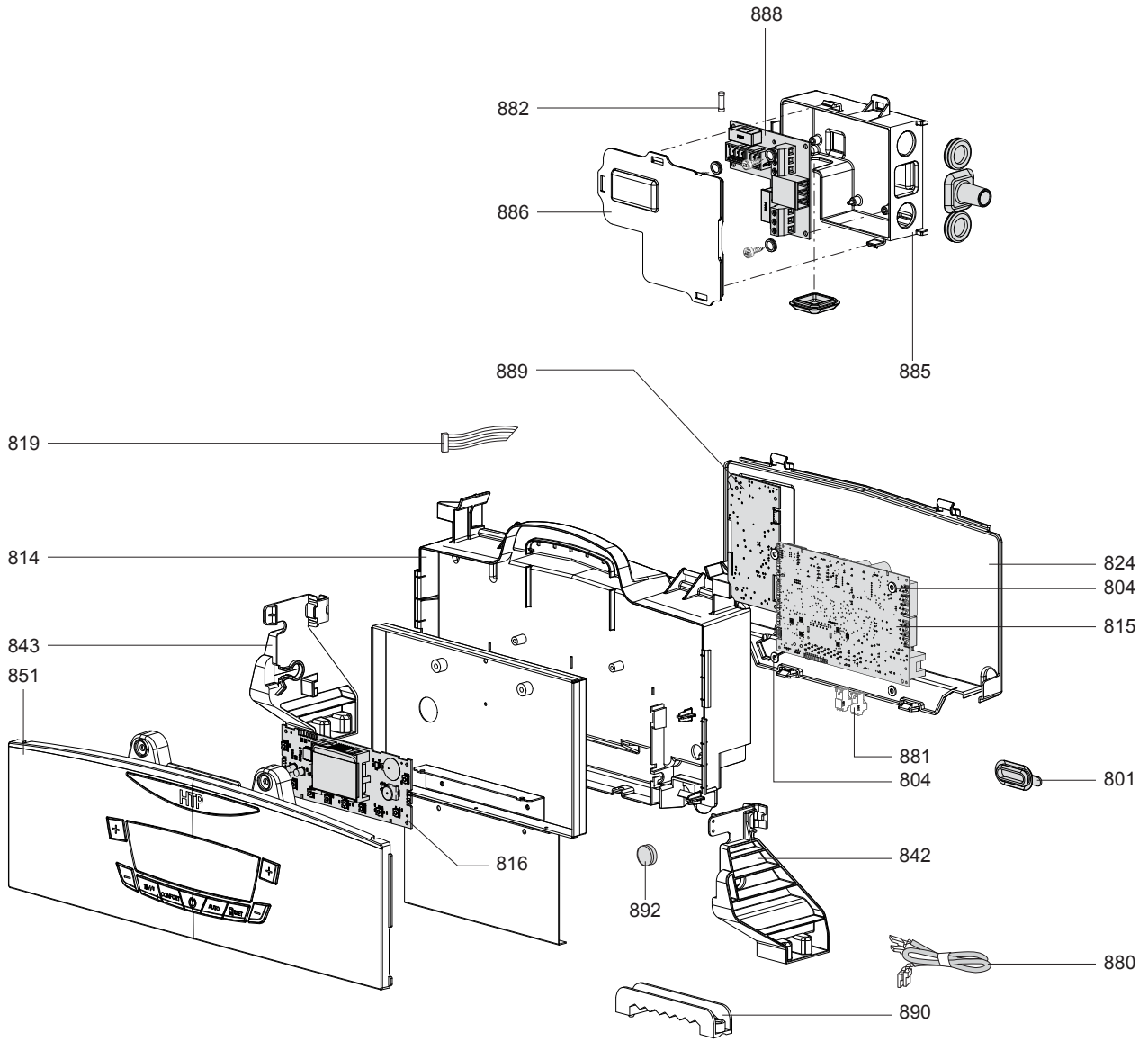
☺⇒	Description	Manf. Pt. N	Type	ELU-150WBN ELU-199WBN ELU-199WCN														31 From to					
				1	2	3	4	5	6	7	8	9	10	11	12	13	14	15	16	17	18	From	to
0300	CHASSIS-FRONT CASE																						
0312	FLUE TEST PORT PLUG	64980209		•	•	•																	
0315	PANEL (LEFT-SIDE-BLACK-LARGE)	64980227		•	•	•																	
0317	FRONT PANEL +TOP+BOTTOM (BLACK)	64980229		•	•	•																	
0318	PANEL (RIGHT-SIDE-BLACK-LARGE)	64980268		•	•	•																	
0340	ADAPTOR (AIR INLET)	64980206		•	•	•																	
0341	SEAL GASKET OUTLET 80	64980237		•	•	•																	
0342	GASKET D90 EPDM SH.A PEROX	64980207		•	•	•																	
0343	FOAM FLUE GAS ADAPTOR	64980208		•	•	•																	
0344	TRAY CONDENS	64980233		•	•	•																	
0345	ADAPTOR (FLUE OUTLET)	64980210		•	•	•																	
0346	O-RING SEAL 2,7X8,9 EPDM PEROX 70 Sh.	64980236		•	•	•																	
0347	DOOR LATCH	64980238		•	•	•																	
0348	TRIM (HTP HMI FRONT COVER)	64980205		•	•	•																	





WBN

☉⇒	Description	Manf. Pt. N	Type	<div style="display: flex; justify-content: space-between; align-items: center;"> <div style="transform: rotate(-45deg); font-size: small;"> ELU-150WBN ELU-199WBN ELU-199WCN </div> <div style="border: 1px solid black; padding: 2px;"> </div> </div>																		From	to
				1	2	3	4	5	6	7	8	9	10	11	12	13	14	15	16	17	18		
0600	RETURN GROUP																						
0601	GROUP (PUMP)	64980183		•	•																		
	GROUP (PUMP-COMBI)	64980221				•																	
0602	LOW PRESSURE SWITCH	65118663		•	•	•																	
0603	CLIP	60000309		•	•	•																	
0604	PUMP ES2 3VK 63-7C-C US	64980191		•	•	•																	
0607	FLOW METER	64980195					•																
0611	DHW FLOW RESTRICTORS (KIT)	64980196					•																
0616	DHW FILTER	64980266					•																
0618	GROUP (COLD WATER INLET)	64980220					•																
0622	BY-PASS	64980204		•	•	•																	
0651	PIPE (C.H. RETURN)	64980153		•	•	•																	
0664	CLIP	65104322		•	•	•																	
0670	TEMPERATURE PROBE + CLIP	990686-01		•	•																		
0672	CLIP (FLOW METER)	64980200					•																
0682	GASKET (PUMP)	64980157		•	•	•																	
0691	O-RING 18X2,8	65116846		•	•	•																	
0695	GASKET 3/4 in 24x15x2	64980201					•																
0696	GASKET (HYDROBLOCK)	64980250		•	•	•																	
0697	EXCHANGER GASKET	65114928					•																
0698	O-RING 13.95 X 2.62	64980202					•																

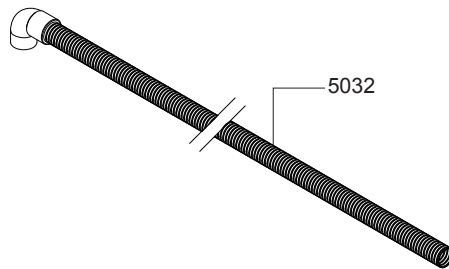
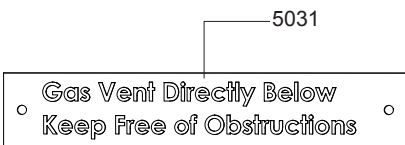
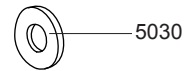
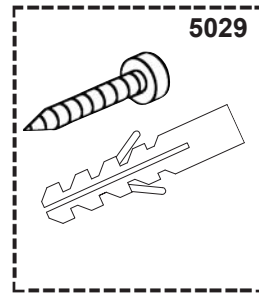
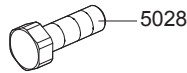
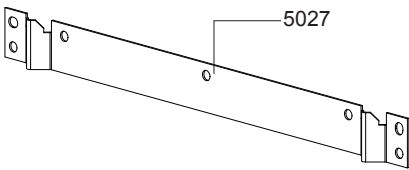
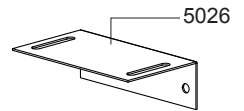
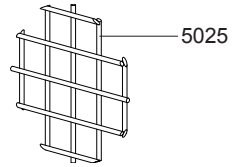
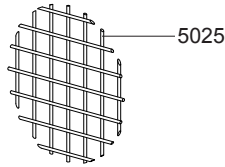
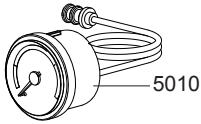
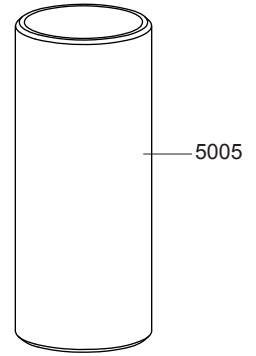
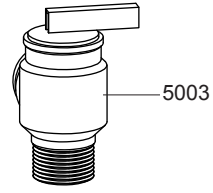
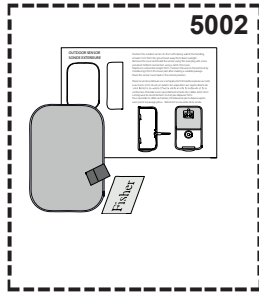
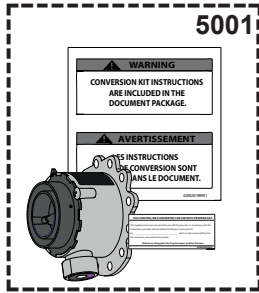


☉⇒	Description	Manf. Pt. N	Type	<div style="display: flex; justify-content: space-between; align-items: center;"> <div style="border: 1px solid black; padding: 2px; transform: rotate(-45deg); font-size: 8px;"> ELU-150WBN ELU-199WBN ELU-199WCN </div> <div style="border: 1px solid black; padding: 2px; font-size: 10px;"> 31 </div> </div>																		From	to
				1	2	3	4	5	6	7	8	9	10	11	12	13	14	15	16	17	18		
0800	ELECTRICAL BOX																						
0801	GROMMET (PCD TOOL ACCESS)	998382		•	•	•																	
0804	WASHER	65112054		•	•	•																	
0814	CONTROL PANEL BASE	64980075		•	•	•																	
0815	P.C.B. (MAIN)	64980224		•	•	•																	
0816	P.C.B. (DISPLAY)	64980226		•	•	•																	
0819	WIRING (WI-FI BOARD)	65119586		•	•	•																	
0824	CONTROL PANEL COVER	64980076		•	•	•																	
0842	CONTROL PANEL HINGE (R.H.Side)	64980234		•	•	•																	
0843	CONTROL PANEL HINGE (L.H.Side)	64980235		•	•	•																	
0851	ENCLOSURE (HMI)	64980247		•	•	•																	
0880	3-WAY VALVE CABLE	64980078																					
	3-WAY VALVE CABLE	65118657		•	•																		
	BLOWER POWER PIGTAIL (NRG118 TO NRG 128)	64980249								•	•												
	CABLE (BOILER POWER SUPPLY)	64980248		•	•	•																	
	CABLE (DETECTION ELECTRODE)	65118654		•	•	•																	
	CABLE (FAN-POWER SUPPLY)	65118655		•	•	•																	
	CABLE (FUME PROBE)	64980081		•	•	•																	
	CABLE (PUMP 5M PWM TACO)	65118695		•	•	•																	
	CABLE (PWM)	64980079		•	•	•																	
	CABLE (SPARK GENERATOR)	64980080		•	•	•																	
	DISPLAY WIRING	64980077		•	•	•																	
	GAS VALVE CABLE	65118652		•	•	•																	
	WIRING (PUMP+JUN.BOX+MAIN BOARD)	64980085		•	•	•																	
0881	CONNECTOR 2P	65111933		•	•	•																	
0885	JUNCTION BOX BASE	65118661		•	•	•																	
0886	JUNCTION BOX COVER	65118662		•	•	•																	
0888	P.C.B. (JUNCTION BOX)	65118660		•	•	•																	
0889	P.C.B. (WIFI-REM3)	65118649		•	•	•																	
0890	CABLE CLAMP	65103377		•	•	•																	
0892	GROMMET 1 in	64980267		•	•	•																	

ELU-150WBN, ELU-199WBN, ELU-199WCN

Gas-wall condensing boilers

5022

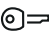







		EN		DE		NL		
		FR		ES		IT		
0101	65118673	IGNITION ELECTRODE ELECTRODE ALLUMAGE		ZUNDELEKTRODE ELECTRODO DE ENCENDIDO		ELECTRODE ONTSTEEKING ELETTRODO D'ACCENSIONE		1
0102	64980115	ELECTRODE (DETECTION) ELECTRODE IONISATION		UBERWACHUNGSSELEKTRODE ELECTRODO DE DETECCION		ELECTRODE IONISATIE ELETTRODO DI RILEVAZIONE		1
0105	65118667	FLUE PROBE 10K D4X39 SONDE FUMÉE 10K D4X39		RAUCHSONDE 10K D4X39 SONDA DE HUMO 10K D4X39		ROOK SENSOR SONDA FUMI 10K D4X39		1
0110	64980114	INSULATION (BURNER DOOR) PANNEAU ISOLEMENT		ISOLIERUNGSPANEEL PANEL AISLANTE		PANNEAU ISOLEMENT PANNELLO ISOLANTE		1
0111	64980086	HEAT EXCHANGER 45KW ECHANGEUR 45KW		AUSTAUSCHER 45KW INTERCAMBIADOR 45KW		WARMTEWISSELAAR 45KW SCAMBIATORE 45KW		1
	64980087	HEAT EXCHANGER 60KW ECHANGEUR 60KW		AUSTAUSCHER 60KW INTERCAMBIADOR 60KW		WARMTEWISSELAAR 60KW SCAMBIATORE 60KW		1
0114	64980116	BURNER 45KW BRULEUR 45KW		BRENNER 45KW QUEMADOR 45KW		BRANDER 45KW BRUCIATORE 45KW		1
	64980118	BURNER 60KW BRULEUR 60KW		BRENNER 60KW QUEMADOR 60KW		BRANDER 60KW BRUCIATORE 60KW		1
0116	64980112	DOOR ASSY PORTE EQUIPEE		FRONTABDECKUNG KOMPLETT PUERTA EQUIPADA		DEUR COMPLEET SPORTELLO COMPLETO		1
	64980117	DOOR ASSY PORTE EQUIPEE		FRONTABDECKUNG KOMPLETT PUERTA EQUIPADA		DEUR COMPLEET SPORTELLO COMPLETO		1
0117	64980193	CONDENSATE TRAP SIPHON		SIPHON SIFON ANTICONDENSACION		SIFON SIFONE SCARICO CONDENSA		1
0120	64980128	INSULATION (REAR) PANNEAU ISOLEMENT		ISOLIERUNGSPANEEL PANEL AISLANTE		PANNEAU ISOLEMENT PANNELLO ISOLANTE POSTERIORE		1
0123	64980147	FLOW OUT DEAERATOR ASSEMBLY ENSEMBLE DÉAÉRATEUR FLOW OUT		AUSLASS-ENTLÜFTUNGS-MONTAGE PURGADOR DE AIRE		STROMING MONTAGE VAN DEAERATOR VALVOLA SFIATO ARIA		1
0151	64980177	RUBBER CONDENSATE DRAIN PIPE TUYAU (VIDANGE DE CONDENSAT)		ROHR (KONDENSATABLAUF) TUBO (DRENAJE DE CONDENSADO)		PIJP (CONDENSAATAFVOER) TUBO SCARICO CONDENSA		1
0152	64980263	COUPLING Y HOSE CONNECTOR COUPLAGE ET CONNECT.DE TUYAU		KUPPLUNG DES SCHLAUCHANSCHLUS. CONECTOR DE ACOPL.Y MANGUERA		KOPPELING VAN DE SLANGCONNECTOR CONNETTORE TUBI Y		1
0160	65104683	AUTO AIR VENT WITH O-RING PURGEUR D'AIR AVEC O-RING		LUFTABLASSVENTIL + O-RING PURGADOR DE AIRE COMPLETA+OR		ONTLUCHTINGSKLEP MET O-RING VALVOLA SFOGO ARIA + O-RING		1
0161	64980149	CLIP CLIP		CLIP CLIP		KLEM CLIP		1
0162	64980180	PIPE (PRESSURE RELIEF VALVE) TUBE SOUPEPE DE SECURITE		SICHERHEITSENTILROHR TUBO VALVULA DE SEGURIDAD		BUIS VEILIGHEIDSKLEP TUBO VALVOLA DI SICUREZZA		1
0163	64980243	HOSE CLAMP B-1952 (1-1/2 in x 0.162 in) COLLIER DE TUYAU B-1952		SCHLAUCHKLEMME B-1952 ABRAZADERA DE MANGUERA		SLANGKLEM B-1952 (1-1/2 in x 0.162 in) CLAMP TUBO B-1952 (1-1/2 in x 0.162 in)		0
0164	64980265	O-RING SEAL 25,07x2,62 EPDM JOINT TORIQUE 25,07x2,62 EPDM		DICHTUNG O-RING 25,07x2,62 EPDM ANILLO O-RING 25,07x2,62 EPDM		O-RING SEAL 25,07x2,62 EPDM O-RING 25,07x2,62 EPDM		0
0165	64980179	CLIP CLIP		CLIP CLIP		KLEM CLIP		1
0166	65116846	O-RING 18X2,8 JOINT TORIQUE D: 18-2.8		O-RING D: 18-2.8 JUNTA TORICA D: 18-2.8		DICHTINGSRING D: 18-2.8 ANELLO OR D: 18-2.8		1
0167	60000309	CLIP CLIP		CLIP CLIP		KLEM CLIP		1
0168	60000533	HOSE CLAMP COLLIER SUR DURIT		SCHELLE AUF HARTGUMMIRING ABRAZADERA DURITE		KLEM MET RUBBER COLLARE SU FLESSIBILE		1
0169	64980245	SILICONE ELBOW COUDE SILICONE		SILIKON-ELLENBOGEN CODO DE SILICONA		SILICONE ELLEBOOG GOMITO SILICONE		1
0171	65116521	GASKET (BURNER) JOINT DE FORME		FORMDICHTUNG JUNTA		DICHTING GUARNIZIONE		1
0172	64980262	GASKET (ELECTRODE) JOINT ELECTRODE		DICHTUNG (ELEKTRODE) JUNTA (ELECTRODO)		DICHTING (ELEKTRODE) GUARNIZIONE ELETTRODO		1
0173	64980113	DOOR GASKET JOINT DE PORTE		TUERDICHTUNG JUNTA PUERTA		DICHTING SILICOON CORDA SILICONATA		1
0178	64980261	GASKET O-RING 21,82x3,53 JOINT TORIQUE 21,82x3,53		DICHTUNG O-RING 21,82x3,53 JUNTA TÓRICA 21,82x3,53		PAKKING O-RING 21,82x3,53 GUARNIZIONE O-RING 21,82x3,53		0
0180	65119323	SPARK GENERATOR TRANSFORMATEUR D'ALLUMAGE		ZUNDTRAFO ENCENDEDOR		ONTSTEEKINGSTRANSFORMATOR ACCENDITORE		1
0201	65118645	GAS VALVE VALVE GAZ		GASVENTIL VALVULA GAS		GASBLOK VALVOLA GAS		1
0202	64980119	FAN VENTILATEUR		LAUFRAD HELICE VENTILADOR		VENTILATOR VENTILATORE		1
	64980120	FAN VENTILATEUR		LAUFRAD HELICE VENTILADOR		VENTILATOR VENTILATORE		1
0210	60001940	GAS DIAPHRAGM D: 5.70 DIAPHRAGME GAZ D: 5.70		GASBLLENDE D:5.70 DIAFRAGMA GAS D: 5.70		DIAFRAGMA GAS D: 5.70 DIAFRAMMA GAS D: 5.70		1
0211	64980106	MIXER 150 LP MIXER 150 LP		MIXER 150 LP MIXER 150 LP		MIXER 150 LP MIXER 150 GPL		1
	64980108	MIXER 199-199C LP MIXER 199-199C LP		MIXER 199-199C LP MIXER 199-199C LP		MIXER 199-199C LP MIXER 199-199C GPL		1

		EN		DE		NL		
		FR		ES		IT		
	64980122	MIXER, 150 NG MIXER, 150 NG		MIXER, 150 NG MIXER, 150 NG		MIXER, 150 NG MIXER, 150 NG		1
	64980123	MIXER, 199-199C NG MIXER, 199-199C NG		MIXER, 199-199C NG MIXER, 199-199C NG		MIXER, 199-199C NG MIXER, 199-199C NG		1
0213	64980127	SILENCER SILENCIEUX		SCHALLDAMPFE SILENCIADOR		SILENCER SILENZIATORE		1
0214	64980129	PIPE (GAS VALVE-VENTURI) TUYAU (VANNE DE GAZ-VENTURI)		ROHR (GASVENTIL-VENTURI) TUBO (VÁLVULA DE GAS-MIXER)		PIJP (GASKLEP-VENTURI) TUBO VALV.GAS-MIXER		1
	64980130	PIPE (GAS VALVE-VENTURI) TUYAU (VANNE DE GAZ-VENTURI)		ROHR (GASVENTIL-VENTURI) TUBO (VÁLVULA DE GAS-MIXER)		PIJP (GASKLEP-VENTURI) TUBO VALV.GAS-MIXER		1
0225	64980175	BRASS CONNECT.M 3/4 NPT-FREE NUT 3/4 RACCORD M 3/4 NPT-ECROU SANS 3/4		MESSINGANSCH.M 3/4 NPT-FREIE MUTTER 3/4 CONEX.M 3/4 NPT-TUERCA LIBRE 3/4		AANSLUIT.MESS.M 3/4 NPT-VRIJE MOER 3/4 RACCORDO M 3/4NPT-3/4 G		1
0227	64980217	GASKET (GAS ADAPTER) JOINT (ADAPTATEUR GAZ)		DICHTUNG (GASADAPTER) JUNTA (ADAPTADOR DE GAS)		DICHTING (GASADAPTER) GUARNIZIONE ADATTATORE GAS		0
0271	64980239	FAN GASKET JOINT VENTILATEUR		DICHTUNG, GEBLASE JUNTA VENTILADOR		DICHTING VENTILATOR GUARNIZIONE VENTILATORE		0
	64980240	FAN GASKET JOINT VENTILATEUR		DICHTUNG, GEBLASE JUNTA VENTILADOR		DICHTING VENTILATOR GUARNIZIONE VENTILATORE		0
0272	60001878	O-RING 165 NBR 70 Sh 61.91x3,53 JOINT TORIQUE 165 NBR 70 Sh 61.9		O-RING 165 NBR 70 Sh 61.91x3,53 O-RING 165 NBR 70 Sh 61.91x3,53		O-RING 165 NBR 70 Sh 61.91x3,53 O-RING 165 NBR 70 Sh 61.91x3,53		1
0282	60022835-01	SHEET GASKET D: 24-18.2-1.5 JOINT PLAT D: 24-18.2-1.5		DICHT.SCHEIBE D: 24-18.2-1.5 JUNTA PLANA D: 24-18.2-1.5		DICHTING VLAK D. 24-18.2-1.5 GUARNI. PIANA D: 24-18.2-1.5		10
0312	64980209	FLUE TEST PORT PLUG BOUCHON DE PRISE FUMEE		STOPFEN ABGAS-U. ZULUFTMES.KUNST. TAPON TOMA HUMOS		STOP ROOKGASMEETNIPPELS TAPPO ANALISI FUMI + O-RING		1
0315	64980227	PANEL (LEFT-SIDE-BLACK-LARGE) PANNEAU CÔTÉ GAUCHE NOIR (GRAND)		PANEL (LINKS SEITE-SCHWARZ-GROSS) PANEL LADO IZQDO NEGRO (GRANDE)		PANEEL (LINKERKANT-ZWART-GROOT) PANNELLO LAT.SX NERO (GRANDE)		0
0317	64980229	FRONT PANEL +TOP+BOTTOM (BLACK) PANNEAU AVANT+HAUT+BAS (NOIR)		VORDERE VERKLEID.+OBEN+UNTEN (SCHWARZ) PANEL FR.+SUPER.+INFER.(NEGRO)		VOORPANEEL + BOVEN + ONDER (ZWART) PANNELLO FR.+TOP+FONDO NERI		0
0318	64980268	PANEL (RIGHT-SIDE-BLACK-LARGE) PANNEAU CÔTÉ DROIT NOIR (GRAND)		PANEL (RECHTS-SCHWARZ-GROSS) PANEL DCHO LADO NEGRO (GRANDE)		PANEEL (RECHTERKANT-ZWART-GROOT) PANNELLO LAT.DX NERO (GRANDE)		0
0340	64980206	ADAPTOR (AIR INLET) ADAPTATEUR D'ENTRÉE D'AIR		ADAPTER, LUFT EINGAANG ADAPTADOR DE ENTRADA DE AIRE		LUCHTINLAAT ADAPTER ADATTATORE INGRESSO ARIA		1
0341	64980237	SEAL GASKET OUTLET 80 JOINT DE SORTIE 80		DICHTUNGS AUSGANG 80 JUNTA DE SALIDA 80		PAKKING UITLAAT 80 GUARNIZIONE D80 USCITA FUMI		1
0342	64980207	GASKET D90 EPDM SH.A PEROX JOINT D90 EPDM SH.A PEROX		DICHTUNG D90 EPDM SH.A PEROX JUNTA D90 EPDM SH.A PEROX		DICHTING D90 EPDM SH.A PEROX GUARNIZIONE D90 EPDM SH.A PEROX		1
0343	64980208	FOAM FLUE GAS ADAPTOR MOUSSE ADAPTAT.DE GAZ DE FUMÉE		DICHTUNG ABGASBOGEN ESPUMA DE ADAPT.DE GASES DE GOMA		SCHUIMKANAALADAPTER GUARNIZIONE COLLETTORE FUMI		1
0344	64980233	TRAY CONDENS PLATEAU CONDENS		TABLETT KONDENSAT BANDEJA CONDENS		LADE CONDENS VASSOIO CONDENSA		1
0345	64980210	ADAPTOR (FLUE OUTLET) ADAPTATEUR, SORTIE DE FUMÉE		ADAPTER, RAUCH AUSGANG ADAPTADOR, SALIDA DE HUMO		ADAPTER, ROOKUITGANG ADATTATORE USCITA FUMI		1
0346	64980236	O-RING SEAL 2,7X8,9 EPDM PEROX 70 Sh. JOINT TOR.2,7X8,9 EPDM PEROX 70 Sh.		NDDICHTRING 2,7X8,9 EPDM PEROX 70 Sh. JUNTA TOR.2,7X8,9 EPDM PEROX 70 Sh.		DICHTINGSRING 2,7X8,9 EPDM PEROX 70 Sh. O-RING 2,7X8,9 EPDM PEROX 70 Sh.		1
0347	64980238	DOOR LATCH FERMETURE DU PANNEAU		PANELSCHLIUSSUNG CIERRE DEL PANEL		PANEEL SLUITING CHIUSURA MANTELLO		0
0348	64980205	TRIM (HTP HMI FRONT COVER) FENÊTRE DE PUP.PANNEAU AVANT		LEISTE HTP VORDERER MANTEL PLACA PANEL FRONTAL HTP		HTP-PLAAT VOORKAP MOSTRINA HTP MANT.FRONTALE		0
0501	64980182	GROUP (3 WAY VALVE-SYSTEM) GROUPE VALVE 3 VOIES-SYSTEM		GRUPPE (3-WEGE-VENTIL-SYSTEM) GRUPO VÁLVULA 3 VÍAS SYSTEM		GROEP (3 MANIEREN KLEP-SYSTEM) GRUPPO VALVOLA 3 VIE		1
	64980199	GROUP (3 WAY VALVE) GROUPE DE VANNES À 3 VOIES		GRUPPE (3-WEGE-VENTIL) GRUPO DE VÁLVULAS DE 3 VÍAS		GROEP (3-WEGS KLEP) GRUPPO VALVOLA 3 VIE		1
0507	64980203	SANITARY HEAT EXCHANGER (27 P.) ECHANGEUR SANITAIRE 27 PLAQUES		PLATTENWAERMETAUSCHER INTERCAMBIADOR SANITARIO 27		WARMTEWISSELAAR SANITAIR 27 PLATEN SCAMBIATORE SANITARIO 27 PIASTRE		1
0508	65104338-01	NTC PROBE SONDE NTC		FUHLER SONDA NTC		VOELER NTC SONDA NTC		1
0510	64980198	MOTOR + CARTRIDGE 3 WAY VALVE KIT KIT MOTEUR+CLAPET DE VANNE 3 V.		MOTOR MIT VERSCHLUSS VENTIL 3-W. KIT MOTOR+GRUPO 3 VÍAS DE VALV		MOTOR + KLEP - 3 WEGKLEP KIT MOTORE+OTTURAT VALV 3 VIE		1
0511	65104339	CLIP D:12 CLIP D:12		KLAMMER D:12 CLIP D:12		KLEM D:12 CLIP D:12		1
0551	64980151	PIPE (CH OUTLET-45KW) TUBE DEPART CHAUFFAGE 45KW		VORLAUFROHR 45KW TUBO ENVÍO 45KW		BUIS VERTREK VERWARMING 45KW TUBO MANDATA 45KW		1
	64980152	PIPE (CH OUTLET-60KW) TUBE DEPART CHAUFFAGE 60KW		VORLAUFROHR 60KW TUBO ENVÍO 60KW		BUIS VERTREK VERWARMING 60KW TUBO MANDATA 60KW		1
0555	64980186	CLIP (BY-PASS PIPE-SYSTEM) CLIP (TUYAU BY-PASS)		CLIP (BY-PASS-ROHR) CLIP TUBO BY-PASS		CLIP (BY-PASS BUIS) CLIP TUBO BY-PASS		1
0556	64980202	O-RING 13.95 X 2.62 JOINT TORIQUE D: 13.95 X 2.62		NDDICHTRING D: 13.95 X 2.62 JUNTA TORICA D: 13.95 X 2.62		DICHTINGSRING D: 13.95 X 2.62 ANELLO OR 13.95 X 2.62		1
0558	64980187	BY-PASS PIPE TUBE BY-PASS		BYPASS-ROHR TUBO BY-PASS		BUIS BY-PASS TUBO BY-PASS		1
	64980197	BY-PASS PIPE TUBE BY-PASS		BYPASS-ROHR TUBO BY-PASS		BUIS BY-PASS TUBO BY-PASS		1

☰	XXXXXXXX	EN	DE	NL	X
		FR	ES	IT	
0565	64980179	CLIP CLIP	CLIP CLIP	KLEM CLIP	1
0568	65114928	EXCHANGER GASKET JOINT ECHANGEUR	DICHTUNG WARMETAUSCHER JUNTA INTERCAMBIADOR	DICHTING WISSELAAR GUARNIZIONE SCAMBIATORE	5
0570	64980188	CONNECTION M 3/4 NPT - M 3/4 G RACCORD M 3/4 NPT - M 3/4 G	ANSCHLUSS M 3/4 NPT - M 3/4 G. CONEXIÓN M 3/4 NPT - M 3/4 G	AANSLUITING M 3/4 NPT - M 3/4 G RACCORDO M 3/4 NPT - M 3/4 G	1
0576	990686-01	TEMPERATURE PROBE + CLIP SONDE NTC + CLIPS KIT	NTC-SONDE MIT CLIPS KIT SONDA NTC + CLIPS KIT	VOELER NTC + KLEM KIT SONDA NTC + CLIPS KIT	1
0585	64980192	GASKET EPDM 5/8 in ID X 0.94 in OD JOINT EPDM 5/8 in ID X 0.94 in OD	DICHTUNG EPDM 5/8 in ID X 0.94 in OD JUNTA EPDM 5/8 in ID X 0.94 in OD	DICHTING EPDM 5/8 in ID X 0.94 in OD GUARNIZIONE EPDM 5/8 in ID X 0.94 in OD	1
0591	64980250	GASKET (HYDROBLOCK) JOINT HYDROBLOC	DICHTUNG (HYDROBLOCK) JUNTA (HIDROBLOQUE)	DICHTING (HYDROBLOCK) GUARNIZIONE GRUPPO IDRAULICO	0
0592	64980189	PIPE (CH OUTLET) TUBE DEPART CHAUFFAGE	VORLAUFROHR TUBO ENVÍO	BUIS VERTREK VERWARMING TUBO MANDATA	1
0593	64980194	GROUP (DHW OUTLET) HAUSWASSERAUSGANGSGRUPPE	HAUSWASSERAUSGANGSGRUPPE GRUPO SAL.DE AGUA CAL.SANITARIA	GROEP (SHW OUTLET) GRUPPO USCITA ACQUA SANITARIA	1
0594	64980261	GASKET O-RING 21,82x3,53 JOINT TORIQUE 21,82x3,53	DICHTUNG O-RING 21,82x3,53 JUNTA TÓRICA 21,82x3,53	PAKKING O-RING 21,82x3,53 GUARNIZIONE O-RING 21,82x3,53	0
0601	64980183	GROUP (PUMP) GROUPE POMPE	PUMPENGRUPPE GRUPO DE BOMBA	GROEP (POMP) GRUPPO POMPA	1
	64980221	GROUP (PUMP-COMBI) GROUPE POMPE	PUMPENGRUPPE GRUPO DE BOMBA	GROEP (POMP) GRUPPO POMPA	1
0602	65118663	LOW PRESSURE SWITCH DETECTEUR DE PRESSION	DRUCKWAECHTER PRESOSTATO DE MÍNIMA	DRUKSCHAKELAAR MINIMUM PRESSOSTATO DI MINIMA	1
0603	60000309	CLIP CLIP	CLIP CLIP	KLEM CLIP	1
0604	64980191	PUMP ES2 3VK 63-7C-C US POMPE ES2 3VK 63-7C-C US	PUMPE ES2 3VK 63-7C-C US BOMBA ES2 3VK 63-7C-C US	POMP ES2 3VK 63-7C-C US POMPA ES2 3VK 63-7C-C US	1
0607	64980195	FLOW METER CARTOUCHE DEBITMETRE KIT	UMSCHALTER HEIZUNG / SANITAR KIT OBTURADOR CALEFAC./SANIT.	DEBIETMETER FLOW SWITCH SANITAIR FLUSSOSTATO SANITARIO	1
0611	64980196	DHW FLOW RESTRICTORS (KIT) LIMITEURS DE DEBIT KIT	TUELLESET REDUCTOR (KIT)	DEBIETBEGRENZER (KIT) LIMITATORI DI PORTATA (KIT)	1
0616	64980266	DHW FILTER FILTRE À EAU	WASSERFILTER FILTRO DE AGUA	WATER FILTER FILTRO ACQUA	1
0618	64980220	GROUP (COLD WATER INLET) GROUPE D'ENTRÉE D'EAU FROIDE	GRUPPE (KALTWASSER EINLASS) GRUPO DE ENTRADA DE AGUA FRÍA	INLAATGROEP KOUD WATER GRUPPO ENTRATA ACQUA FREDDA	1
0622	64980204	BY-PASS BY-PASS	BY-PASS BY-PASS	BY-PASS BY-PASS	1
0651	64980153	PIPE (C.H. RETURN) TUBE RETOUR CHAUFFAGE	RUCKLAUFROHR TUBO RETORNO INSTALACION	BUIS RETOUR VERWARMING TUBO RITORNO	1
0664	65104322	CLIP CLIP	KLAMMER PUMPE CLIP	KLEM CLIP	1
0670	990686-01	TEMPERATURE PROBE + CLIP SONDE NTC + CLIPS KIT	NTC-SONDE MIT CLIPS KIT SONDA NTC + CLIPS KIT	VOELER NTC + KLEM KIT SONDA NTC + CLIPS KIT	1
0672	64980200	CLIP (FLOW METER) CLIP INTERRUPTEUR DE DÉBIT	CLIP (DURCHFLUSSSCHALTER) CLIP INTERRUPTOR DE FLUJO	CLIP (STROOMSCHAKELAAR) CLIP FLUSSIMETRO	1
0682	64980157	GASKET (PUMP) JOINT POMPE	DICHTUNG PUMPE JUNTA BOMBA	AFDICHTING POMP GUARNIZIONE POMPA	1
0691	65116846	O-RING 18X2,8 JOINT TORIQUE D: 18-2.8	O-RING D: 18-2.8 JUNTA TORICA D: 18-2.8	DICHTINGSRING D: 18-2.8 ANELLO OR D: 18-2.8	1
0695	64980201	GASKET 3/4 in 24x15x2 JOINT 3/4 in 24x15x2	DICHTUNG 3/4 in 24x15x2 KIT - JUNTA 3/4 in 24x15x2	AFDICHTING 3/4 in 24x15x2 GUARNIZIONE 3/4 in 24x15x2	1
0696	64980250	GASKET (HYDROBLOCK) JOINT HYDROBLOC	DICHTUNG (HYDROBLOCK) JUNTA (HIDROBLOQUE)	DICHTING (HYDROBLOCK) GUARNIZIONE GRUPPO IDRAULICO	0
0697	65114928	EXCHANGER GASKET JOINT ECHANGEUR	DICHTUNG WARMETAUSCHER JUNTA INTERCAMBIADOR	DICHTING WISSELAAR GUARNIZIONE SCAMBIATORE	5
0698	64980202	O-RING 13.95 X 2.62 JOINT TORIQUE D: 13.95 X 2.62	NDDICHTRING D: 13.95 X 2.62 JUNTA TORICA D: 13.95 X 2.62	DICHTINGSRING D: 13.95 X 2.62 ANELLO OR 13.95 X 2.62	1
0801	998382	GROMMET (PCD TOOL ACCESS) JOINT ENTREE REGULATION	GUMMIABDECKUNG POTENTIOMETER JUNTA	DICHTING GOMMINO ACCESSO REGOLAZIONE	5
0804	65112054	WASHER RONDELLE	SCHEIBE ARANDELA	RONDEL RONDELLA	1
0814	64980075	CONTROL PANEL BASE PORTE INSTRUMENTS	INSTRUMENTENHALTER FRONTAL	BEHUIZING BEDIENINGSPANEEL PORTASTRUMENTI	1
0815	64980224	P.C.B. (MAIN) CIRCUIT IMPRIME PRINCIPAL	ELEKTROHAUPTPLATINE CIRCUITO PRINCIPAL	PRINTKAART SCHEDE PRINCIPALE	1
0816	64980226	P.C.B. (DISPLAY) CIRCUIT IMPRIME D'AFFICHAGE	DISPLAYPLATINE CIRCUITO DISPLAY	PRINT DISPLAY SCHEDE DISPLAY	1
0819	65119586	WIRING (WI-FI BOARD) CABLAGE (CIRCUIT WIFI)	WIRING (WIFI BOARD) INSTALACION EL.(CIRCUITO WIFI)	ELEKTRISCHE BEDRADING (PRINT WIFI) CABLAGGIO SCHEDE WIFI	1
0824	64980076	CONTROL PANEL COVER COUVERCLE ARR.TABLEAU COMM.	RUCKWARTIGER DECKEL, FRONTBLENDE TAPA POST.PANEL DE MANDOS	HOUDER STUURPRINT COPERCHIO BOX	1

	XXXXXXXX	EN	DE	NL	X
		FR	ES	IT	
0842	64980234	CONTROL PANEL HINGE (R.H.Side) SUPPORT (droit)	TRAGER SOPORTE	SUPPORT SUPPORTO DX	1
0843	64980235	CONTROL PANEL HINGE (L.H.Side) SUPPORT (gauche)	TRAGER SOPORTE	SUPPORT SUPPORTO SX	1
0851	64980247	ENCLOSURE (HMI) TABLEAU DE COMMANDE	FRONTBLLENDE FRONTAL	BEDIENINGSPANEEL FRONTALINO	1
0880	64980077	DISPLAY WIRING CABLAGE AFFICHEUR	DISPLAY VERBINDUNGSKABEL CABLEADO DISPLAY	DISPLAY WIRING CABLAGGIO DISPLAY	1
	64980078	3-WAY VALVE CABLE CABLAGE VANNE 3 VOIES	KABEL 3-WEGEVENTIL CABLEADO VALVULA DE TRES VIAS	BEDRADING DRIEWEG KLEP CABLAGGIO VALVOLA A 3 VIE	1
	64980079	CABLE (PWM) CABLAGE PWM	VERBINDUNG PWM CABLEADO PWM	Cablage PWM CABLAGGIO PWM	1
	64980080	CABLE (SPARK GENERATOR) CÂBLE (GÉNÉRATEUR D'ÉTINCELLES)	KABEL (ZUNDTRAFO) CABLE (GENERADOR DE CHISPA)	KABEL (VONKENGEBERATOR) CABLAGGIO ACCENDITORE	1
	64980081	CABLE (FUME PROBE) CABLE DE SONDE D'ÉCHAPPEMENT	ABGAS SONDE VERLÄNGERUNGSKABEL CABLE DE SONDA DE HUMO	VERLENGINGSKABEL ROOK SONDE CAVO SONDA FUMI	1
	64980085	WIRING (PUMP+JUN.BOX+MAIN BOARD) CABLE POMPE+JUN.BOX+CARTE EL.	KABEL PUMPE+JUN.BOX+ELEKTR.PL. CABLE BOMBA+JUN.BOX+TARJETA EL.	BEDRADING POMP+JUN.BOX+EL.KARTE CAVO POMPA+JUN.BOX+SCHEDA PR.	1
	64980248	CABLE (BOILER POWER SUPPLY) CABLE (ALIMENT.DE LA CHAUDIERE)	KABEL (KESSEL-STROMVERSORGUNG) CABLE DE ALIMENT.DE LA CALDERA	KABEL (STROOMVOORZIENING) CAVO ALIMENTAZIONE CALDAIA	1
	64980249	BLOWER POWER PIGTAIL (NRG118 TO NRG 128) ADAPT.DE CABLE DE VENT.(118->128)	KABEL (VENTILATOR-STROMVERSORG.) CABLE DE ALIMENT.DE VENTILADOR	VENTILATORKABELADAPT.(NRG118->NRG128) CAVO ADATTATORE VENTILATORE	1
	65118652	GAS VALVE CABLE CABLAGE VANNE GAZ	KABEL ZUNDER CABLEADO VALVULA GAS	BEDRADING GASBLOK CABLAGGIO VALVOLA GAS	1
	65118654	CABLE (DETECTION ELECTRODE) CABLAGE ELECTRODE IONISATION	IONISATIONS KABEL CABLE ELECTRODO DE DETECCION	CABLE (DETECTION ELECTRODE) CAVO ELETTRODO RILEVAZIONE	1
	65118655	CABLE (FAN-POWER SUPPLY) CABLE (ALIMENTATION DE VENTILAT.)	KABEL (VENTILATOR-STROMVERSORG.) CABLE DE ALIMENTAC.DE VENTILAD.	KABEL (FAN-VOEDING) CAVO ALIMENTAZIONE VENTILATORE	1
	65118657	3-WAY VALVE CABLE CABLAGE VANNE 3 VOIES	KABEL 3-WEGEVENTIL CABLEADO VALVULA DE TRES VIAS	BEDRADING DRIEWEG KLEP CABLAGGIO VALVOLA A 3 VIE	1
	65118695	CABLE (PUMP 5M PWM TACO) CABLE POMPE 5M PWM TACO	VERKABELUNG PUMPE 5M PWM TACO CABLEADO BOMBA 5M PWM TACO	BEDRADING POMP 5M PWM TACO CAVO POMPA 5M PWM TACO	1
0881	65111933	CONNECTOR 2P CONNECTEUR 2 POLES	STECKER 2-POLIG CONECTOR 2P	STEKKER 2-POLIG CONNETTORE 2 POLI	5
0885	65118661	JUNCTION BOX BASE COUVERCLE FIXE (BOITE DE JONCT.)	FESTE ABDECKUNG (JUNKTIONSKASTEN) CUBIERTA FIJA (CAJA DE JUNTOS)	VASTE COVER (VERBINDINGSBOX) FONDO JUNCTION BOX	1
0886	65118662	JUNCTION BOX COVER COUVERCLE (BOITE DE JONCTION)	ABDECKUNG (JUNKTIONSKASTEN) CUBIERTA (CAJA DE JUNTOS)	DEKKING (JUNCTION BOX) COPERCHIO JUNCTION BOX	1
0888	65118660	P.C.B. (JUNCTION BOX) CIRCUIT CLIP-IN LOADS NA	LEITERPLATTE CLIP-IN LOADS NA CIRCUITO ELECTR.CLIP-IN LOADS NA	PRINTKAART (CLIP IN LOADS NA) SCHEDA CLIP-IN LOADS NA	1
0889	65118649	P.C.B. (WIFI-REM3) CIRCUIT IMPRIME REM 3	ELEKTROPLATINE (REM3) CIRCUITO REM3	PRINTKAART REM3 SCHEDA REM3	1
0890	65103377	CABLE CLAMP PASSE CABLE PRESSOSTAT	KABELKLEMME SUJETA-CABLE	KABELDOORVOER DRUKSCHAKELAAR PRESSACAVO	1
0892	64980267	GROMMET 1 in OEILLET 1 in	TÜLLE 1 in OJAL 1 in	DOORVOERTULE 1 in GOMMINO 1 in	0
5001	64980259	LP CONVERSION KIT 150 WT EQT TRANSF. G31 150 WT	F-GAS-UMSTELLSET G31 150 WT KIT TRANSFORM.G31 150 WT	OMBOUWSET G31 150 WT TRASFORMAZIONE G31 150 WT	0
	64980260	LP CONVERSION KIT 199-199C WT EQT TRANSF. G31 199-199C WT	F-GAS-UMSTELLSET G31 199-199C WT KIT TRANSFORM.G31 199-199C WT	OMBOUWSET G31 199-199C WT HTP TRASFORMAZIONE G31 199-199C WT	0
5002	64980218	OUTDOOR SENSOR SONDE EXTERIEURE FILAIRE	AUSSENFUEHLER SONDA EXTERNA CON CABLES	BUITENVOELER SONDA ESTERNA CON CAVI	1
5003	65118683	PRESSURE RELIEF VALVE SOUPAPE DE SECURITE	SICHERHEITSENTIL VALVULA DE SEGURIDAD	VEILIGHEIDSGROEP VALVOLA DI SICUREZZA	1
5005	64980094	PIPE 3 in, SYSTEM 636, 5 in LONG TUYAU 3 in, SYSTÈME 636, 5 in LONG	ROHR 3 IN, SYSTEM 636, 5 IN LANG TUBO DE 3 in, SIST.636, 5 in LAR	BUIS 3 in, SYSTEEM 636, 5 in LANG TRONCHETTO CPVC 3 in L=5 in	0
5010	65118685	PRESSURE/TEMPERATURE GAUGE MANOMETRE / THERMOMETRE	THERMOHYDROMETER TERMOMANOMETRO	MANOMETER - THERMOMETER TERMOIDROMETRO	1
5022	64980254	WT150 INSTALLATION KIT BOX HTP WT150 INSTALLATION KIT BOX HTP	WT150 INSTALLATION KIT BOX HTP WT150 INSTALLATION KIT BOX HTP	WT150 INSTALLATION KIT BOX HTP KIT INSTALLAZIONE WT150 HTP	0
	64980255	WT199(C) INSTALLATION KIT BOX HTP WT199(C) INSTALLATION KIT BOX HTP	WT199(C) INSTALLATION KIT BOX HTP WT199(C) INSTALLATION KIT BOX HTP	WT199(C) INSTALLATION KIT BOX HTP KIT INSTALLAZIONE WT199(C) HTP	0
5025	64980212	ROUND MESH, VENT SCREEN (3.375 in) MAILLE RONDE, ÉCRAN D'ÉVENT (3.375 in)	RUNDES MESH, ENTLÜFT.SBILDSCH.(3,375 in) MALLA RED., PANTAL.DE VENT.(3,375 in)	RONDE MESH, VENT-SCHERM (3.375 in) PROTEZIONE SCARICO FUMI (3,375 in)	0
5026	64980093	BRACKET (WALL MOUNT-BOTTOM) SUPPORT DE MONT.MURAL INFÉR.	UNTERE WANDHALTERUNG SOPORTE DE MONT.EN PARED INF.	ONDERSTE MUURBEUGEL STAFFA D'AGGANCIO INFERIORE	0
5027	64980096	WALL HOOK PLATINE SUPPORT MURAL	WANDHALTERPLATTE PLACA SOPORTE MURAL	WANDBEVESTING STAFFA D'AGGANCIO SUPERIORE	0
5028	64980213	WALL MOUNT HARDWARE LEG BOLT BOULON DE JAMBE DE MAT.DE MONT.MURAL	BEINSCHRAUBE FÜR WANDHALTERUNG PERNO DE PIERNA DE MONT.EN PARED	WANDMONTAGE HARDWARE BEENBOUT KIT (MONTAGGIO-BULLONI)	0
5029	64980214	WALL MOUNT HARDWARE PLASTIC PLUG BOUCHON PLASTIQUE MAT.MURAL	WALL MOUNT HARDWARE PLASTIC PLUG ENCHUFE DE PLÁST.DE MONT.EN PARED	WANDMONTAGE HARDWARE PL.PLUG KIT (FISCHER)	0

ELU-150WBN, ELU-199WBN, ELU-199WCN

Gas-wall condensing boilers

IDENTIFICATION PLATE

SERIAL NUMBER

16 Characters :

