

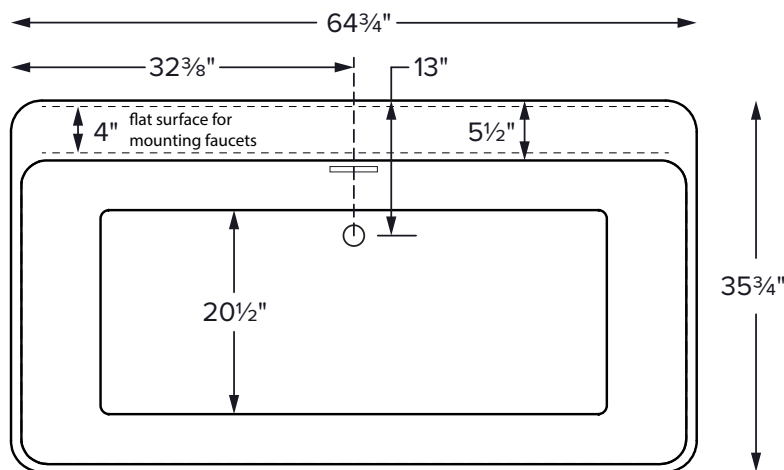
Fairbanks

64.75" x 35.75" x 22"

**Installation:** Freestanding with above-floor rough-in

GENERAL SPECIFICATIONS:

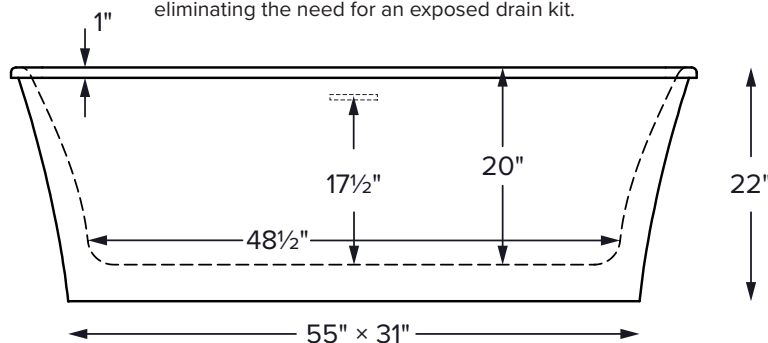
Material ..... Acrylic  
Soaker Weight ..... 120 lbs / 54 kg  
Maximum Fill ..... 75 gal to overflow  
NOTE: Filling this tub to the maximum may require an above average size or dedicated water heater.



**4" wide flat deck surface behind the drain accommodates faucet installation.**

Factory-installed overflow assembly is concealed between the walls of the tub, eliminating the need for an exposed drain kit.

**Note:** Tub includes an access panel (standard), for drain installation. Depending on how the tub is positioned, the panel may be visible.



**IMPORTANT INFORMATION**

**ELECTRICAL SPECIFICATIONS**

Required Electrical Service - 110 Volt  
Air Bath - Heated Blower - 1-15 amp GFCI

CSA Certified C/US; ANSI Z124.1  
CSA Certified C/US; ANSI 112.19.7

- Before ordering or installing, please consider future access to equipment.
- Overflow is factory-installed to facilitate ease of toe tap drain installation.
- When ordering an air bath, the air blower must be remote mounted.
- Radiance placed on floor locations will affect placement of air jets.
- If tub is equipped with Chromatherapy, the control box must be remote mounted.
- Specifications and configurations are subject to change without notice.
- Textured bottom as standard is compliant with ASTM C 1025-07 coefficient of friction test.
- Measurements are  $\pm 1/2$ " and are subject to change without notice.
- Measurements herein supersede all others published prior to publication date shown below.



Hydrotherapy Packages	Package Contents	Part #
Soaker	Soaking bath - no jets; textured bottom, includes a pre-leveled foam base. White Slim Line overflow and Toe-Tap drain standard; chrome, brushed nickel, and polished nickel available upon request.	MTIFWWS551
Air Massage	20 air jets, heated air blower, textured bottom, pre-leveled foam base. White Slim Line overflow and Toe-Tap drain standard; chrome, brushed nickel, and polished nickel available upon request. Blower and control boxes must be remote located.	MTIFWWAST551

RECOMMENDED SENSORY THERAPIES

**Chromatherapy**

(LE) underwater lighting  
2 LED lights included

**Audiotherapy**

(STEREOBT) 2 transducers with bluetooth and amplifier  
(BTREMOTE) bluetooth remote

(STEREOH202) 4 transducers  
amplifier not included

**Thermaltherapy**

(RAD100) Radiance®  
2 heated zones included

Options
Must be ordered at time of purchase
<b>Standard Colors</b> - White (CWH), Biscuit (CBS)
<b>Virtual Spout</b> - high-flow integrated tub filler (FPMJ)
<b>Decorative Towel Bar</b> Chrome (CHTOWEL) Brushed Nickel (BNTOWEL)
<b>Grab Bars</b> - 9" Curved, set of 2 Acrylic - color-matched with tub standard colors only (GB) Metal - Chrome (GBMC), Brushed Nickel (GBMBN)
<b>Teak Tub Tray</b> - Slatted (TK-TRAY1) or Solid (TK-TRAY2)

Drain Kits
<b>Toe-Tap with Slim-Line Integrated Overflow</b> White (SLOTWH) <b>Included</b> Chrome (SLOTC) Brushed Nickel (SLOTBN) Polished Nickel (SLOTPN)

Accessories
<b>Concealed Blower Box</b> Oak (BBOAK) Cherry (BBCH) Maple (BBMAP)
<b>Pillows</b> - from See pillows pricing and specs online
<b>Teak Bath Mat (TKMAT3018)</b> custom sizes also available

For more details about options and accessories, visit [mtibaths.com](http://mtibaths.com).



Inside view of tub

\* MTI has selected an oil-rubbed bronze finish that is compatible with Delta and many other manufacturers. To ensure best match, order as a Special Finish and submit a sample.  
\* Allow 2-4 weeks lead time for Special Finishes. Send sample for best match.

