

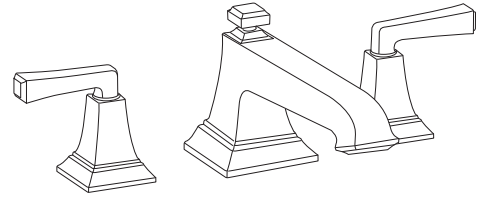
INSTALLATION INSTRUCTIONS

Town Square® S Dual Control Widespread Lavatory Faucet

7455.801
7455.811
7455.814

Thank you for selecting American Standard...
the benchmark of fine quality for over 140 years.

To ensure that your installation proceeds smoothly-please read
these instructions carefully before you begin.



Certified to comply with ANSI A112.18.1M

RECOMMENDED TOOLS



Phillips Screwdriver



Flat Blade Screwdriver



Channel Locks



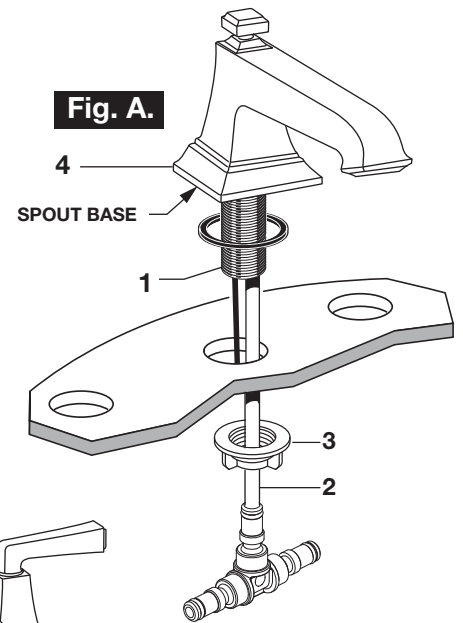
Adjustable Wrench

1 INSTALL SPOUT

CAUTION Turn off hot and cold water supplies before beginning.

Fig. A.

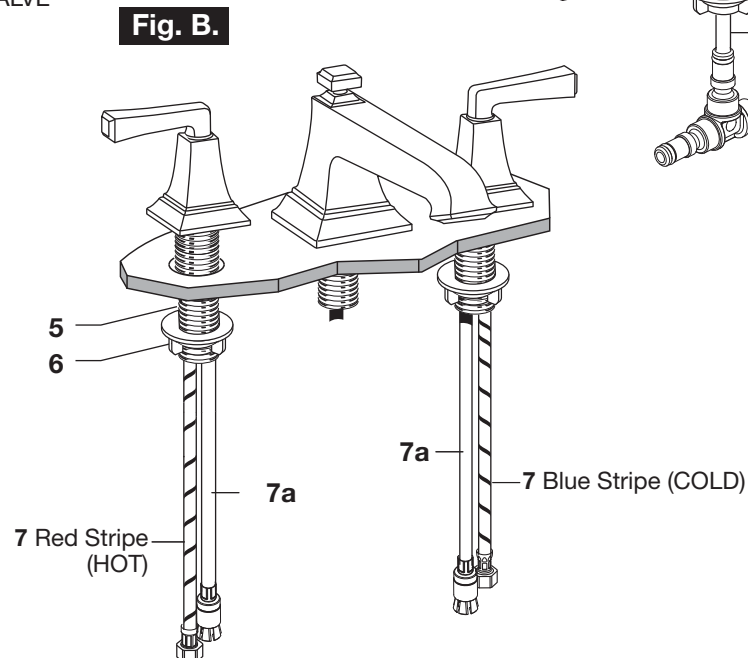
- Insert SHANK (1) and HOSE (2) through center hole.
- Thread LOCKNUT (3) onto SHANK (1) from underside of sink or mounting surface.
- Align and center SPOUT (4). Tighten LOCKNUT (3).



1A INSTALL VALVE BODIES

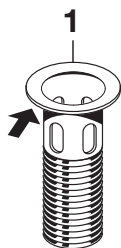
Fig. B.

- Remove LOCKNUT (6) from SIDE VALVE SHANKS (5).
- Insert Hot and Cold SIDE VALVE HOSES (7), FLEXIBLE SUPPLIES (7a) into mounting holes.
- Thread LOCKNUT (6) onto each SIDE VALVE SHANK (5) from underside of sink or mounting surface.
- Align and center SIDE VALVES. Tighten LOCKNUTS (6).



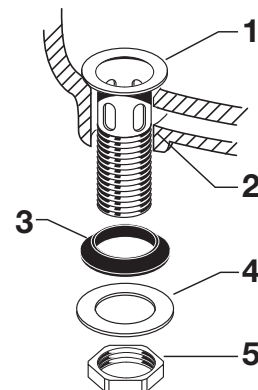
2 INSTALL POP-UP DRAIN

- Apply a bead of putty to underside of FLANGE (1).



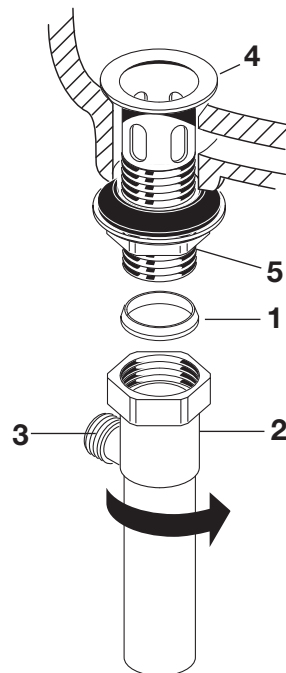
2a

- Drop FLANGE (1) into LAVATORY DRAIN (2). From below assemble RUBBER GASKET (3), METAL WASHER (4) and LOCK NUT (5). Do not tighten.



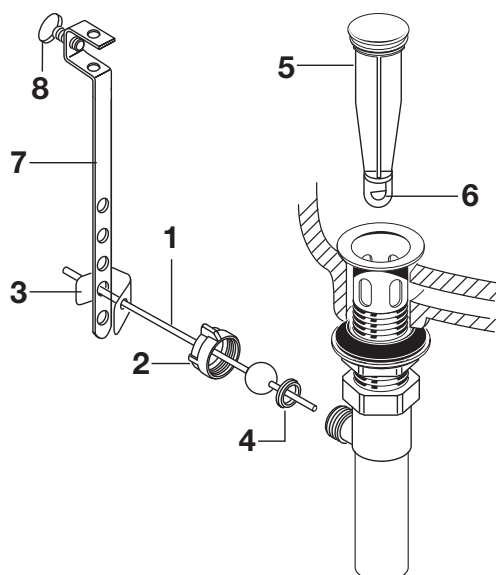
2b

- Place SEAL (1) with small end facing up into TAILPIECE (2) and tighten against DRAIN BODY (4). PIVOT ROD (3) opening in TAILPIECE (2) should face the rear of the lavatory. Tighten LOCK NUT (5) with channel locks. Do not over tighten.



2c

- Assemble PIVOT ROD (1), PIVOT NUT (2), CLIP (3) and SEAL (4) as shown. Hand tighten PIVOT NUT (2) Drop STOPPER (5) into drain. (For vandal proof drain rotate stopper so PIVOT ROD (1) goes through EYE (6) of STOPPER (5). Make connection to "P" TRAP.
- Remove one end of CLIP (3) from PIVOT ROD (1) by squeezing ends together while sliding.
- Insert PIVOT ROD (1) into second or third hole in EXTENSION (7) and reassemble CLIP (3). (EXTENSION (7) may need to be bent.)
- Adjust STOPPER (5) height by repositioning EXTENSION (7) and tightening THUMBSCREW (8).

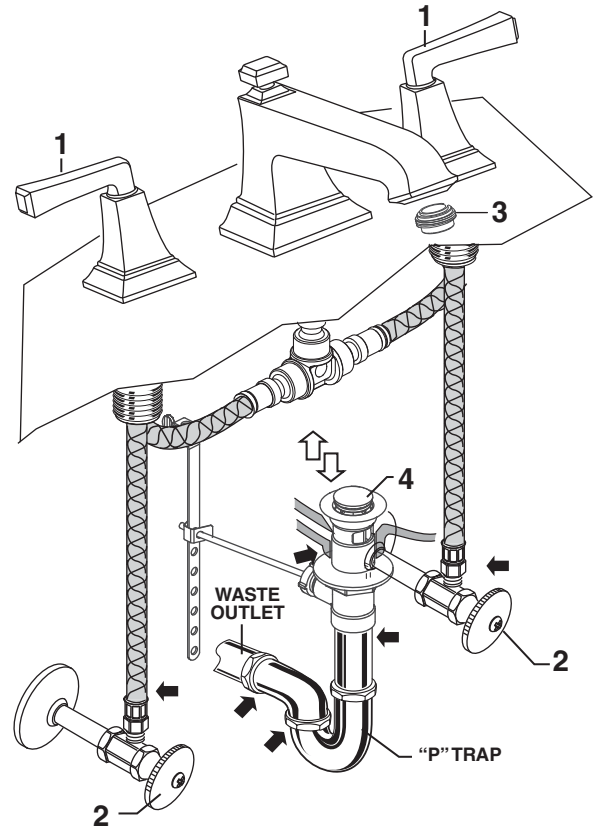


3 TEST INSTALLED FITTING

- With HANDLE (1) in OFF position, turn on WATER SUPPLIES (2) and check all connections for leaks.
- Remove AERATOR (3).
- Operate HANDLE (1) to flush water lines thoroughly.
- Replace AERATOR (3).

CHECK DRAIN CONNECTIONS

- Fill lavatory with water. Check that DRAIN STOPPER (4) makes a good seal and retains water in SINK.
- Release DRAIN STOPPER (4) down and check all drain connections and "P" trap for leaks. Tighten if necessary.



4 SERVICE

CAUTION Turn off hot and cold water supplies before beginning.

Change Direction of the Handle

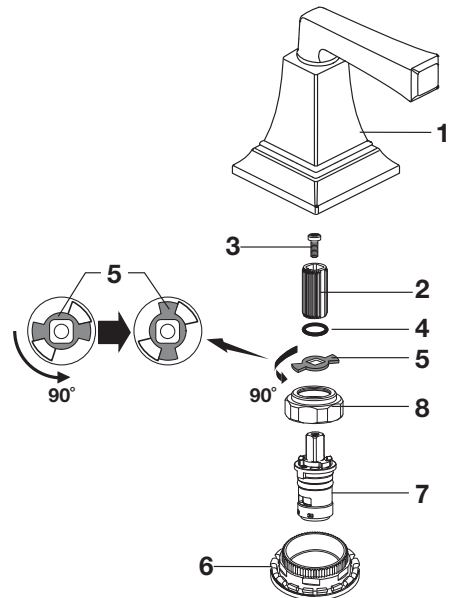
- Turn valves to OFF position.
- Turn off water supplies.
- Pull HANDLE (1) "UP" firmly to release from PLASTIC INSERT (6).
- Remove SCREW (3) and pull off PLASTIC INSERT (2).
- Remove RETAINING O-RING (4).
- Lift and turn STOP WASHER (5) 90°. Replace RETAINING O-RING (4).
- Re-install HANDLE ASSEMBLY.

To Change Cartridge:

- Remove HANDLE (1), ADAPTER (2) and SCREW (3) via steps above.
- Remove CARTRIDGE (7) by pulling up on it after rotating CARTRIDGE NUT (8) counter clockwise.

Aerator Clean Out

- AERATOR may accumulate dirt causing distorted and reduced water flow. Remove AERATOR by using the AERATOR KEY and rinse to clear any debris.
- If spout drips, operate handles several times from OFF to ON position. Do not force - handles turn only 90°.



5 CARE INSTRUCTIONS:

DO: SIMPLY RINSE THE PRODUCT CLEAN WITH CLEAR WATER. DRY WITH A SOFT COTTON FLANNEL CLOTH.

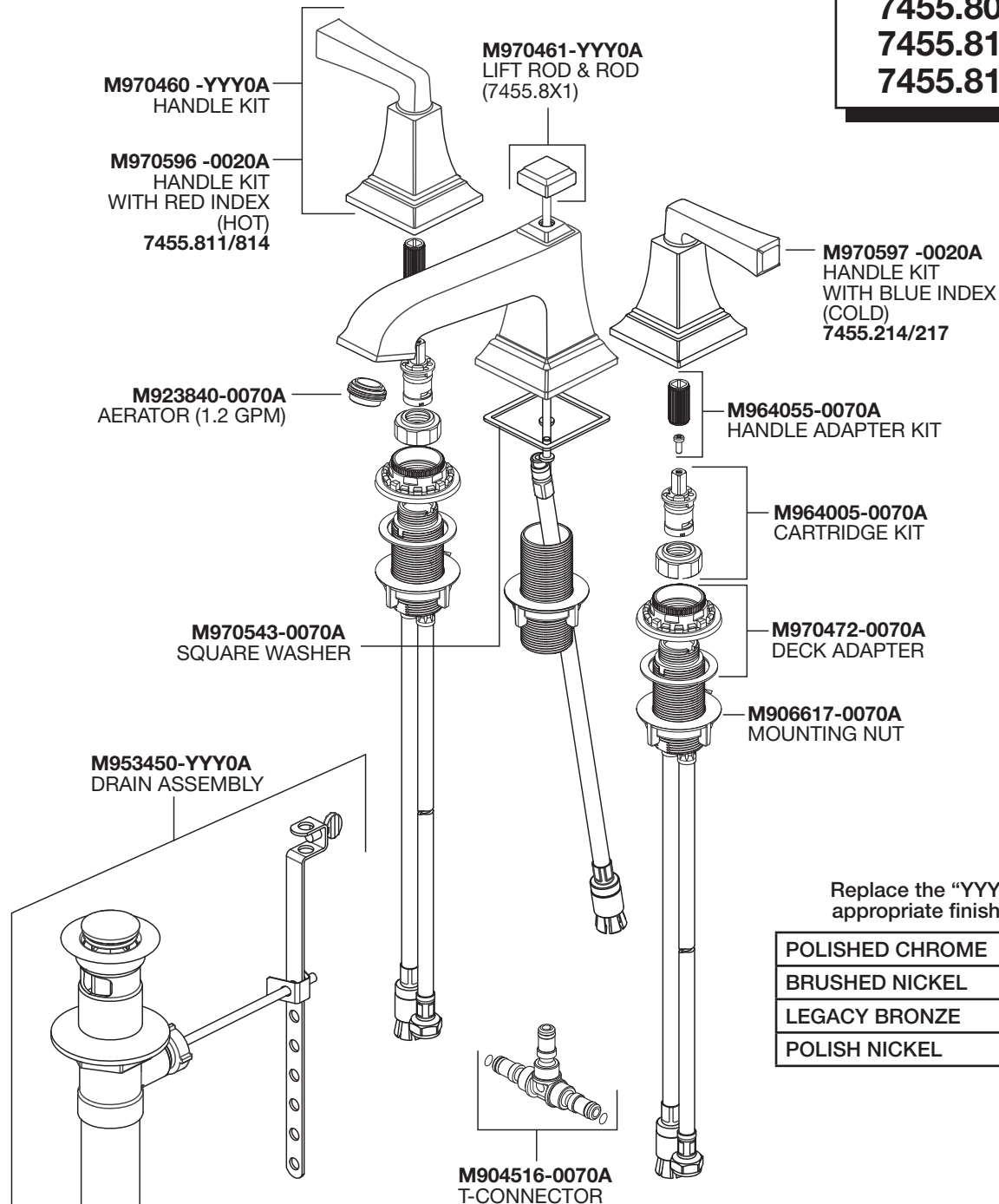
DO NOT: DO NOT CLEAN THE PRODUCT WITH SOAPS, ACID, POLISH, ABRASIVES, HARSH CLEANERS, OR A CLOTH WITH A COARSE SURFACE.

American Standard

Town Square® S Dual Control Widespread Lavatory Faucet

MODEL NUMBERS

7455.801
7455.811
7455.814



Replace the "YYY" with appropriate finish code

POLISHED CHROME	002
BRUSHED NICKEL	295
LEGACY BRONZE	278
POLISH NICKEL	013

HOT LINE FOR HELP

For toll-free information and answers to your questions, call:
1 (800) 442-1902

Mon. - Fri. 8:00 a.m. to 8:00 p.m. EST

Saturday 10:00 a.m. to 4:00 p.m. EST

IN CANADA 1-800-387-0369

(TORONTO 1-905-306-1093)

Weekdays 8:00 a.m. to 7:00 p.m. EST

IN MEXICO 01-800-839-1200



PART OF LIXIL