



HTP • 272 Duchaine Blvd, New Bedford, MA 02745 • www.htproducts.com

Everlast Elevate Residential Two Element Electric Water Heaters

Job Name:	Location:
Engineer:	Wholesaler:
Mechanical Contractor:	Notes:
Model Number:	
Electrical Specifications:	

Electric Water Heater Models

- Available in 55 gallon capacities
- Standard configuration is 240V, Single Phase, Non-Simultaneous, 5500W Elements
- Model Number: ELV055C2X055N

Construction

- 316L stainless steel tank tolerates high temperatures and offers superior corrosion resistance
- Insulated with environmentally friendly HFO foam insulation with low Global Warming Potential (GWP) for minimal heat loss and energy efficiency
- 3/4" top brass inlet and outlet water connections ease installation
- Top hot water outlet with built-in heat trap draws the hottest water from the tank
- Top cold inlet with dip tube directs cold water to the lower heating element, with a mixing reducing device further minimizing the mixing of cold and heated water and ensuring long draws of hot water
- Anti-corrosion anode
- Top-mounted electric junction box for easy wiring and installation

Long Life Titanium Electric Elements / Thermostat and Mixing Valve Temperature Control

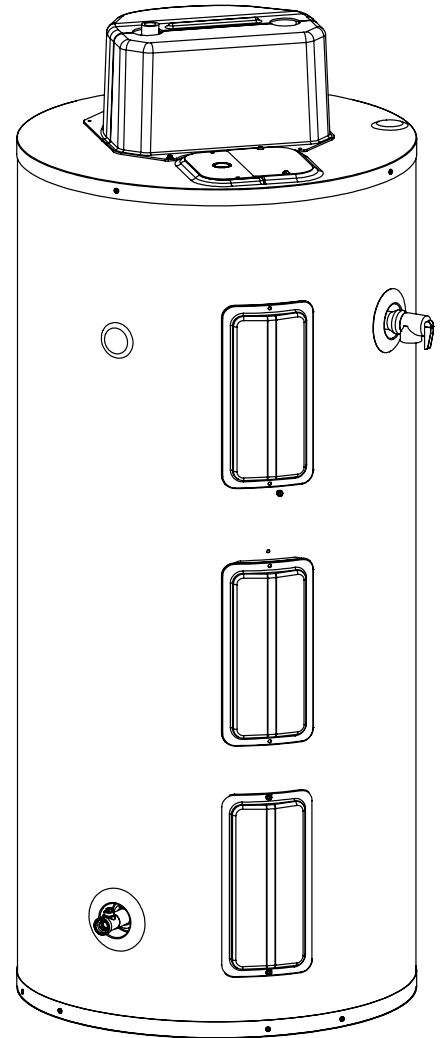
- High quality, low watt density titanium elements increase corrosion resistance, reducing the chance of element burnout and providing longer service life than conventional elements
- Immersed elements allow maximum recovery efficiency and direct, 98% efficient heat transfer
- Adjustable surface mounted thermostats provide years of reliable, trouble-free water temperature control - Maximum temperature capability of 170°F
- Fully automatic controls provide adequate temperature control and overheat protection - manual reset high limit cutoff
- Installed ASSE 1017 thermostatic mixing valve delivers water at a safe, consistent temperature

Additional Features

- *Extended Residential Warranty if registered online - Lifetime coverage against inner tank leakage from the date of installation - Six (6) years coverage on component parts
- Standard Residential Warranty - Ten (10) years coverage against inner tank leakage from the date of installation - One (1) year coverage on component parts
- Other Than Residential Use Warranty - Five (5) years coverage against inner tank leakage from the date of installation - One (1) year coverage on component parts
- Installed ASME rated Temperature and Pressure Relief Valve
- Installed Brass Drain Valve

Certifications and Ratings Efficiency

- ETL Design Certified to meet UL Standard 174 for Household Electric Water Heaters
- North Carolina code compliant
- Lead Free compliant per the Safe Drinking Water Act, Section 1417
- Meets or exceeds ANSI requirements and tested according to DOE procedures
- Meets or exceeds the energy efficiency requirements of NAECA, ASHRAE Standard 90, ICE code, and all state energy performance criteria
- Exceeds energy efficiency codes of all states, including California Energy Commission (CEC)



Recovery Table for Electric Water Heaters (US Gallons per Hour)												
Input		Temperature Rises (deg. F)										
W	BTU	40	50	60	70	80	90	100	110	120	130	140
5500	18767	56	44	37	31	28	24	22	20	18	17	16

*See product warranty for complete details.

NOTE: The manufacturer reserves the right to make product changes or updates without notice and will not be held liable for typographical errors in literature.

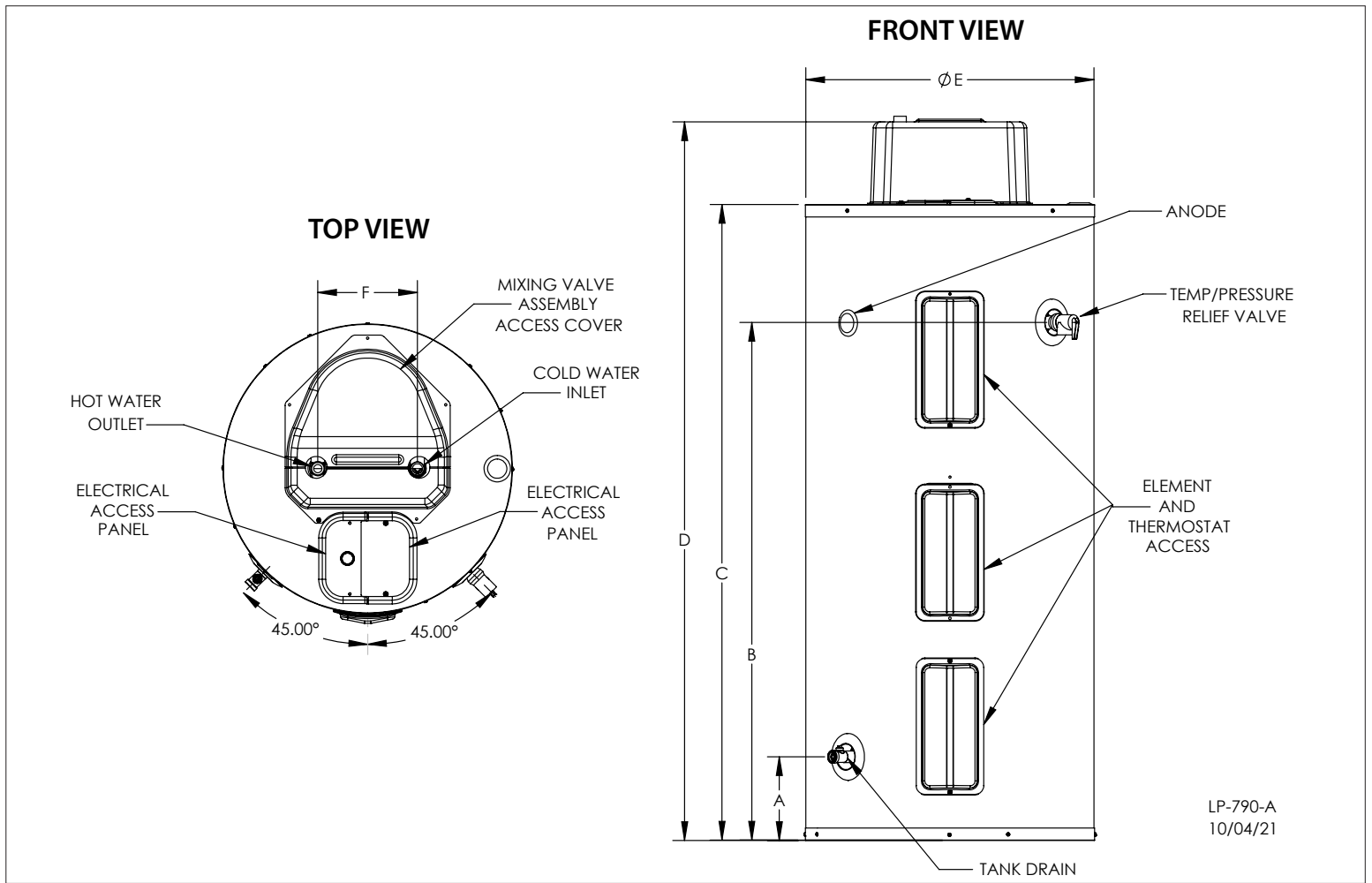


Figure 1 - Dimensional Drawing - Staged Operation

Specifications and Dimensions										Water Temperature Ratings				
Residential Models	Storage Capacity	A	B	C	D	E	F	Hot / Cold Inlets	Shipping Weight (Lbs. Est.)	From Mixing Valve		Thermostat		
										Min. Delivered Temp.	Max. Del. Temp.	Min. Del. Temp.	Max. Del. Temp.	High Temp. Limit
ELV055C2X055N	55	6 3/4"	41 1/2"	51"	58"	23 1/4"	8"	3/4" NPT	150	90°F (32 C)	130°F (54 C)	125°F (51.7 C)	170°F (76.7 C)	190°F (87.8 C)

Table 1 - Specifications and Dimensions - See Table 3 for Electrical Specifications

Model #	Safety Listing	# Elements and Thermostats	Available Wattage	Voltage	Full Load Current in Amps (Single Phase)
ELV055C2X055N	UL 174	2	5,500	240	23

Table 2 - Electrical Specifications Including Corresponding Wattages / Voltages / Amperages - See Table 2 for Model Specifications and Dimensions

Typical Specifications

The water heater shall be an HTP model # ELV055C2X055N with a 55 gallon storage capacity, an input of 5500 watts, a recovery rate of 24 GPH at 90°F (32°C) temperature rise and be equipped for 240 volts, single phase, non-simultaneous operation.

The tank shall be constructed of 316L stainless steel, and have a working pressure of 150 PSI (1,034 kPa) and test pressure of 300 PSI. The water heater shall be design certified by ETL to meet the UL 174 Household Electric Water Heater Standard, and meet or exceed the standby loss requirements of ASHRAE.

The water heater shall be supplied with top 3/4" NPT brass inlet and outlet connections with built-in heat traps. The water heater shall be equipped with an adjustable surface mounted thermostat with manual reset high limit safety control, and an electric junction box located on the top of heater. An ASSE 1017 thermostatic mixing valve is installed on the water heater to safely deliver hot water. A full port brass drain valve and ASME rated temperature and pressure relief valve ship also ship installed.

Residential use water heaters shall be covered by a lifetime limited warranty against inner tank leakage when registered online with HTP. See product warranty for details.

The surfaces of these products contacted by consumable water contain less than 0.25% lead by weight, as required by the Safe Drinking Water Act, Section 1417.

Maximum unit dimensions shall be diameter 23 1/4 inches and height 58 inches. Unit shipping weight shall be 150 pounds.