



Superstor Ultra EVO

Indirect Fired Water Heater

Use and Care Manual

Installation

Start-Up

Maintenance

Parts

Warranty

For Residential Use



⚠ WARNING

This manual must only be used by a qualified installer / service technician. Read all instructions in this manual before installing. Perform steps in the given order. Failure to do so could result in substantial property damage, severe personal injury, or death.

California Proposition 65 Warning: This product contains chemicals known to the State of California to cause cancer, birth defects, or other reproductive harm.

NOTICE

HTP reserves the right to make product changes or updates without notice and will not be held liable for typographical errors in literature.

The surfaces of these products contacted by potable (consumable) water contain less than 0.25% lead by weight as required by the Safe Drinking Water Act, Section 1417.

NOTE TO CONSUMER: PLEASE KEEP ALL INSTRUCTIONS FOR FUTURE REFERENCE.

SPECIAL ATTENTION BOXES

The following defined terms are used throughout this manual to bring attention to the presence of hazards of various risk levels or to important product information.

DANGER

DANGER indicates an imminently hazardous situation which, if not avoided, will result in serious personal injury or death.

WARNING

WARNING indicates a potentially hazardous situation which, if not avoided, could result in personal injury or death.

CAUTION

CAUTION indicates a potentially hazardous situation which, if not avoided, may result in moderate or minor personal injury.

CAUTION

CAUTION used without the safety alert symbol indicates a potentially hazardous situation which, if not avoided, may result in property damage.

NOTICE

NOTICE is used to address practices not related to personal injury.

Foreword

This manual is intended to be used in conjunction with other literature provided with the indirect fired water heater. This includes all related control information. It is important that this manual, all other documents included in this system, and additional publications be reviewed in their entirety before beginning any work.

Installation should be made in accordance with the regulations of the Authority Having Jurisdiction, local code authorities, and utility companies which pertain to this type of water heating equipment.

Authority Having Jurisdiction (AHJ) – The Authority Having Jurisdiction may be a federal, state, local government, or individual such as a fire chief, fire marshal, chief of a fire prevention bureau, labor department or health department, building official or electrical inspector, or others having statutory authority. In some circumstances, the property owner or his/her agent assumes the role, and at government installations, the commanding officer or departmental official may be the AHJ.

NOTE: The manufacturer reserves the right to modify product technical specifications and components without prior notice.

For the Installer

This water heater must be installed by qualified and licensed personnel. The installer should be guided by the instructions furnished with the water heater, and by local codes and utility company requirements.

Installations Must Comply With:

Local, state, provincial, and national codes, laws, regulations, and ordinances.

Table of Contents

Part 1 - General Safety Information	3
A. When Servicing the Water Heating System	3
B. Heater Water	3
C. Freeze Protection	3
D. Water Temperature Adjustment	3
Part 2 - Prepare the Water Heater	4
A. Locating the Water Heater	4
B. Water Chemistry Requirements	5
C. Indirect Fired Water Heater Characteristics	5
Part 3 - Piping	8
A. Plumbing	8
B. Boiler Connections	8
C. Domestic Piping Inlet	8
D. Temperature and Pressure Relief Valve	8
E. Scalding	9
F. Potable Expansion Tank	9
G. Pressure Drop Sizing For Circulator	9
H. Applications	10
Part 4 - Heater Control and Wiring	13
A. Control	13
B. Wiring	13
C. Wiring Diagrams	13
Part 5 - Start-Up and Operation	17
Part 6 - Maintenance and Troubleshooting	18
Limited Warranty	21
Notes	24
Customer Installation Record Form	25


WARNING

From the Uniform Plumbing Code 2000 - Section 510 - Protection From Damage

1. All water heaters installed in areas where they may be subjected to mechanical damage shall be suitably guarded against such damage by being installed behind adequate barriers or by being elevated or located out of the normal path of a vehicle using any such garage.
2. In seismic zones 3 and 4, water heaters shall be anchored or strapped to resist horizontal displacement due to earthquake motion. Strapping shall be at points within the upper one-third (1/3) and lower one-third (1/3) of its vertical dimensions. At the lower point, a minimum distance of four (4) inches (102 mm) shall be maintained above the controls with the strapping.
3. A water heater supported from the ground shall rest on level concrete or other approved base extending not less than three (3) inches (76 mm) above the adjoining ground level.
4. When a water heater is located in an attic, attic-ceiling assembly, floor-ceiling assembly, or floor-subfloor assembly where damage may result from a leaking water heater, a watertight pan of corrosion resistant materials shall be installed beneath the water heater with a minimum three-quarter (3/4) inch (20 mm) diameter drain to an approved location.

Part 1 - General Safety Information

This water heater is approved for indoor installation only and is not intended for use as a pool heater. Clearance to combustible materials: 0" top, bottom, sides, and back. Heater must have room for service: 24" front, 12" top, and 24" sides are recommended service clearances. (A combustible door or removable panel is acceptable front clearance.) This water heater has been approved for closet installation and installation on combustible flooring. Do not install directly on carpeting. Install the water heater in a location where temperature and pressure relief valve discharge or a leak will not result in damage to the surrounding area.

 WARNING
<p>NOTE: Obey all local codes. Obtain all applicable permits before installing the water heater.</p> <p>NOTE: Install all system components and piping in such a manner that does not reduce the performance of any fire rated assembly.</p> <p>Installer - Read all instructions in this manual before installing. Perform steps in the given order.</p> <p>User - This manual is for use only by a qualified heating installer / service technician. Have this water heater serviced / inspected annually by a qualified service technician.</p> <p>FAILURE TO ADHERE TO THE GUIDELINES ON THIS PAGE CAN RESULT IN SUBSTANTIAL PROPERTY DAMAGE, SEVERE PERSONAL INJURY, OR DEATH.</p> <p>NOTE: If the heater is exposed to the following, do not operate until all corrective steps have been made by a qualified serviceman:</p> <ol style="list-style-type: none"> 1. Fire 2. Damage 3. Water <p>Failure to follow this information could result in property damage, severe personal injury, or death.</p>
CAUTION
<p>High heat sources (sources generating heat 100°F / 37°C or greater, such as stove pipes, space heaters, etc.) may damage plastic components of the water heater as well as plastic vent pipe materials. Such damages ARE NOT covered by warranty. It is recommended to keep a minimum clearance of 8" from high heat sources. Observe heat source manufacturer instructions, as well as local, state, provincial, and national codes, laws, regulations and ordinances when installing this water heater and related components near high heat sources.</p> <p>Do not use this water heater for anything other than its intended purpose (as described in this manual). Doing so could result in property damage and WILL VOID product warranty.</p>
NOTICE
<p>UNCRATING THE WATER HEATER - Any claims for damage or shortage in shipment must be filed immediately against the transportation company by the consignee.</p>

A. When Servicing the Water Heating System

To avoid electric shock, disconnect electrical supply before performing maintenance.
 To avoid severe burns, allow water heater and associated equipment to cool before servicing.


B. Heater Water

Do not use petroleum-based cleaning or sealing compounds in a water heating system. Gaskets and seals in the system may be damaged. This can result in substantial property damage.

Do not use "homemade cures" or "patent medicines". Damage to the water heater, substantial property damage, and/or serious personal injury may result.

C. Freeze Protection

NOTE: Consider piping and installation when determining heater location. Place the water heater as close to the boiler as possible, in a location not prone to freezing.

CAUTION
<p>Failure of the water heater due to freeze related damage IS NOT covered by product warranty.</p> <p>In water heaters with single wall heat exchangers, the heat transfer fluid must be water or nontoxic food grade glycol, FDA rated "generally recognized as safe" (GRAS) and having a toxicity rating or class of 1, as listed in Clinical Toxicology of Commercial Products, 5th edition. Ensure the system is permanently labeled to indicate any additives used in the heat transfer fluid.</p>
 WARNING
<p>NEVER use any toxic chemical, including automotive, standard glycol antifreeze, or ethylene glycol made for hydronic (non-potable) systems. These chemicals can attack gaskets and seals in water systems, are poisonous if consumed, and can cause personal injury or death.</p>

D. Water Temperature Adjustment

If the water heater is going to have a set temperature above 120°F, you must use an ASSE 1017 rated mixing valve to avoid severe burns or death from scalding temperatures.


 WARNING	
<p>Households with small children, disabled, or elderly persons may require a 120°F or lower temperature setting to prevent severe personal injury or death due to scalding.</p>	
Approximate Time / Temperature Relationships in Scalds	
120°F	More than 5 minutes
125°F	1 1/2 to 2 minutes
130°F	About 30 seconds
135°F	About 10 seconds
140°F	Less than 5 seconds
145°F	Less than 3 seconds
150°F	About 1 1/2 seconds
155°F	About 1 second

Table 1 - Approximate Time / Temperature Relationships in Scalds

Part 2 - Prepare the Water Heater

Remove all sides of the shipping crate to allow the heater to be moved into its installation location.

CAUTION

COLD WEATHER HANDLING - If the water heater has been stored in a very cold location (BELOW 0°F) before installation, handle with care until the components come to room temperature. Failure to do so could result in damage to the water heater.

A. Locating the Water Heater

CAUTION

High heat sources (generating heat 100°F / 37°C or greater, such as stove pipes, space heaters, etc.) may damage plastic components of the water heater as well as plastic vent pipe materials. Such damages ARE NOT covered by warranty. It is recommended to keep a minimum clearance of 8" from high heat sources. Observe heat source manufacturer instructions, as well as local, state, provincial, and national codes, laws, regulations, and ordinances when installing this water heater and related components near high heat sources.

All water heaters eventually leak. Locate the water heater where any leakage from the relief valve, related piping, tank, or connections will not result in damage to surrounding areas or lower floors of the building. Any water heater should be installed in such a manner that if it should leak the resulting flow of water will not cause damage to the area in which it is installed. National Plumbing codes require a drain pan for any water heater installation. This drain pan should be sized with a maximum depth of 2", and a minimum diameter 2" greater than the diameter of the water heater. The drain pan should empty into an open drain line. This drain line should be 3/4" ID minimum, piped to an open drain. Leakage damages ARE NOT covered by warranty. Failure to install a drain pan is the sole responsibility of the owner and/or installer. Reference UPC 2000 (Uniform Plumbing Code) Section 510 - Protection from Damage or IPC 200 (International Plumbing code) Section 504 - Safety Devices. Leakage damages ARE NOT covered by warranty.

In addition, water leak detection devices and automatic water shutoff valves are readily available at plumbing supply houses. IT IS HIGHLY RECOMMENDED BY THE MANUFACTURER TO INSTALL WATER LEAK DETECTION DEVICES AND AUTOMATIC SHUTOFF VALVES IN ANY WATER HEATER INSTALLATION WHERE A LEAKAGE OF WATER COULD RESULT IN PROPERTY DAMAGES.

This water heater must be installed upright in the vertical position as described in this manual. DO NOT attempt to install this water heater in any other orientation. Doing so will result in improper water heater operation and property damage, and could result in serious personal injury or death.

This water heater is certified for indoor use only. DO NOT INSTALL OUTDOORS. Outdoor installations ARE NOT covered by warranty.

Choose a location for the water heater as centralized to the piping system as possible. Also, locate the water heater and domestic water piping where it will not be exposed to freezing temperatures. All piping should be insulated. Additionally, place the water heater so that the drain, controls, and inlets/outlets are easily accessible.

NOTE: To save on heating costs and improve energy efficiency keep the distance between the boiler and water heater to a minimum to reduce heat loss from excess piping and keep friction loss at a minimum. Ensure all piping between the boiler and water heater is properly insulated to minimize heat loss.

The water heater may be located some distance from the boiler provided the circulator meets flow requirements through the coil. The greater the distance from the water heater to the boiler the longer the response will be to a call for hot water.

This water heater must be installed vertical on a level surface.

NOTE: In the State of California, the water heater must be braced, anchored, or strapped to avoid moving during an earthquake. Contact local utilities for code requirements in your area. Visit <http://www.dsa.dgs.ca.gov> or call 1-916-445-8100 and request instructions.

However, applicable local codes shall govern installation. For residential water heaters of a capacity greater than 52 gallons, consult the local building jurisdiction for acceptable bracing procedures.

NOTE: If you do not provide the minimum clearances shown in Figure 1, it might not be possible to service the water heater without removing it from the space.

NOTE: A combustible door or removable panel is acceptable front clearance.

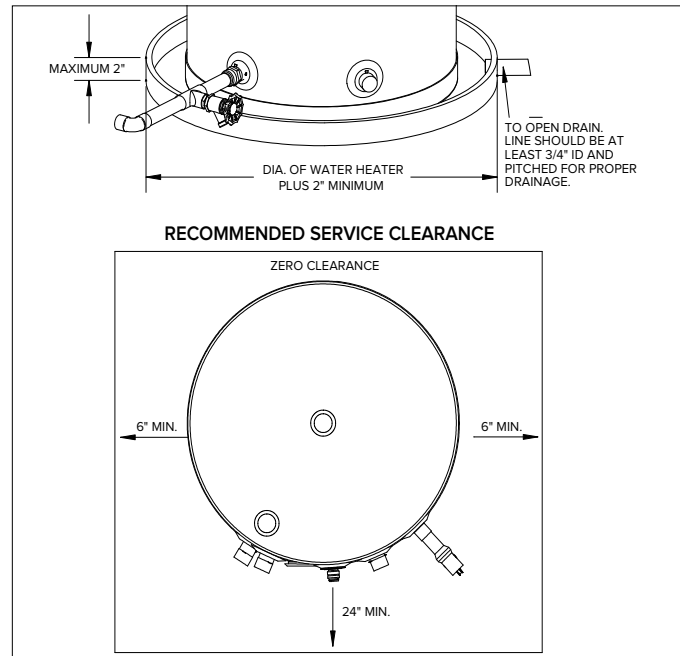


Figure 1 - Drain Pan Installation and Recommended Service Clearances

⚠ DANGER

This water heater must not be located near flammable liquids such as gasoline, butane, liquefied propane, adhesives, solvents, paint thinners, etc., as the controls of this water heater could ignite these vapors and cause an explosion resulting in property damage, severe personal injury, or death.

⚠ WARNING

Ensure the location can support the entire filled weight of the water heater. Failure to properly support the water heater could result in property damage, severe personal injury, or death.

B. Water Chemistry Requirements

CAUTION
Chemical imbalance of the water supply may affect efficiency and cause severe damage to the appliance and associated equipment. Water quality must be professionally analyzed to determine whether it is necessary to treat the water. Various solutions are available to adjust water quality. Adverse water quality will affect the reliability of the system. In addition, operating temperatures above 135°F will accelerate the build-up of lime scale and possibly shorten appliance service life. Failure of an appliance due to lime scale build-up, low pH, or other chemical imbalance IS NOT covered by the warranty.

The water must be potable, free of corrosive chemicals, sand, dirt, and other contaminants. It is up to the installer to ensure the water does not contain corrosive chemicals or elements that can damage the heat exchanger. Potable water is defined as drinkable water supplied from utility or well water in compliance with EPA secondary maximum contaminant levels (40 CFR Part 143.3). If the water contains contaminants higher than outlined by the EPA, water treatment is recommended and additional, more frequent maintenance may be required.

If you suspect that your water is contaminated in any way, discontinue use of the appliance and contact an authorized technician or licensed professional.

- **Water pH between 6 and 8**
 - pH levels below 6 can cause an increase in the rate of corrosion. pH of 8 or higher can potentially cause lime scale build-up
 - Maintain water pH between 6 and 8 Check with litmus paper or have it chemically analyzed by a local water treatment company.
 - If the pH is not between 6 and 8, consult a local water treatment company for solutions.
- **Hardness less than 12 grains (200 mg/L) (Residential Use - water temperatures below 140°F)**
 - Hardness levels above the required amounts can lead to lime scale build-up throughout the system. Water below 5 grains/gallon (85 mg/L) may be over softened.
 - Consult local water treatment companies for unusually hard water areas (above the required amounts) or for other treatment solutions if water is being over softened (below 5 grains/gallon [85 mg/L]).
- **Chloride concentration less than 80 ppm (mg/L)**
 - Do not fill appliance or operate with water containing chlorides in excess of 80 ppm (mg/L).
 - Using chlorinated fresh water should be acceptable as levels are typically less than 5 ppm (mg/L).
 - Do not connect the appliance to directly heat swimming pool or spa water.
- **Total Dissolved Solids (TDS) less than 500 ppm (mg/L)**
 - Total dissolved solids are minerals, salts, metals, and charged particles that are dissolved in water.
 - The greater the amounts of TDS present, the higher the corrosion potential due to increased conductivity in the water.
 - If using softened water to fill the appliance, it is still possible to have high TDS. This water can be corrosive. Consult local water treatment companies for other treatment solutions to reduce this affect.

***NOTE:**To promote appliance service life, it is strongly recommended to follow the maintenance procedures in this manual.

CAUTION
Hydrogen gas is produced in a hot water system served by this heater that has not been used for a long period of time (two [2] weeks or more). Hydrogen gas is extremely flammable. To reduce the risk of injury under these conditions, it is recommended that the hot water faucet be opened for several minutes at the kitchen sink before using any electrical appliance connected to the hot water system. When hydrogen is present, there will probably be an unusual sound such as air escaping through the pipe as the water begins to flow. There should be no smoking or open flame near the faucet at the time it is open.

C. Indirect Fired Water Heater Characteristics

Tank ¹	Stainless Steel AISI 444	
Coil	Stainless Steel AISI 316L	
Insulation	Polyurethane foam	
Jacket	Painted Grey Plastic	
Recommended Service Clearances	Top	12"
	Connection Side	24"
	Bottom	0"
Restrictions	MAWP	150 psi
	Max Tank temp	190°F
	Max boiler temp	210°F

Note:

¹Water used in the tank must meet the water chemistry limits specified in section B. Levels outside the limits may corrode the tank and shorten its life resulting in damage to tanks and voiding the warranty. Residual solder flux can corrode stainless steel. Flush tank before heating the domestic water in the tank or warranty will be void.

Figure 2-1 IWH Dimensions

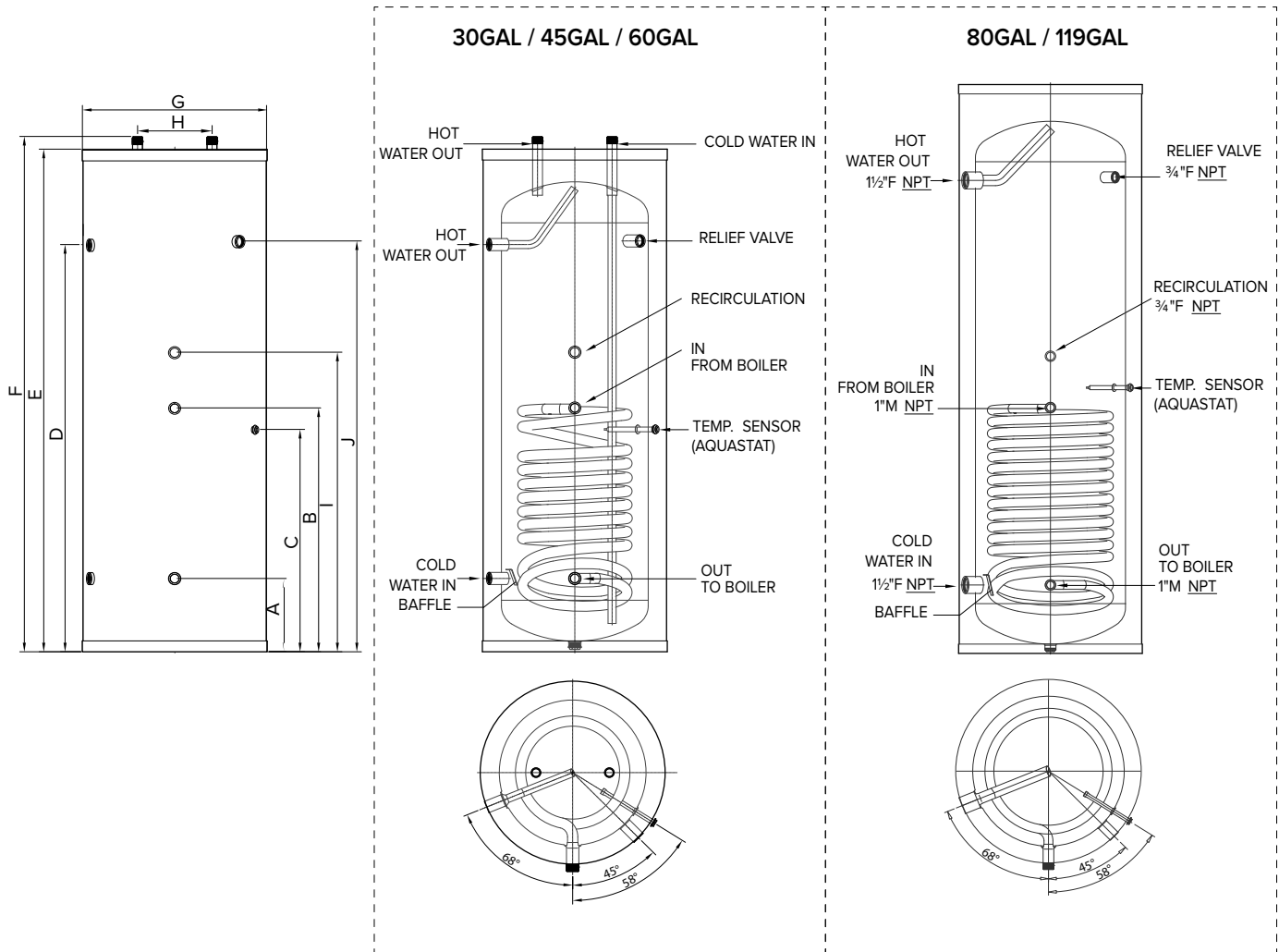


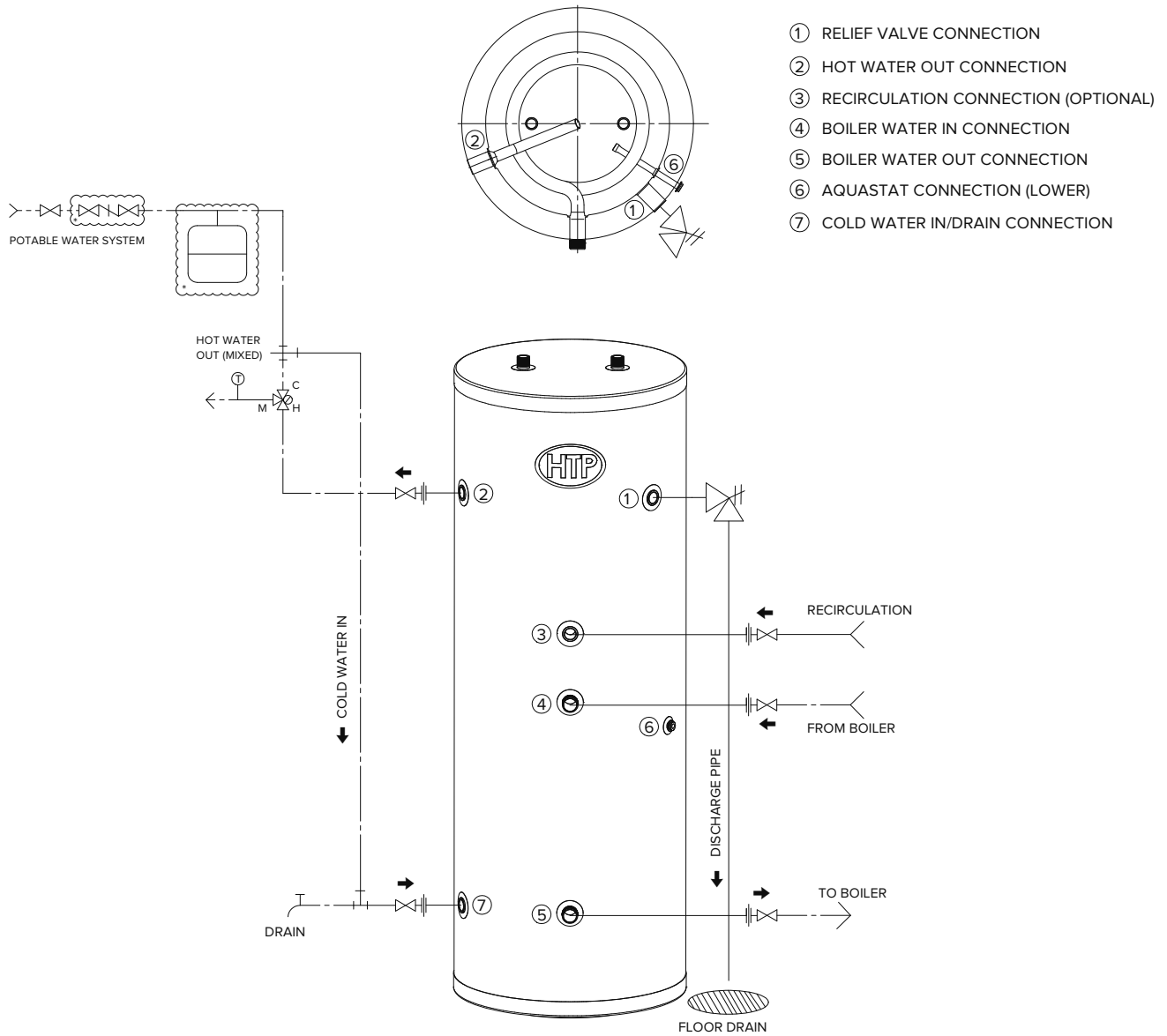
Table 2 - Indirect Fired Water Heater Dimensions

MODEL	A [in]	B [in]	C [in]	D [in]	E [in]	F [in]	G [in]	H [in]	I [in]	J [in]
SSU EVO - 30N	7.95	19.96	21.125	33.54	42.125	43.5	19.84	8	28.5	33.74
SSU EVO - 45N	7.95	26.46	24.125	44.17	54.625	56	19.84	8	32.5	44.57
SSU EVO - 60N	8.66	26.77	24.125	43.31	52.625	54.0	22.99	8	32.9	43.7
SSU EVO - 80N	8.66	31.1	33.625	59.84	72.0	-	22.99	-	37.6	60.24
SSU EVO - 119N	9.65	32.09	33.625	56.49	74.0	-	28.11	-	35.4	56.89

Table 3 - Indirect Fired Water Heater Dimensions

MODEL	COLD IN / HOT OUT (SIDE)	COLD IN / HOT OUT (TOP)	BOILER IN / BOILER OUT	RECIRC PORT	T&P	AQUASTAT WELL
SSU EVO - 30N	3/4" F NPT	3/4" M NPT	1" M NPT	3/4" F NPT	3/4" F NPT	10 mm
SSU EVO - 45N	3/4" F NPT	3/4" M NPT	1" M NPT	3/4" F NPT	3/4" F NPT	10 mm
SSU EVO - 60N	3/4" F NPT	1" M NPT	1" M NPT	3/4" F NPT	3/4" F NPT	10 mm
SSU EVO - 80N	1-1/2" F NPT	To Applicable	1" M NPT	3/4" F NPT	3/4" F NPT	10 mm
SSU EVO - 119N	1-1/2" F NPT	To Applicable	1" M NPT	3/4" F NPT	3/4" F NPT	10 mm

Figure 2-2 IWH Domestic Plumbing Schematic



LEGEND					
SYMBOL	DESCRIPTION	SYMBOL	DESCRIPTION	SYMBOL	DESCRIPTION
---	DOMESTIC COLD WATER		THERMOSTATIC MIXING VALVE		DRAIN VALVE
- . -	DOMESTIC HOT WATER (MIXED)		TEMPERATURE AND PRESSURE RELIEF VALVE		UNION
- . . -	DOMESTIC HOT WATER		TEMPERATURE GAUGE		TEE
- - - -	BOILER LOOP		EXPANSION TANK	*	CHECK LOCAL CODES
—	DHW RECIRCULATION (OPTIONAL)		ISOLATION VALVE		FLOOR DRAIN
	THERMOSTAT CONTROL (AQUASTAT CONNECTION)		BACKFLOW PREVENTOR		OPTIONAL
	FLOW DIRECTION				

Part 3 - Piping

A. Plumbing

It is mandatory that all plumbing be done in accordance with federal, local, and state plumbing codes and practices. Failure to properly install the water heater WILL VOID the warranty. It is also necessary to use both thread tape and pipe dope on all mechanical plumbing connections.

CAUTION

When filling the water heater, open a hot water tap to release air in the tank and piping. Failure to do so could lead to improper water heater operation and damage to components.

B. Boiler Connections

CAUTION

Use two wrenches when tightening water piping at the heater. Use one wrench to prevent the heater return or supply line from turning. Failure to prevent piping connections from turning could cause damage to water heater components.

Use a 1" nominal minimum pipe size when piping with zone valves or circulators.

On the water heater, the boiler supply connects to the outlet of the circulator. The circulator inlet is to be connected to the hot outlet side of the boiler. Be sure that the arrow on the circulator is facing the correct flow direction. (See pressure drop sizing for circulator, this manual.) On the tank, the boiler return connects to the return side of the boiler. The return(s) from heating loop(s) should have a flow check or swing check valve installed before the return pipe from the tank.

In a steam boiler, the tank supply must be connected to the boiler well below the minimum water level. A strainer and drain valve should be installed at the boiler for periodic draining of scale and sludge. Banging and steam bound traps will occur if the boiler water supplied to the heat exchanger has steam or is slightly above the low water cut-off.

WARNING

Live Steam Applications are allowed ONLY on 80 and 119 gallon models. Using any other SSU model in live steam applications will result in product failure and void the warranty. Pressure of steam in the indirect heat exchanger MUST NOT EXCEED 10 PSI. Failure to follow these instructions could result in product failure, substantial property damage, severe personal injury, or death, and WILL VOID product warranty.

C. Domestic Piping Inlet

CAUTION

Never use dielectric fittings or galvanized steel fittings on any domestic water connections. Use only copper or brass fittings. Failure to do so will result in premature water heater failure. Such failure IS NOT covered by warranty.

Use both thread tape and pipe dope to connect an NPT brass tee. On the run, install a brass drain valve. In the branch, install an NPT male X 3/4" (minimum) pipe adapter. A shut-off valve between the city water supply and tank inlet is recommended for ease of service.

It may be recommended to use a back flow preventer - check local codes. If a back flow preventer or a no return valve is used, a thermal expansion tank must be installed on the cold water supply between the tank and valve. If the tank is replacing a tankless coil in the boiler, disconnect coil plumbing and use the cold inlet pipe and hot water outlet pipes for the water heater.

D. Temperature and Pressure Relief Valve

All models ship with the appropriate sized temperature and pressure valve (T&P) and must be installed as detailed in the piping diagrams in this installation manual.

Use both thread tape and pipe dope to install an NPT brass T&P relief valve for hot water heaters, as required by local codes but not less than valves certified as meeting the requirements for relief valves for hot water heaters (ANSI Z21.22 / CSA 4.4) by a nationally recognized lab that maintains periodic inspection of production listed equipment. Make sure the relief valve is sized to the BTU/Hour capacity of the water heater. The T&P valve must be plumbed down so discharge can exit at least 6" above the structural floor. The relief line cannot be in contact with any live electrical parts. If the relief valve constantly weeps install an expansion tank. See expansion tank manufacturer's instructions for suggestions.

WARNING

To avoid water damage or scalding due to relief valve operation:

- Discharge line must be connected to relief valve outlet and run to a safe place of disposal. Terminate the discharge line in a manner that will prevent possibility of severe burns or property damage should the relief valve discharge.
- Discharge line must be as short as possible and the same size as the valve discharge connection throughout its entire length.
- Discharge line must pitch downward from the valve and terminate at least 6" above the floor drain, making discharge clearly visible.
- The discharge line shall terminate plain, not threaded, with a material serviceable for temperatures of 375°F or greater.
- Do not pipe discharge to any location where freezing could occur.
- No valve may be installed between the relief valve and heater or in the discharge line. Do not plug or place any obstruction in the discharge line.
- Test the operation of the relief valve after filling and pressurizing the system by lifting the lever. Make sure the valve discharges freely. If the valve fails to operate correctly, immediately replace with a new properly rated relief valve.
- Test T&P valve at least once annually to ensure the waterway is clear. If valve does not operate, turn the heater "off" and call a plumber immediately.
- Take care whenever operating relief valve to avoid scalding injury or property damage.

FAILURE TO COMPLY WITH THE ABOVE GUIDELINES COULD RESULT IN FAILURE OF RELIEF VALVE OPERATION, RESULTING IN POSSIBILITY OF SUBSTANTIAL PROPERTY DAMAGE, SEVERE PERSONAL INJURY, OR DEATH.

RE-INSPECTION OF T&P RELIEF VALVES: T&P valves should be inspected AT LEAST ONCE EVERY THREE YEARS, and replaced if necessary, by a licensed plumbing contractor or qualified service technician to ensure that the product has not been affected by corrosive water conditions and to ensure that the valve and discharged line have not been altered or tampered with illegally. Certain naturally occurring conditions may corrode the valve and its components over time, rendering the valve inoperative. Such conditions can only be detected if the valve and its components are physically removed and inspected. **Do not attempt to conduct an inspection on your own.** Contact your plumbing contractor for a re-inspection to assure continued safety.

Do not thread a cap or plug into the relief valve or relief valve line under any circumstances! Explosion and property damage, serious injury, or death may result.

WARNING

FAILURE TO RE-INSPECT THE T&P VALVE AS DIRECTED COULD RESULT IN UNSAFE TEMPERATURE AND/OR PRESSURE BUILD-UP WHICH CAN RESULT IN PROPERTY DAMAGE, SERIOUS PERSONAL INJURY, OR DEATH.

E. Scalding

WARNING


An ASSE 1017 or ASSE 1070 temperature limiting or mixing valve is recommended in installations servicing disabled or elderly persons, or children. Mixing valves do not eliminate the risk of scalding. To avoid scalding:

- Set the water heater set point temperature as low as possible.
- Feel water before bathing or showering.
- If thermostatic valves are required, use devices specifically designed for such purpose. Install these devices in accordance with instructions provided by the manufacturer.

Failure to install a temperature limiting or mixing valve and follow these instructions could result in property damage, severe personal injury, or death due to scalds.

This water heater can deliver scalding water. Be careful whenever using hot water to avoid scalding injury. Certain appliances such as dishwashers and automatic clothes washers may require increased water temperatures. By setting the thermostat on this heater to obtain the increased water temperature required by these appliances you may create the potential for scald injury.

DANGER



Water temperature over 125°F can cause severe burns instantly or death from scalds. Children, disabled and elderly are at highest risk of being scalded. See instruction manual before setting temperature at water heater. Feel water before bathing or showering. Temperature limiting valves are available, see manual.

To protect against injury, install a mixing valve in the water system. This valve will reduce point of use discharge temperatures by mixing cold and hot water in branch supply lines. Such valves are available from your local plumbing supplier.

The following table details the relationship of water temperature and time with regard to scald injury and may be used as a guide in determining the safest water temperature for your applications.

Approximate Time / Temperature Relationships in Scalds	
120°F	More than 5 minutes
125°F	1 1/2 to 2 minutes
130°F	About 30 seconds
135°F	About 10 seconds
140°F	Less than 5 seconds
145°F	Less than 3 seconds
150°F	About 1 1/2 seconds
155°F	About 1 second

Table 4 - Approximate Time / Temperature Relationships in Scalds

F. Potable Expansion Tank

A potable hot water expansion tank may be required to offset heated water expansion. If there is a back flow preventer or any other type of no return or check valve in the system a thermal expansion tank IS MANDATORY. The expansion tank must be sized for the entire water volume of the hot water system. A weeping relief valve indicates the need for an expansion tank. See the Expansion Tank Application example in the Piping section for details.

G. Pressure Drop Sizing For Circulator

The boiler circulator flow rate must meet the requirements found in the water heater specifications, Part 2, this manual, or the published ratings cannot be achieved. The following flow chart below represents the pipe run, water heater, and heat exchanger ONLY and does not include any flow checks, zone valves, or friction loss through the boiler. That resistance must be added to the value found in the following chart.

Pressure Drop for Pipe Length of 1" Copper, Six 90° Elbows, and One Tee					
Pipe Size	20'	30'	40'	50'	60'
6 GPM	8.63	8.93	9.23	9.53	9.8
7 GPM	11.3	11.77	12.24	12.7	13.1
10 GPM	10.25	11.1	11.95	12.8	13.66
12 GPM	11.3	13.2	14.1	15	16
14 GPM	15.3	16.4	17.5	18.6	19.8
Pressure Drop for Pipe Length of 1 1/4" Copper, Six 90° Elbows, and One Tee					
Pipe Size	20'	30'	40'	50'	60'
20 GPM	10.9	11.7	12.6	13.4	14.3
22 GPM	14	15	16	17	18
24 GPM	16.2	17.5	18.8	20.1	21.5
28 GPM	20.4	22	23.6	25.2	26.8

Table 5 - Pressure Drop through 1" and 1 1/4" Copper

H. Applications

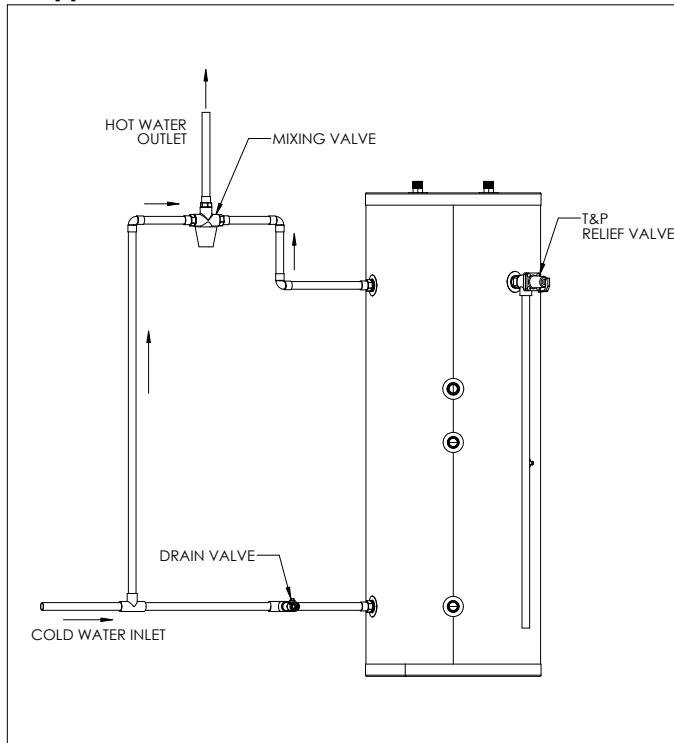


Figure 2 - Mixing Valve Installation

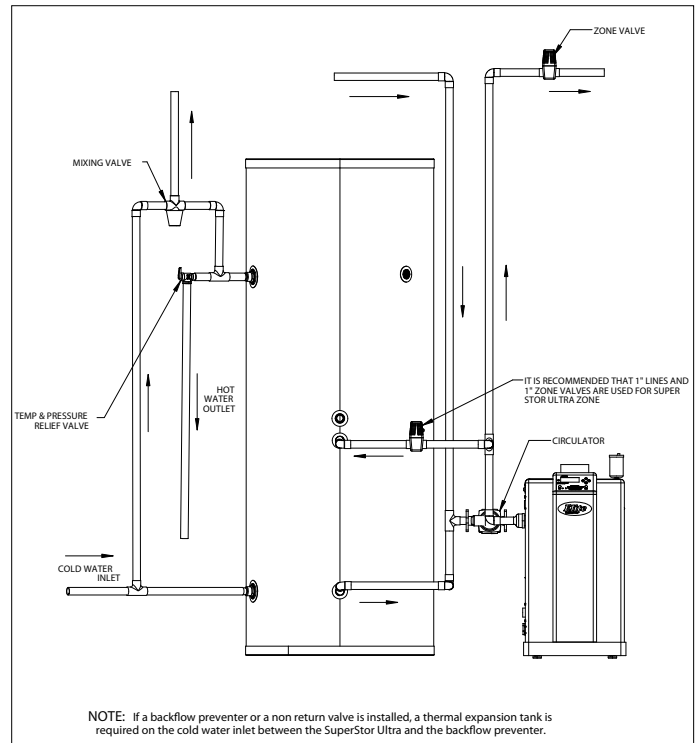


Figure 4 - Installation with High Efficiency Boiler

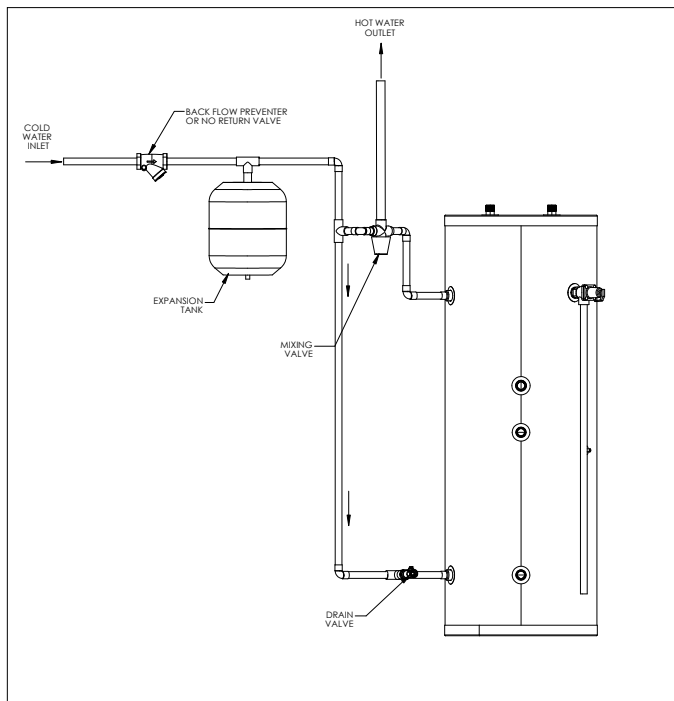


Figure 3 - Expansion Tank Application

NOTES:

1. Minimum pipe size should match connection size. Upsize pipe accordingly if greater flow is required.
2. A thermal expansion tank suitable for potable water must be sized and installed within this piping system between the backflow preventer and the cold water inlet.
3. All circulators should have an integral flow check.
4. Drains and check valve between the heating appliance and water heater will assist in purging air from system.
5. This drawing is meant to demonstrate system piping only. The installer is responsible for all equipment and detailing required by local codes. In Massachusetts, you must install a vacuum relief valve per 248 CMR.
6. Mixing valve application is optional, but recommended to help prevent scalding. See Part 3, Section E for more information.

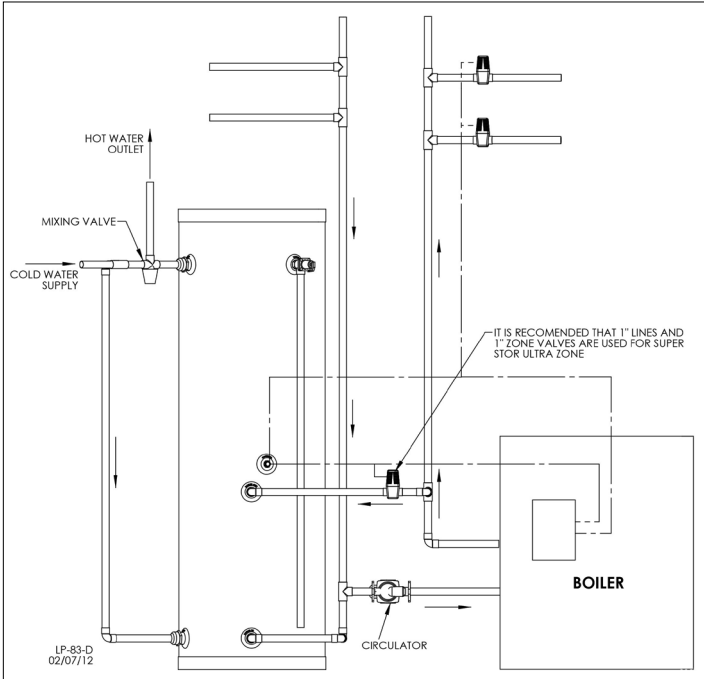


Figure 5 - Zoning with Zone Valves

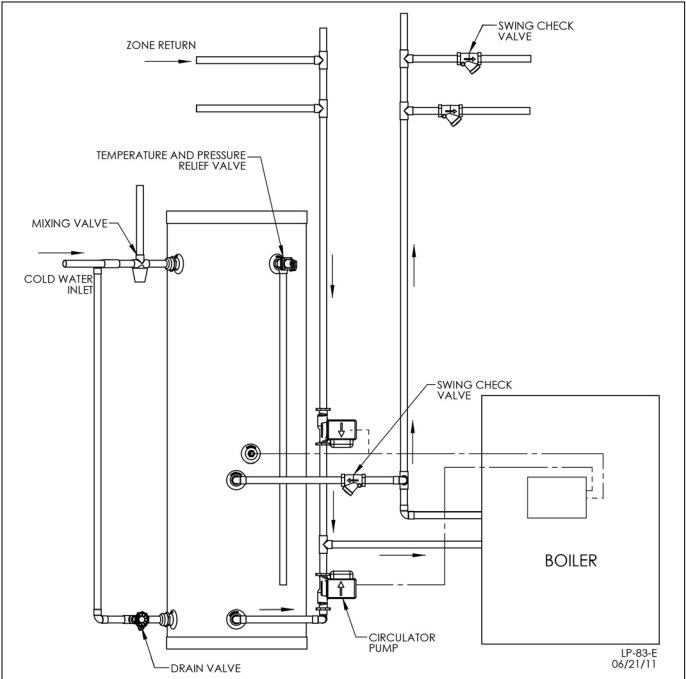


Figure 6 - Zoning with Circulators

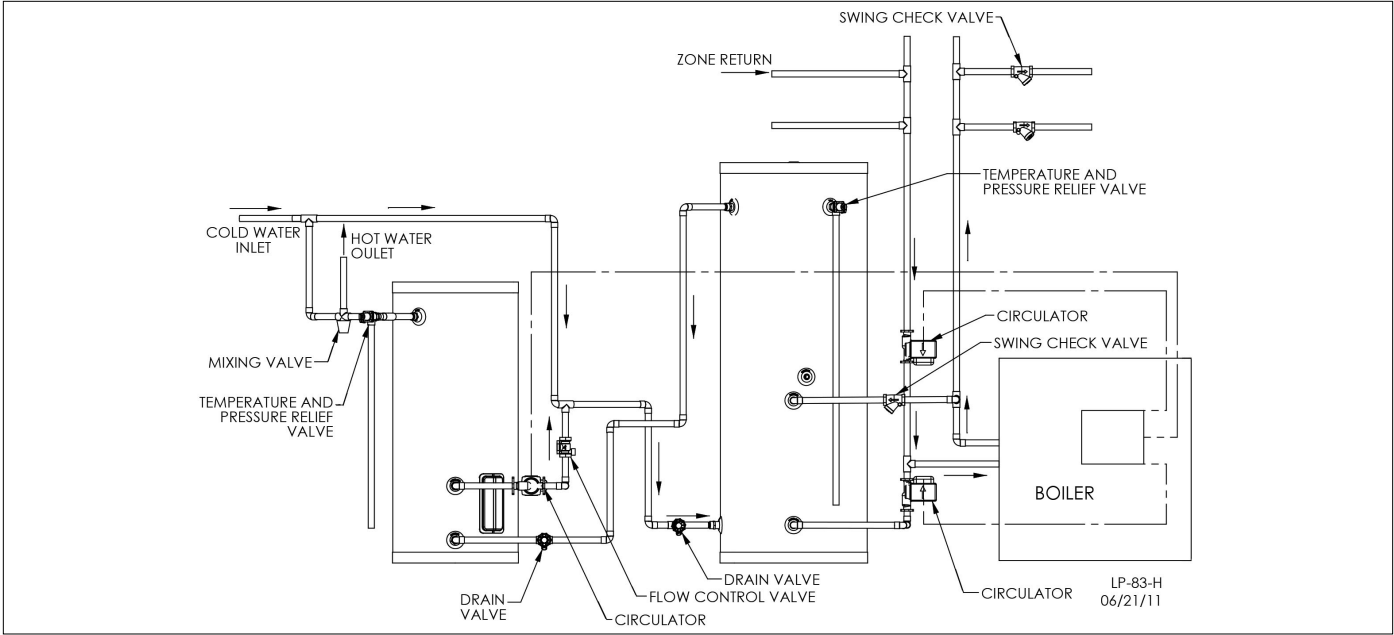


Figure 7 - Installation with Storage Tank

NOTES:

1. Minimum pipe size should match connection size. Upsize pipe accordingly if greater flow is required.
2. A thermal expansion tank suitable for potable water must be sized and installed within this piping system between the backflow preventer and the cold water inlet.
3. All circulators should have an integral flow check.
4. Drains and check valve between heating appliance and water heater will assist in purging air from system.
5. This drawing is meant to demonstrate system piping only. The installer is responsible for all equipment and detailing required by local codes. In Massachusetts, you must install a vacuum relief valve per 248 CMR.
6. Mixing valve application is optional, but recommended to help prevent scalding. See Part 3, Section E for more information.

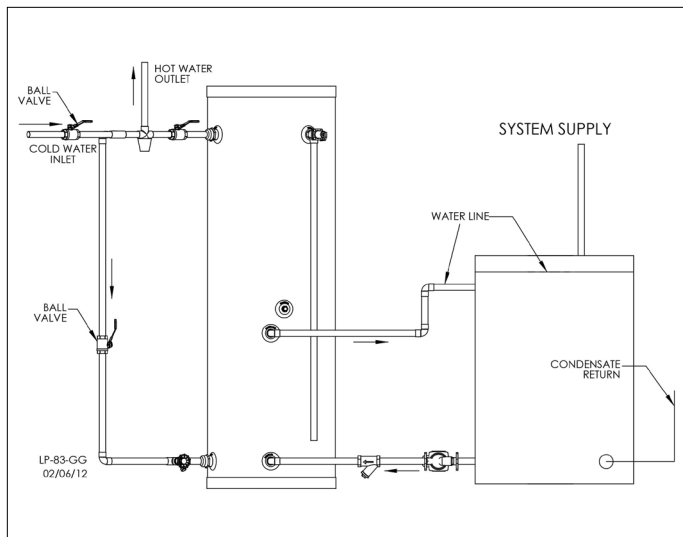


Figure 8 - Steam Boiler

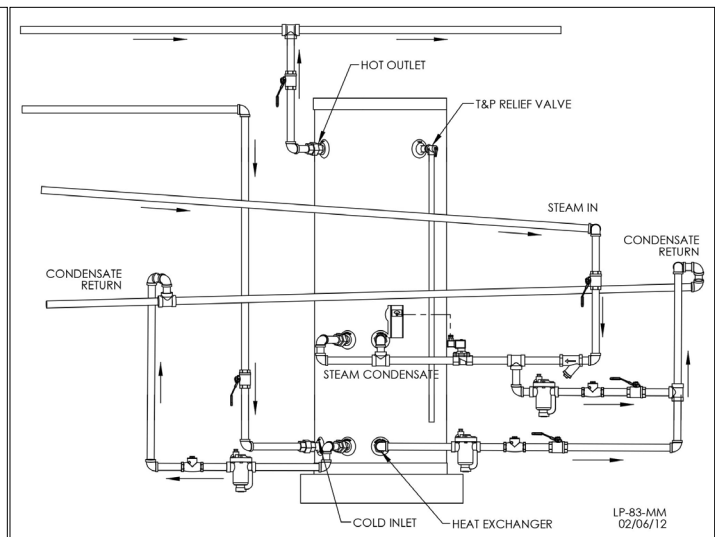


Figure 9 - Live Steam Installation

NOTE: On Steam Boiler Applications, the indirect heat exchanger supply and return connections must be below the water line from the boiler connection. The internal flow check or spring check must be used to avoid thermal siphoning from the connected boiler. A basket strainer should also be used to avoid sludge and sediment getting into the pump or heat exchanger.

⚠ WARNING

Live Steam Applications are allowed ONLY on 80 and 119 gallon models. Using any other SSU T SSU 2.0 model in live steam applications will result in product failure and void the warranty. Pressure of steam in the indirect heat exchanger MUST NOT EXCEED 10 PSI. Failure to follow these instructions could result in product failure, substantial property damage, severe personal injury, or death, and WILL VOID product warranty.

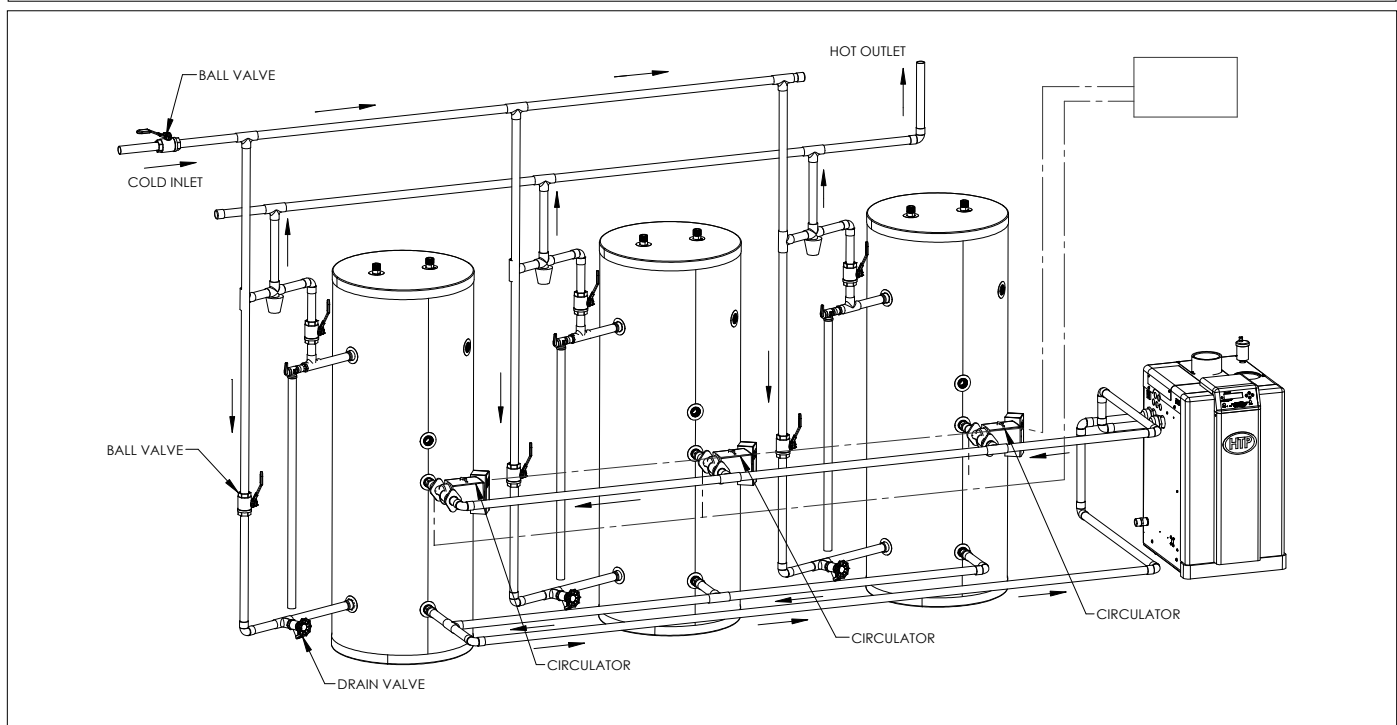


Figure 10 - Multiple Tank Installation

NOTES:

1. Minimum pipe size should match connection size. Upsize pipe accordingly if greater flow is required.
2. A thermal expansion tank suitable for potable water must be sized and installed within this piping system between the backflow preventer and the cold water inlet.
3. All circulators should have an integral flow check.
4. Drains and check valve between heating appliance and water heater will assist in purging air from system.
5. This drawing is meant to demonstrate system piping only. The installer is responsible for all equipment and detailing required by local codes. In Massachusetts, you must install a vacuum relief valve per 248 CMR.
6. Mixing valve application is optional, but recommended to help prevent scalding. See Part 3, Section E for more information.
7. All piping in parallel used for large dumps of hot water, high usage, and short duration.
8. Massachusetts requires a limit of four (4) tanks per mechanical room. Consult with your local inspector.

Part 4 - Heater Control and Wiring

A. Control

Install control element into the control well and tighten into place with screws on the control body. Thermal conductive paste is recommended. Once the control is operational, it is important to make sure the control is maintaining the desired operating temperature.

CAUTION

NOTE: DO NOT attempt to remove the control well! The control well is welded to the water heater. Attempting to remove the control well will result in product damage, leakage, and possible property damage. Such damages are not covered by product warranty.

B. Wiring

Wiring is to be done in accordance with all applicable local and state codes. Turn off all power related to the boiler before starting any wiring procedures. It is recommended that a disconnect switch be installed between the boiler control and the water heater.

CAUTION

When wiring the water heater and controls be sure to label all wires to ease future maintenance. Wiring errors can cause improper and dangerous operation.

C. Wiring Diagrams

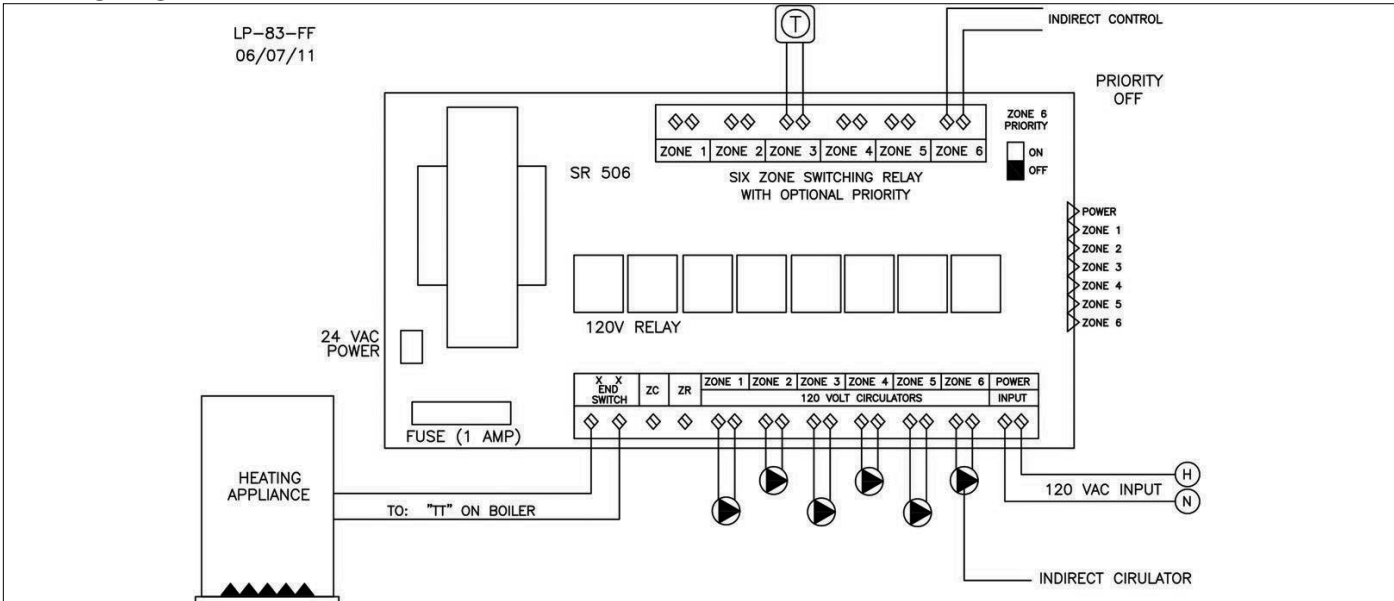


Figure 11 - Wiring with Circulators

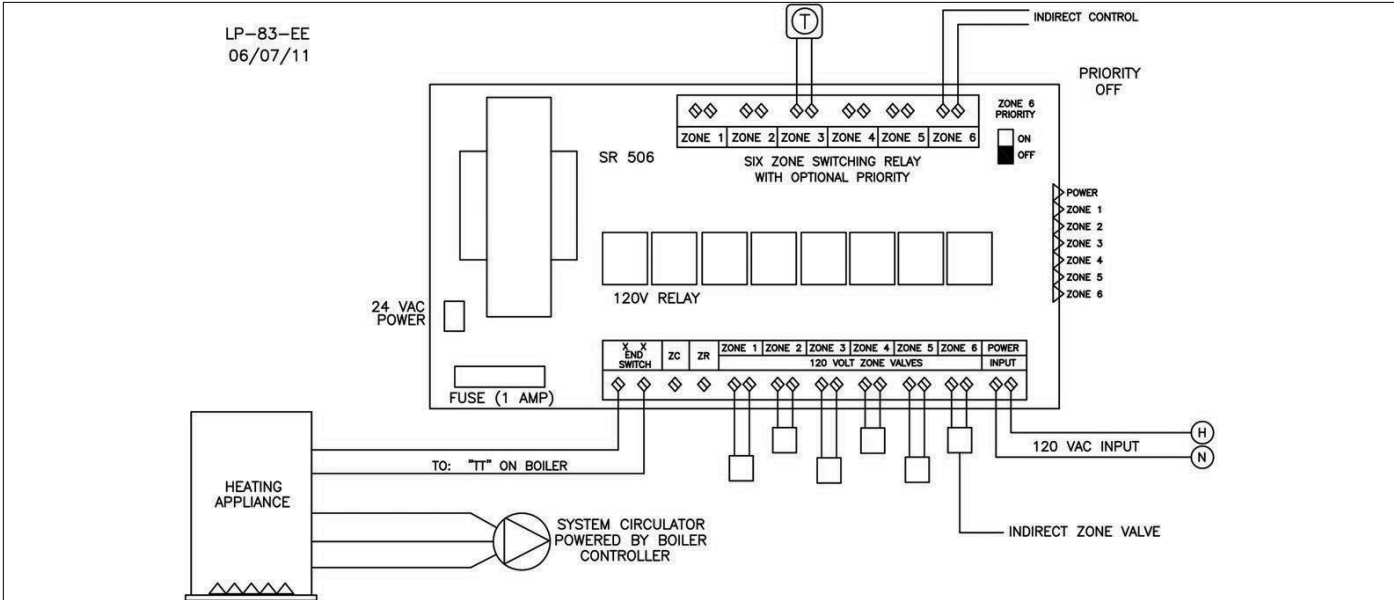


Figure 12 - Wiring with Zone Valves

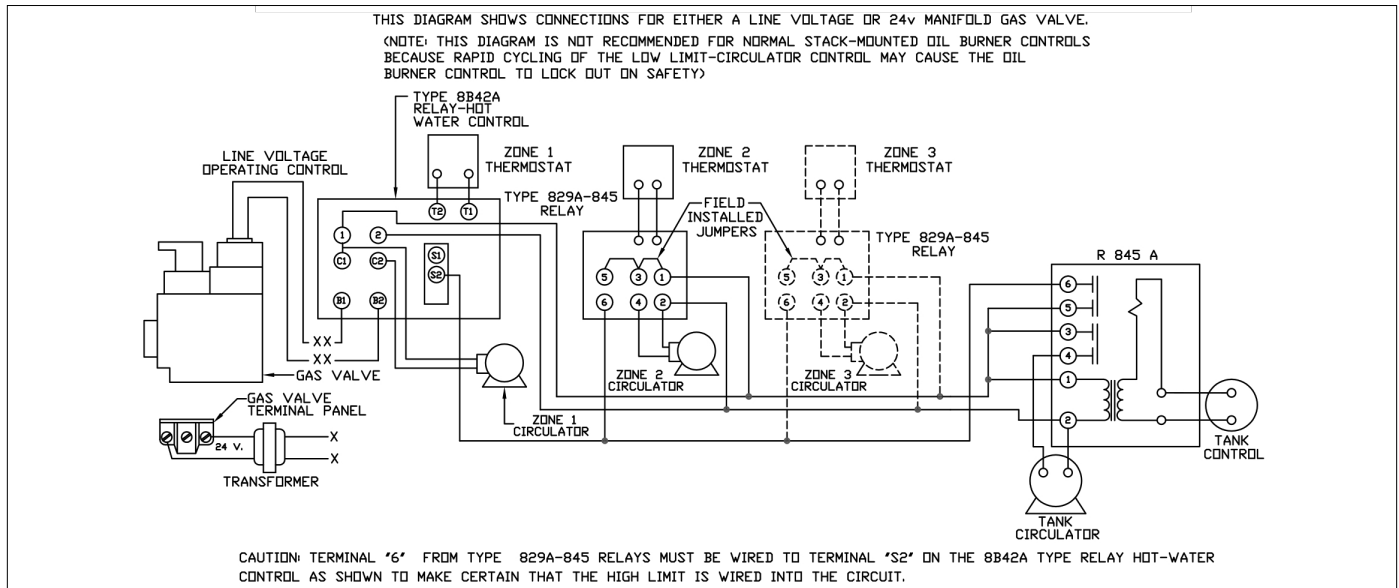


Figure 13 - Zoning with Circulators - R845A Relay

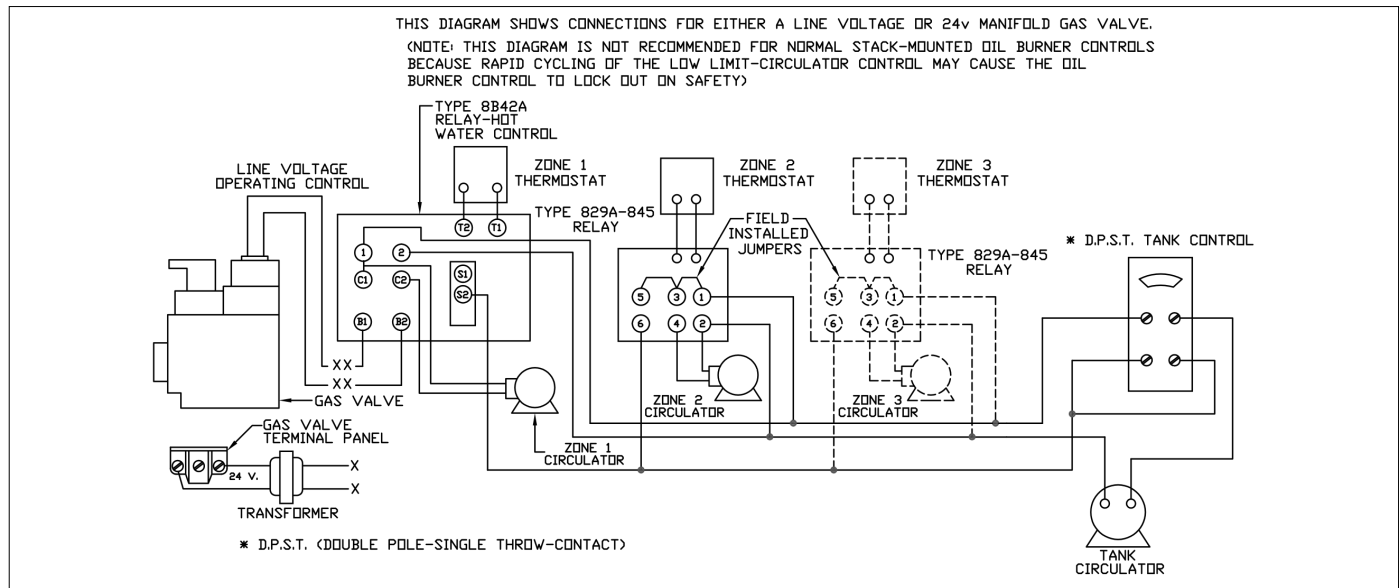


Figure 14 - Zoning with Circulators Using R8182D and DPST - No Relay Required

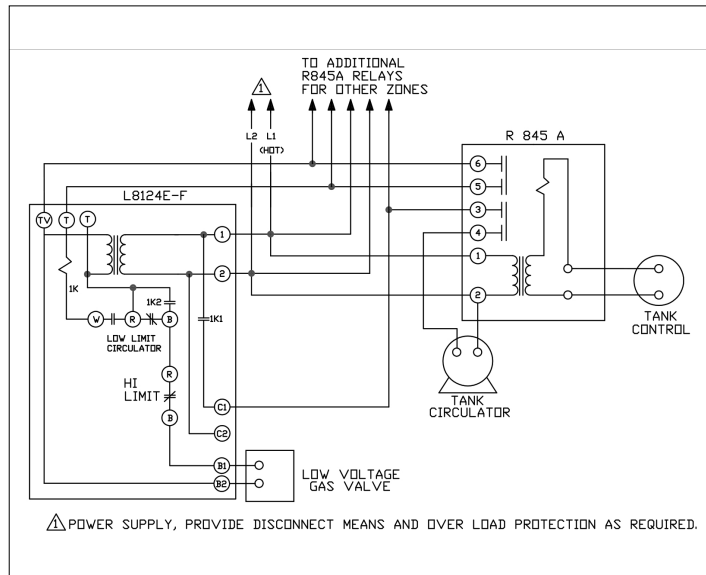


Figure 15 - Zoning with Circulators Using L8124 A, C, and R845A Relay

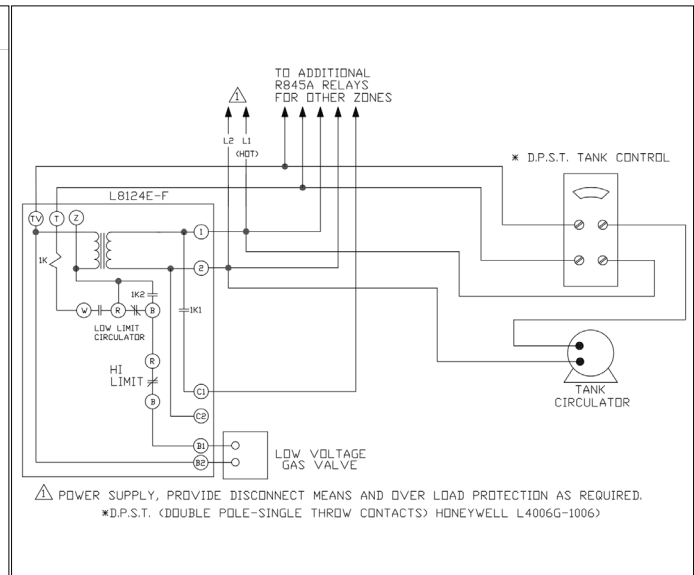


Figure 16 - Zoning with Circulators Using L8124 A, C, and DPST Control - No Relay Required

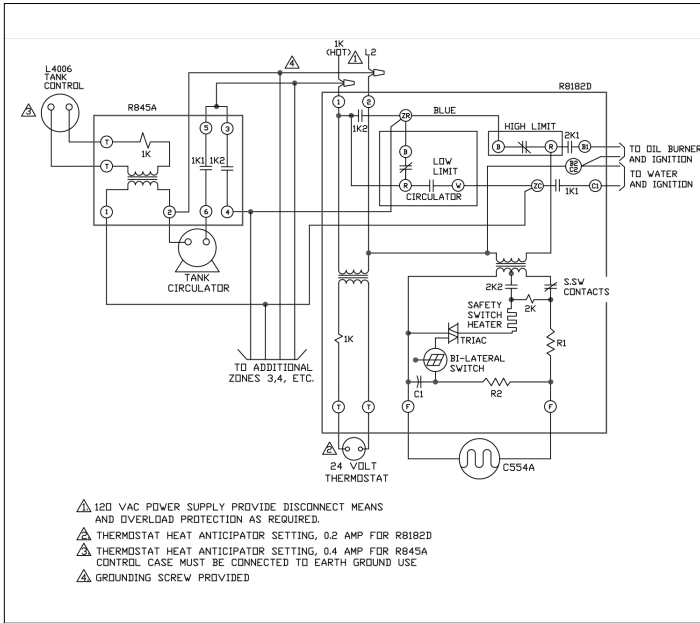


Figure 18 - Zoning with Circulators - R8182D and R845A Relay

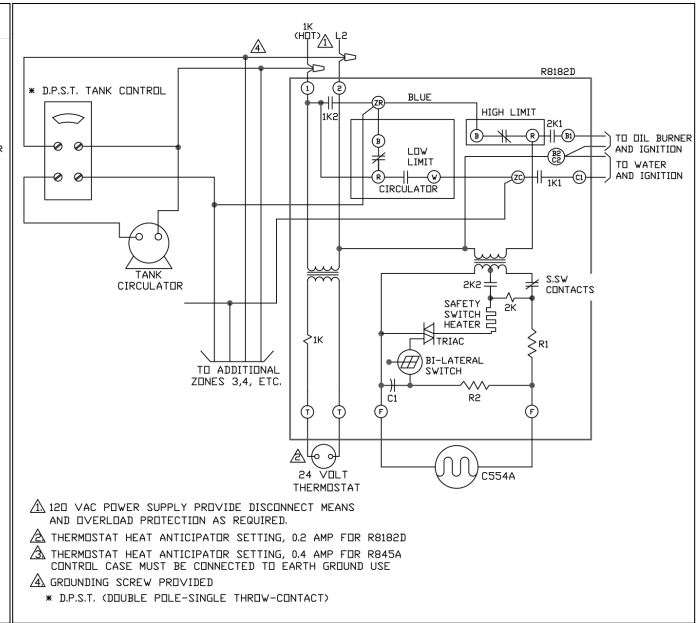


Figure 19 - Control with Built-In DPST Switch - No Relay Required

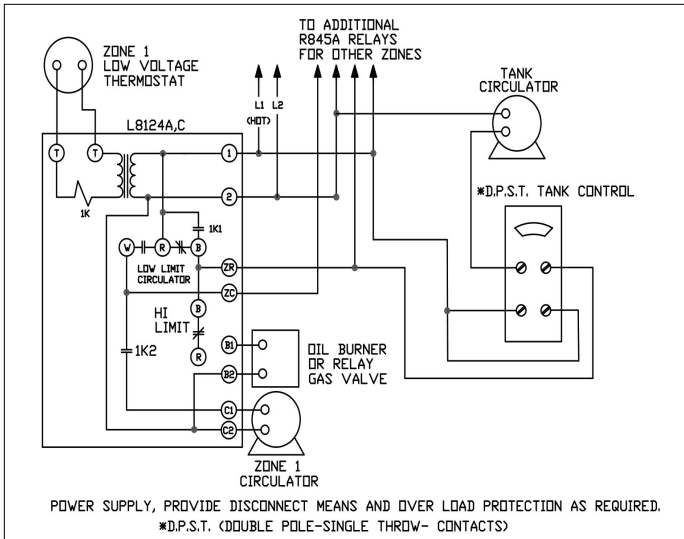


Figure 20 - Zoning with Circulators Using L8124 E-F, and R845A Relay

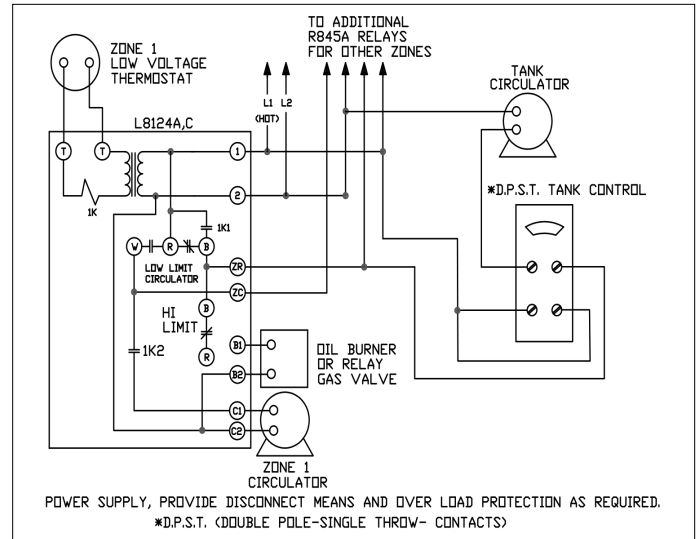


Figure 21 - Zoning with Circulators Using L8124 E-F, and DPST - No Relay Required

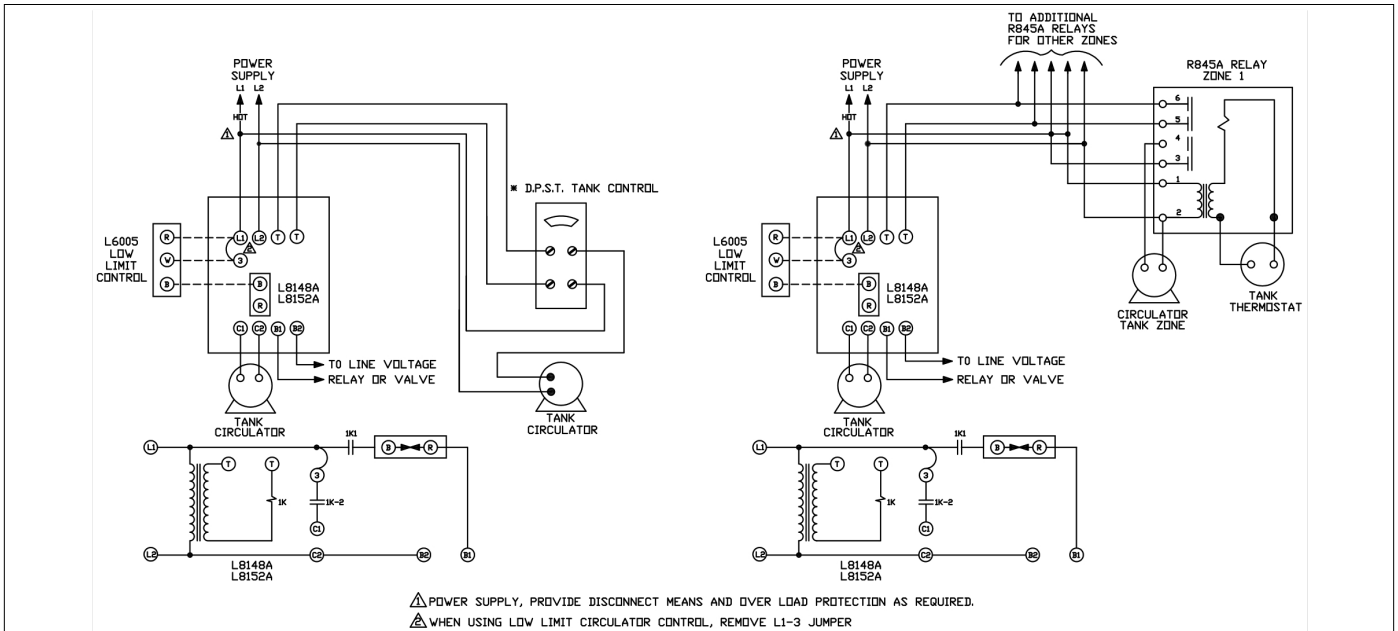


Figure 17 - Using L8148A or L8152A Cold Start Boiler Control with Circulators

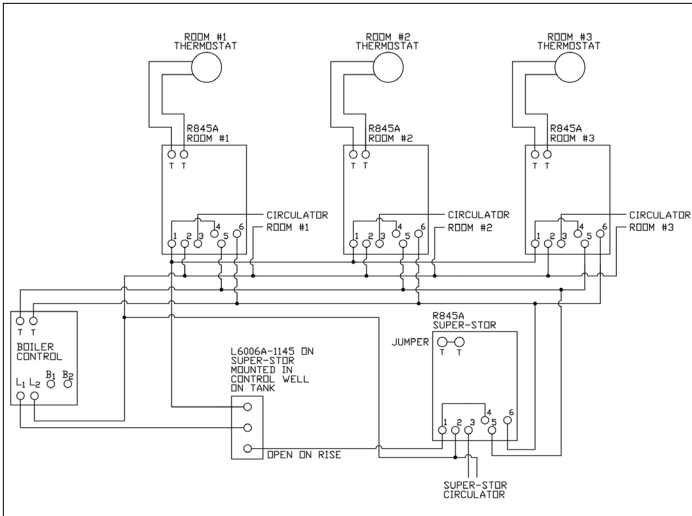


Figure 22 - Priority Zone with Circulators

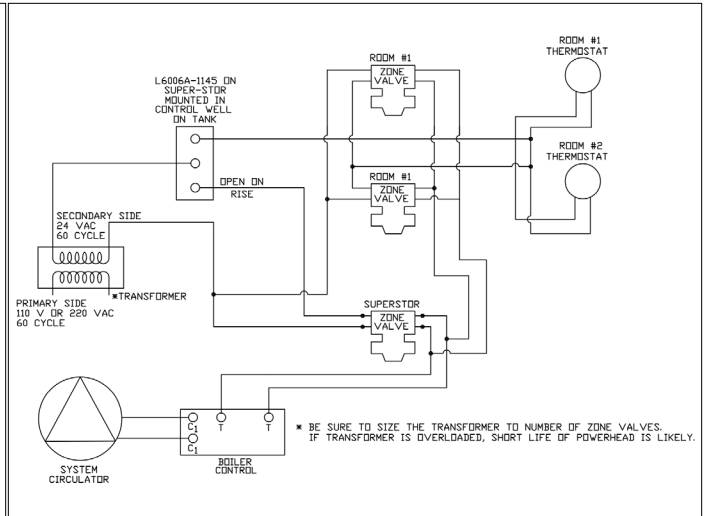


Figure 23 - Priority Zone with Zone Valves

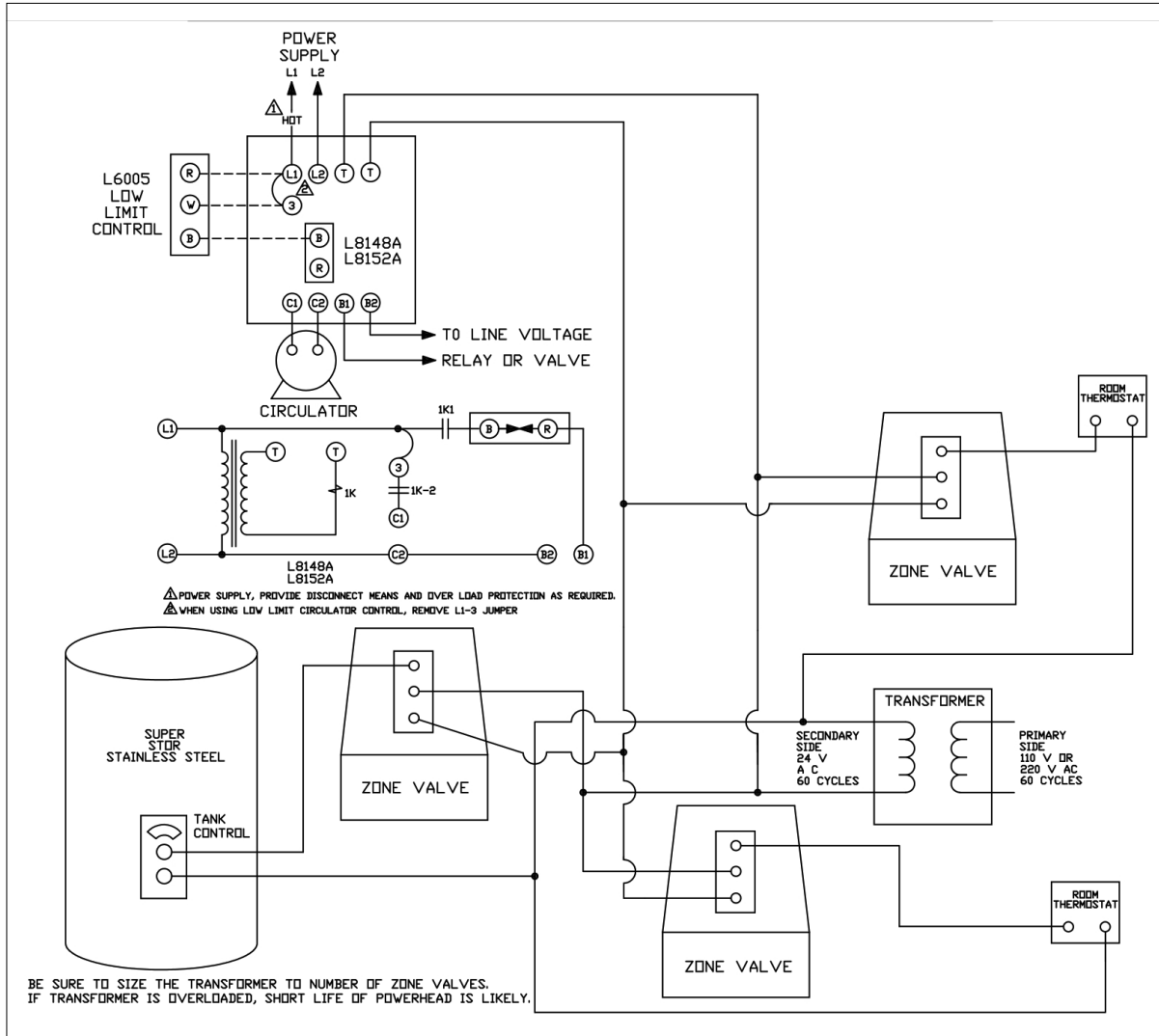


Figure 24 - Using L8148A or L8152A Cold Start Boiler Control with Zone Valves

Part 5 - Start-Up and Operation

1. Fill the water heater by opening the cold water shut-off valve. Purge air from the system by opening a hot water outlet at a fixture in a kitchen or bathroom. When water flows freely from the outlet, the system is purged.

CAUTION

When filling the water heater, open a hot water tap to release air in the tank and piping to ensure proper water heater operation. Failure to ensure the water heater is full before turning on the system will result in damage to the water heater, and could result in property damage. Such damages ARE NOT covered by warranty.

2. Check the system for leaks.

CAUTION

Fix any leaks before continuing the installation. Failure to do so could result in property damage or personal injury.

3. After ensuring there are no leaks within the system, flush the system to clear any soldering residue. Many soldering fluxes contain Zinc Chloride, which can corrode stainless steel.

Draw at least three times the volume of the water heater to properly flush the system.

4. Initiate a call for hot water. Ensure each zone valve or circulator operates only when its thermostat calls for heat. Purge each zone of air to ensure proper operation.

5. Set the water heater to the desired temperature. Boiler high limit should be set at least 20°F higher than the heater temperature. Set the low limit of the boiler control at the minimum setting - this will call the burner on only to satisfy the tank control.

A water heater temperature setting of 120°F is recommended. However, a lower temperature setting may be required to comply with local and state codes for normal operation. The differential should

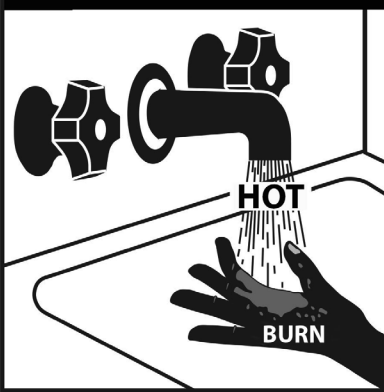
be set at 10 to 15°F. Installation conditions may require a higher or lower temperature setting. A mixing valve in conjunction with a high temperature setting may be used for high demand applications (spas, hot tubs, whirlpools).

6. When the system is completely flushed, purged of air, and the temperature is set, turn on the boiler. Observe operation. Ensure the boiler shuts down after the indirect water heater set point is satisfied.

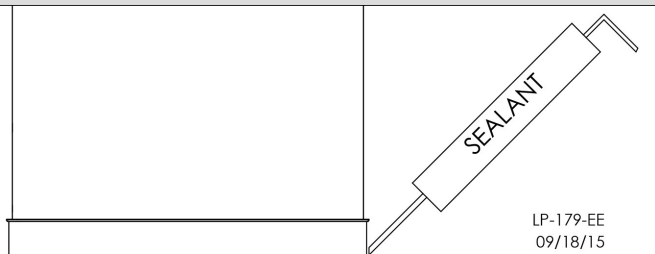
WARNING

Risk of scald injury increases as you increase water temperature.

DANGER



Water temperature over 125°F can cause severe burns instantly or death from scalds. Children, disabled and elderly are at highest risk of being scalded. See instruction manual before setting temperature at water heater. Feel water before bathing or showering. Temperature limiting valves are available, see manual.



LP-179-EE
09/18/15

Sealing Per NSF Standard 5 - For Sanitary Applications
Apply a 3/8" bead of RTV Silicone completely around the tank to seal the base to the floor and prevent seepage underneath.

Figure 25 - Sealing the Water Heater for Sanitary Applications

Table 1-3 Superstor Ultra EVO System Contents

MODEL	Temperature and pressure Relief Valve, 150psi
SSU EVO - 30N	6TP1500
SSU EVO - 45N	
SSU EVO - 60N	

MODEL	Temperature and pressure Relief Valve, 150psi
SSU EVO - 80N	6500823600
SSU EVO - 119N	

Part and Service - See Table 1-3 for a list of components included with each tank. For inside sales or technical support, contact HTP Technical Support at 1-800-323-9651

Part 6 - Maintenance and Troubleshooting

Considerations

- To avoid electric shock, disconnect electrical supply before performing maintenance.
- To avoid severe burns, allow the heater to cool before performing maintenance.

NOTE: In addition to the routine maintenance detailed in this manual, this water heater should be inspected annually by a qualified service technician to ensure that all the equipment is operating safely and efficiently. The owner should make necessary arrangements with a qualified heating contractor for periodic maintenance of the heater. The installer must also inform the owner that lack of proper care and maintenance may result in a hazardous condition, premature heater failure, and void the warranty.

Routine preventative maintenance ensures the water heater operates safely and efficiently over its service life. The **Owner / User** may perform the maintenance activities described below.

Monthly (Every two weeks in hard water locations)

It is recommended that a few quarts of water be drained from the heater. This will flush sediment deposits from the bottom of the heater and lengthen the heater's service life.

WARNING

Water drained from the water heater may be scalding hot. Take care to avoid scalding. Wear gloves and safety glasses, and direct water to a safe drainage location. It is recommended to turn down the water heater thermostat and run hot water from a faucet until it cools BEFORE draining water from the heater. Failure to comply with this warning could result in property damage, severe personal injury, or death.

To flush the tank, attach a hose to the field installed drain valve. Open the drain valve. Direct the flow of water to a drain or bucket where it will not cause damage.

Flush until water runs clear to complete this operation. Then close the drain valve.

Periodically (At least twice a year)

Check around the water heater and related plumbing for leaks. If the combination temperature and pressure relief valve discharges periodically, or water is leaking from the water heater, there may be a problem with your water system. **DO NOT ATTEMPT TO REPAIR LEAKS YOURSELF!** Contact a qualified service contractor for assistance.

Check the area around the water heater for flammable liquids or combustible materials. If any are found, remove from the area.

Vacation (Extended shut-off periods)

During extended mild or warm weather periods when hot water will not be in use, lower the setpoint temperature on the water heater thermostat. When hot water is needed again, raise the setpoint temperature on the water heater thermostat.

Drain the water heating system (as detailed in this section) if the water heater will be shut off and exposed to freezing temperatures. The boiler water may need to be drained as well if it does not contain sufficient antifreeze. Contact a qualified service contractor for assistance.

Fill the water heating system (as detailed in this section) when hot water is needed again. Contact a qualified service contractor for assistance if the boiler water must be filled.

Draining the Water Heater

STEP #1 - Turn off power to the water heating system, preferably at the circuit breaker.

WARNING

Failure to cut power off to the water heating system before draining may result in property damage, severe personal injury, or death due to electric shock.

STEP #2 - Run hot water at a faucet in the system. When it runs cold, shut off the faucet. Then shut off water at the main cold water inlet or, if possible, valve off the water heater from the system.

STEP #3 - Open the T&P valve or a hot water tap to prevent vacuum buildup in the tank and piping. Then open the drain valve on the water heater to drain the water from the isolated water heater or water heating system.

STEP #4 - Close the valve(s) and faucet after the water is drained.

To Fill the Water Heater and System:

STEP #1 - Open a hot water tap high in the system to bleed any air pressure. Water will flow freely when air is completely bled.

WARNING

When filling the water heater, open a hot water tap to release air in the tank and piping. The tank must be full of water before the heater is turned on. Failure to ensure the water heater is full before turning it on will result in damage to the water heater, and could result in property damage, serious personal injury, or death. Such damages ARE NOT covered by water heater warranty.

STEP #2 - Open the main cold water inlet. If the water heater has been isolated from the system, open the isolation valves. Refill the tank with cold water.

STEP #3 - Close the tap when air is completely bled from the system and water is flowing freely. Check the water heater and system for leaks.

STEP #4 - Turn power back on to the domestic water heating system and observe operation. Ensure the water heater is operating properly.

The maintenance activities described below are only to be performed by the **Installer / Qualified Service Provider**. These maintenance items should be performed during recommended **annual** service and any service calls.

1. Ask the owner / user if there have been any issues with the water heater. Diagnose any heater issues and repair / replace parts as necessary.
2. Check the water heater and related plumbing for leaks. Repair any that are found.
3. Check the area around the water heater for flammable liquids or combustible materials. If any are found, remove from the area.
4. Inspect the Temperature and Pressure (T&P) Relief Valve. See instructions, this manual.
5. Turn power supply off to the water heater. Open the drain valve and drain a few gallons of water from the tank to clear any hard water deposits. Once complete, close the drain valve and restore power to the water heater.

Annual Maintenance Activities		Date Last Completed			
Piping		1st Year	2nd Year	3rd Year	4th Year
Near heater piping	Check heater and system piping for any sign of leakage; make sure pipes are properly supported.				
System					
Visual	Do a full visual inspection of all system components. Ensure all components (including boilers, water treatment systems, mixing valves, circulators, etc.) are operating properly and have been maintained.				
Functional	Test all functions of the system. Perform any maintenance required by local codes. Verify system pressure is in the safe operating range.				
Temperatures	Check control for temperature accuracy. *Verify safe settings on Mixing Valve (if installed in system).				
Electrical					
Smoke and CO Detectors	*Verify devices are installed and working properly. Change batteries if necessary.				
Circuit Breakers	Check to see that the circuit breaker is clearly labeled. Exercise circuit breaker.				
Connections	Check wire connections. Make sure they are tight.				
Relief and Drain Valve					
Relief Valve	Lift and release the relief valve on the water heater. Make certain that the valve operates properly by allowing several gallons to flush through the discharge line. Replace if valve is blocked or does not operate properly. NOTE: TAKE CAUTION WHEN OPERATING RELIEF VALVE. DISCHARGED WATER MAY PRESENT A SCALD RISK.				
Drain Valve	Open the drain valve and drain a few quarts of water from the bottom of the tank to flush any hard water deposits. Replace if valve is blocked or does not operate properly. NOTE: TAKE CAUTION WHEN OPERATING DRAIN VALVE. DRAINED WATER MAY PRESENT A SCALD RISK.				
Final Inspection					
Check for Combustibles	Check area around heater for combustible materials such as gasoline or paint thinner. If combustible materials are found, move away from the heater to a safe location.				
Checklist	Verify that you have completed the entire checklist. WARNING: FAILURE TO DO SO COULD RESULT IN SERIOUS INJURY OR DEATH.				
Homeowner	Review what you have done with the homeowner.				
Initial and Date after Inspection / Service. Continue Inspections Annually beyond the Fourth Year.					

Table 6 - Maintenance Activities Checklist - *If Applicable to System

Problem	Reason	Remedy
No Hot Water	Zone Valve Not Opening	Open manually or replace
	Circulator Not Operating	Check or replace
	Tank Control Set Too Low	Raise tank temperature*
	Boiler Control Set Too Low	Raise boiler temperature
	Wiring Incorrect	Check wiring
	Tank Control Failure	Replace control
	Zone Valve Failure	Replace Valve
	Circulator Failure	Replace Circulator
	Air Trap in Loop	Purge Air
Not Enough Hot Water	Zone valve restriction	1" full bore replace zone valve
	Circulator arrow reversed	Reverse circulator
	Tank temperature too low	Raise tank temperature*
	Boiler temperature too low	Raise boiler temperature
	Demand flow rate too high	Install mixing valve. Raise tank temperature
	Air trap in loop	Purge air
		Install flow regulator
	Heat and tank come on together	Check wiring or set indirect as priority over heating
Draw tank down and lower thermostat. Recheck.		
T&P Valve Discharges	Tank Temperature Too High	Lower tank temperature
	Water Expands When Heated	Install expansion tank
	Water Pressure Too High	Install pressure reducing valve
Hot Tubs, Spas, Multiple Showers, High Demand	Pressure Too Low	Check line pressure for restriction
	Tank recovery slow	Check flow rate. Compare to chart
	Not enough hot water	Check flow rate. Compare to chart
Demand too great. Check flow rates and compare to chart. Install mixing valve and/or flow restricting valve and raise tank and boiler temperature.*		
Hot Water Has Rotten Egg Odor	Supply water has high sulfate or mineral content	Check with water quality specialist in your area. Have water supply analyzed. Address water quality issues according to specialist's recommendations.

Table 7 - Troubleshooting - *See scald warning below.

WARNING

The risk of scald injury increases as you increase water temperature. Use a water tempering or mixing valve and extreme caution when using hot water to avoid scald injury. Consult codes for conformance. Failure to follow the instructions in this warning statement could result in serious personal injury or death from scalds.

CAUTION

If draining of the water heater is necessary, open the T&P valve or a hot water tap to prevent vacuum buildup in the tank and piping.

**SSU EVO Indirect Fired Water Heater
Limited Warranty
For Residential Use**

HTP warrants each indirect fired water heater to be free from defects in materials and workmanship according to the following terms, conditions, and time periods. UNLESS OTHERWISE NOTED THESE WARRANTIES COMMENCE ON THE DATE OF INSTALLATION. This limited warranty is only available to the **original consumer purchaser** (hereinafter "Owner") of the water heater, and is non-transferable.

<p>Standard Residential Use Warranty (Ten [10] years – Tank, One [1] year – Components)</p>
<p>Standard Residential Use shall mean water heaters not registered online with HTP used in a single family dwelling, or usage in a multiple family dwelling, provided that the water heater services only one (1) dwelling in which the Owner resides on a permanent basis and operating temperatures do not exceed 140°F.</p>
<p>Extended Residential Use Warranty (Lifetime – Tank, One [1] year – Components)</p>
<p>Extended Residential Use coverage shall apply to residential use water heaters registered online with HTP at www.htproducts.com/warranty within six (6) months of the installation date. See the information provided on the following page of this document for registration details.</p>

COVERAGE

- A. During the first year after the original date of installation in the dwelling, HTP warrants that it will repair or replace, at its option, any defective or malfunctioning component of the water heater. Replacement components will be warranted for ninety (90) days.
- B. Should a defect or malfunction result in a leakage of water from the water heater within the above-stated warranty periods due to defective material or workmanship, malfunction, or failure to comply with the above warranty, with such defect or malfunction having been verified by an authorized HTP representative, HTP will replace the defective or malfunctioning water heater with a replacement of the nearest comparable model available at the time of replacement. The replacement water heater will be warranted for the unexpired portion of the applicable warranty period of the original water heater.
- C. In the event of a leakage of water of a replacement water heater due to defective material or workmanship, malfunction, or failure to comply with the above warranty, HTP reserves the right to refund to the Owner the published wholesale price available at the date of manufacture of the original water heater.
- D. If government regulations, industry certification, or similar standards require the replacement water heater or component(s) to have features not found in the defective water heater or component(s), the Owner will be charged the difference in price represented by those required features. If the Owner pays the price difference for those required features and/or to upgrade the size and/or other features available on a new replacement water heater or component(s), the Owner will also receive a complete new limited warranty for that replacement water heater or component(s).
- E. If at the time of a request for service the Owner cannot provide a copy of the original sales receipt or the warranty registration, the warranty period for the water heater shall then be deemed to have commenced thirty (30) days from the date of manufacture of the water heater and NOT the date of installation of the water heater.
- F. This warranty extends only to water heaters utilized in water heating applications that have been properly installed by qualified professionals based upon the manufacturer's installation instructions.
- G. It is expressly agreed between HTP and the Owner that repair, replacement, or refund are the exclusive remedies of the Owner.

OWNER RESPONSIBILITIES

The Owner or Qualified Installer / Service Technician must:

- 1. Have a relief valve bearing the listing marks of the American Society of

- Mechanical Engineers (ASME) installed with the water heater assembly in accordance with federal, state, and local codes.
- 2. Have a vacuum relief valve certified to ANSI Z21.22 - Relief Valves for Hot Water Supply Systems - installed with the water heater assembly in accordance with federal, state, and local codes and in installations prone to vacuum related damages.
- 3. Maintain the water heater in accordance with the maintenance procedure listed in the manufacturer's provided instructions. Preventive maintenance can help avoid any unnecessary breakdown of the water heater and keep it running at optimum efficiency.
- 4. Maintain all related system components in good operating condition.
- 5. Use the water heater in an open system, or in a closed system with a properly sized and installed thermal expansion tank.
- 6. Use the water heater at water pressures not exceeding the working pressure shown on the rating plate.
- 7. Keep the water heater free of damaging scale deposits.
- 8. Make provisions so if the water heater or any component or connection thereto should leak, the resulting flow of water will not cause damage to the area in which it is installed.

WARRANTY EXCLUSIONS

- This limited warranty will not cover:
- 1. Any water heater purchased from an unauthorized dealer.
 - 2. Any water heater not installed by a qualified heating installer / service technician, or installations that do not conform to ANSI, CSA, and/or UL standards, as well as any applicable national or local building codes.
 - 3. Service trips to teach the Owner how to install, use, maintain, or to bring the water heater installation into compliance with local building codes and regulations.
 - 4. The workmanship of any installer. The manufacturer disclaims and does not assume any liability of any nature caused by improper installation, repair, or maintenance.
 - 5. Electricity or fuel costs, or increased or unrealized savings for same, for any reason whatsoever.
 - 6. Any water damage arising, directly or indirectly, from any defect in the water heater or component part(s) or from its use.
 - 7. Any incidental, consequential, special, or contingent damages or expenses arising, directly or indirectly, from any defect in the water heater or the use of the water heater.
 - 8. Failure to locate the water heater in an area where leakage of the tank or water line connections and the relief valve will not result in damage to the area adjacent to the water heater or lower floors of the structure, as well as failure to install the water heater in or with a properly sized drain pan routed to an approved drainage location.
 - 9. Any failed components of the system not manufactured by HTP as part of the water heater.
 - 10. Water heaters repaired or altered without the prior written approval of HTP.
 - 11. Damages, malfunctions, or failures resulting from improper installation, or failure to install the water heater in accordance with applicable building codes/ordinances or good plumbing and electrical trade practices; or failure to operate and maintain the water heater in accordance with the manufacturer's provided instructions.
 - 12. Damages, malfunctions, or failures resulting from failure to operate the water heater at pressures not exceeding the working pressure shown on the rating label.
 - 13. Failure to operate the water heater in an open system, or in a closed system with a properly sized and installed thermal expansion tank.
 - 14. Failure or performance problems caused by improper sizing of the water heater, expansion device, or piping.
 - 15. Damages, malfunctions, or failures resulting from vacuum conditions.
 - 16. Damages, malfunctions, or failures caused by operating the water heater with modified, altered, or unapproved components, or any component / attachment not supplied by HTP.
 - 17. Damages, malfunctions, or failures caused by abuse, accident, fire, flood, freeze, lightning, electrochemical reaction, acts of God and the like.
 - 18. Tank failures (leaks) caused by operating the water heater in a corrosive or contaminated atmosphere.
 - 19. Damages, malfunctions, or failures caused by operating the water

heater with an empty or partially empty tank ("dry firing"), or failures caused by operating the water heater when it is not supplied with potable water, free to circulate at all times.

20. Failure of the heater due to the accumulation of solid materials or lime deposits.

21. Any damages or failures caused by using any models other than SSU EVO 80 and 119 gallon models in live steam applications.

22. Any damages or failures caused by live steam pressures in excess of 10 PSI in the indirect heat exchanger.

23. Any damage or failure resulting from improper water chemistry. WATER CHEMISTRY REQUIREMENTS (RESIDENTIAL USE) – Water pH between 6 and 8. Operating temperatures not exceeding 140°F. Hardness less than 12 grains (200 mg/L). Chloride concentration less than 80 ppm (mg/L). TDS less than 500 ppm (mg/L).

24. Any damages, malfunctions, or failures resulting from the use of dielectric unions.

25. Production of noise, taste, odors, discoloration, or rusty water.

26. Water heaters replaced for cosmetic reasons.

27. Components of the water heater that are not defective, but must be replaced during the warranty period as a result of reasonable wear and tear.

28. Components of the water heater that are subject to warranties, if any, given by their manufacturers; HTP does not adopt these warranties.

29. Damages, malfunctions, or failures resulting from the use of any attachment(s) not supplied by HTP.

30. Water heaters installed outside the fifty states (and the District of Columbia) of the United States of America and Canada..

31. Water heaters moved from the original installation location.

32. Water heaters that have had their rating labels removed.

ONLINE EXTENDED LIMITED WARRANTY REGISTRATION

To register for the Extended Limited Warranty, complete the form located on the HTP website at <http://www.htproducts.com/warranty> within six (6) months of installation. The form must be completed in full with owner name, email address, and phone number, the address where the unit is installed and installation date, and unit model and serial numbers. Proof of purchase is required, and may be an invoice for the product, or a bill from an installing contractor that clearly documents the installation of the unit. To be valid, proof of purchase must also include the unit serial number. Proof of purchase may be typed or hand written. Submit the proof of purchase to HTP via the directions provided on the website.

PROCEDURES FOR WARRANTY SERVICE REQUESTS

Any claim for warranty assistance must be made immediately upon finding the issue. First, please consult the HTP Warranty Wizard (<http://www.htproducts.com/Warranty-Wizard.html>) to check warranty eligibility. You may also contact HTP Technical Support at 1-800-323-9651 for questions or assistance. Warranty coverage requires review and approval of the issue with HTP Technical Support or through the Warranty Wizard prior to a full unit replacement. Any claim for warranty reimbursement will be rejected if prior approval from HTP is not obtained in advance of a full unit replacement. Final determination will be made as part of the warranty claim process.

When submitting a warranty claim the following items are required:

1. **Proof of purchase or installation of the product** – Typically a copy of the invoice from the installing contractor, the receipt of the purchase of the product, or an original certificate of occupancy for a new home.
2. **Clear pictures (or video) of the following:**
 - a. Serial number tag (sticker)
 - b. The product
 - c. The product issue / failure whenever possible
 - d. A picture of the piping near the product
 - e. For gas fired products, a picture of the venting, including how it exits the building

All claims will be reviewed by HTP within three (3) business days. If additional information is required and requested by the HTP Claims Department you will have thirty (30) days to provide it. When all requested information is provided HTP will respond within three (3) business days. The claim will be automatically closed if requested information is not provided within thirty (30) days. Claims will not be reopened without HTP Warranty Supervisor approval.

During the claims process a product that must be replaced will be given a designation of either a) field scrap, or b) return to HTP. If the product must be returned to HTP, the returned product must arrive at HTP within thirty (30) days of the date of our request to return the product. After receipt of the returned

product HTP may require as many as thirty (30) additional days for product testing. **NOTE: Any components or heaters returned to HTP for warranty analysis will become the property of HTP and will not be returned, even if credit is denied.**

If you have questions about the coverage of this warranty, please contact HTP at the following address or phone number: HTP, 272 Duchaine Blvd., New Bedford, MA, 02745, Attention: Warranty Service Department, 1(800) 323-9651.

SERVICE, LABOR AND SHIPPING COSTS

Except when specifically prohibited by the applicable state law, the Owner, and not the Manufacturer, shall be liable for and shall pay for all charges for labor or other expenses incurred in the removal, repair, or replacement of the appliance or any component part(s) claimed to be defective or any expense incurred to remedy any defect in the product. Such charges include, but are not necessarily limited to:

1. All freight, shipping, handling, and delivery costs of forwarding a new appliance or replacement part(s) to the owner.
2. All costs necessary or incidental in removing the defective appliance or component part(s) and installing a new appliance or replacement part(s).
3. All administrative fees incurred by the Owner, as well as material required to complete, and/or permits required for, installation of a new appliance or replacement part(s), and
4. All costs necessary or incidental in returning the defective water heater or component part(s) to a location designated by the manufacturer.

LIMITATIONS OF YOUR HTP WARRANTY AND REMEDIES

THE FOREGOING WARRANTIES ARE EXCLUSIVE AND ARE GIVEN AND ACCEPTED TO THE FURTHEST EXTENT UNDER APPLICABLE LAW IN LIEU OF ANY AND ALL OTHER WARRANTIES, EXPRESS OR IMPLIED, INCLUDING WITHOUT LIMITATION THE IMPLIED WARRANTIES OF MERCHANTABILITY AND FITNESS FOR A PARTICULAR PURPOSE AND ANY OBLIGATION, LIABILITY, RIGHT, CLAIM OR REMEDY IN CONTRACT OR TORT, WHETHER OR NOT ARISING FROM HTP'S NEGLIGENCE, ACTUAL OR IMPUTED. THE REMEDIES OF THE OWNER SHALL BE LIMITED TO THOSE PROVIDED HEREIN TO THE EXCLUSION OF ANY OTHER REMEDIES INCLUDING WITHOUT LIMITATION, INCIDENTAL OR CONSEQUENTIAL DAMAGES, SAID INCIDENTAL AND CONSEQUENTIAL DAMAGES INCLUDING, BUT NOT LIMITED TO, PROPERTY DAMAGE, LOST PROFIT OR DAMAGES ALLEGED TO HAVE BEEN CAUSED BY ANY FAILURE OF HTP TO MEET ANY OBLIGATION UNDER THIS AGREEMENT INCLUDING THE OBLIGATION TO REPAIR AND REPLACE SET FORTH ABOVE. NO AGREEMENT VARYING OR EXTENDING THE FOREGOING WARRANTIES, REMEDIES OR THIS LIMITATION WILL BE BINDING UPON HTP. UNLESS IN WRITING AND SIGNED BY A DULY AUTHORIZED OFFICER OF HTP. THE WARRANTIES STATED HEREIN ARE NOT TRANSFERABLE AND SHALL BE FOR THE BENEFIT OF THE OWNER ONLY.

NO OTHER WARRANTIES

This warranty gives the Owner specific legal rights. The Owner may also have other rights that vary from state to state. Some states do not allow the exclusion or limitation of incidental or consequential damages so this limitation or exclusion may not apply to the Owner.

These are the only written warranties applicable to the water heater manufactured and sold by HTP. HTP neither assumes nor authorizes anyone to assume for it any other obligation or liability in connection with said water heaters.

HTP reserves the right to change specifications or discontinue models without notice.

Customer Installation Record Form	
The following form should be completed by the qualified installer / service technician for you to keep as a record of the installation in case of a warranty claim. After reading the important notes at the bottom of the page, please also sign this document.	
Customer's Name	
Date of Installation	
Installation Address	
Product Name / Serial Number(s)	
Comments	
Installer's Code / Name	
Installers Phone Number	
Signed by Installer	
Signed by Customer	

IMPORTANT

Customer: Please only sign after the qualified installer / service technician has fully reviewed the installation, safety, proper operation, and maintenance of the system. If the system has any problems please call the qualified installer / service technician. If you are unable to make contact, please call your sales representative.

Distributor / Dealer: Please insert contact details.