

Specification Submittal Data

Panasonic Radiation Damper for Non-Combustible Assemblies

Description:

Radiation damper shall be assembled with select ENERGY STAR® rated ventilation fans, fan/lights and fans with motion/condensation sensors. Damper shall be UL and cUL listed for T-bar, hanger rod/wire ceiling installation and exceed UL 555C for use in 1-, 2- or 3-hour fire rated floor/ceiling or roof/ceiling assemblies. Damper shall exceed National Fire Protection Agency NFPA-90A.

Features:

- UL 555C listed for use in a 1, 2 or 3 hour fire rated floor/ceiling and roof/ceiling designs.*
- 165 degree Fahrenheit fusible link.
- High-temperature, non-asbestos, reinforced fiber thermal fabric.
- Galvanized steel frame.
- Damper sleeve allows for fan/motor access for ongoing maintenance or framing/drywall/paint installation staging.

* UL and Warnock Hersey 555C classification for 1, 2 or 3 hour Non-Combustible Assemblies.

UL listed assembly with Panasonic ENERGY STAR® models:

WhisperGreen® Select
VENTILATION FAN

- FV-0511VK2, FV-0511VKL2, FV-0511VKS2, FV-0511VKSL2, FV-1115VK2, FV-1115VKL2, FV-0511VK3, FV-0511VKL3, FV-0511VKS3, FV-0511VKS3S, FV-0511VKSL3, FV-1115VK3, FV-1115VKL3, FV-0511VKSL3K

WhisperCeiling® DC
VENTILATION FAN

- FV-0511VQ1, FV-1115VQ1, FV-0511VQL1, FV-1115VQL1

WhisperSense® DC
VENTILATION FAN

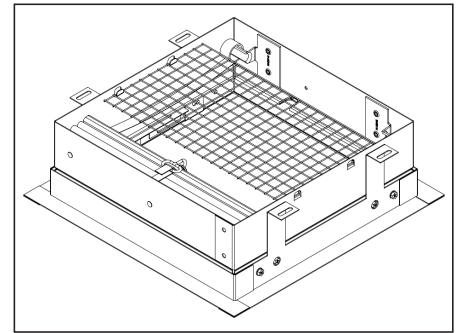
- FV-0511VQC1, FV-0511VQCL1

WhisperFit® DC
VENTILATION FAN

- FV-0511VF1, FV-0511VFC1, FV-0511VFL1

WhisperValue® DC
VENTILATION FAN

- FV-0510VS1, FV-0810VSS1, FV-0510VSC1, FV-0510VSL1, FV-0810VSSL1, FV-0510VSCL, FV-0510VSAB1 (FV-0510VSA1 + FV0510VSB1), FV-0510VSCAB1 (FV-0510VSA1 + FV0510VSCB1), FV-0810VSSAB1 (FV-0510VSA1 + FV0810VSSB1)



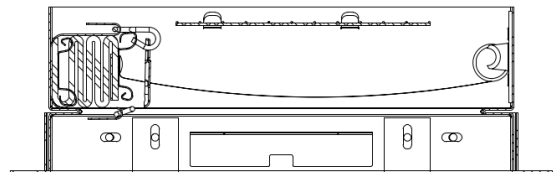
PC-RD06C6



File #: 3225-1598:100



File #: WHI-495-PSH-0177, -0178



For complete Installation Instructions visit iaq.na.panasonic.com

Model	Quantity	Comments	Project:
			Location:
			Architect:
			Engineer:
			Contractor:
			Submitted by:
			Date:

Panasonic
IAQ Division
Two Riverfront Plaza
Newark, NJ 07102
iaq.na.panasonic.com

Specification Submittal Data

Panasonic Radiation Damper for Combustible Assemblies

Description:

Radiation damper shall be assembled with select ENERGY STAR® rated ventilation fans, fan/lights and fans with motion/condensation sensors. Damper shall be ETL listed (UL 555C) for use in 1 hour fire-rated floor/ceiling or roof/ceiling assemblies as listed below. Damper shall exceed National Fire Protection Agency NFPA-90A.

Features:

- ETL listed for use in a 1 hour fire-rated wood truss floor/ceiling and roof/ceiling designs*
- 165 degree Fahrenheit fusible link.
- High-temperature, non-asbestos, reinforced fiber thermal fabric.
- Galvanized steel frame.
- Damper sleeve allows for fan/motor access for ongoing maintenance or framing/drywall/paint installation staging.
- Drywall support installation after drywall to make fan/damper assembly meet UL Combustible Assemblies.

* ETL listed for use in the following 1 hour UL Wood Truss Assembly Ratings: L521, L528, L546, L558, L562, L574, L576, L581, L583, L585, M509; P522, P-533, P-538, P-545 and P-547.

UL listed assembly with Panasonic ENERGY STAR® models:

WhisperGreen® Select
VENTILATION FAN

FV-0511VK2, FV-0511VKL2, FV-0511VKS2, FV-0511VKS2L, FV-1115VK2, FV-1115VKL2, FV-0511VK3, FV-0511VKL3, FV-0511VKS3, FV-0511VKS3S, FV-0511VKSL3, FV-1115VK3, FV-1115VKL3, FV-0511VKSL3K

WhisperCeiling® DC
VENTILATION FAN

FV-0511VQ1, FV-1115VQ1, FV-0511VQL1, FV-1115VQL1

WhisperSense® DC
VENTILATION FAN

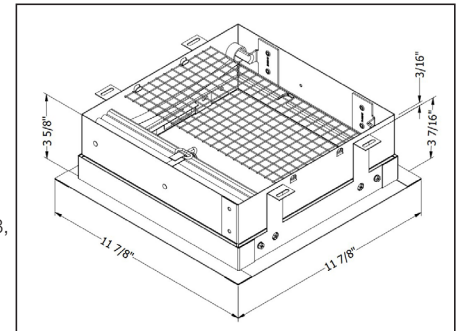
FV-0511VQC1, FV-0511VQCL1

WhisperFit® DC
VENTILATION FAN

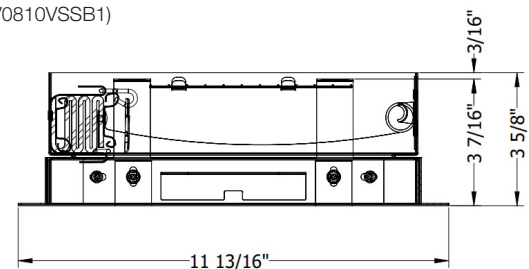
FV-0511VF1, FV-0511VFC1, FV-0511VFL1

WhisperValue® DC
VENTILATION FAN

FV-0510VS1, FV-0810VSS1, FV-0510VSC1, FV-0510VSL1, FV-0810VSSL1, FV-0510VSC1L1, FV-0510VSAB1 (FV-0510VSA1 + FV0510VSB1) FV-0510VSCAB1 (FV-0510VSA1 + FV0510VSCB1) FV-0810VSSAB1 (FV-0510VSA1 + FV0810VSSB1)



PC-RD06C6



File #: 3225-1598:100



File #: WHI-495-PSH-0177, -0178

For complete Installation Instructions visit iaq.na.panasonic.com

Model	Quantity	Comments	Project:
			Location:
			Architect:
			Engineer:
			Contractor:
			Submitted by:
			Date:

Panasonic
IAQ Division
Two Riverfront Plaza
Newark, NJ 07102
iaq.na.panasonic.com