



Tridicator gauges for use on:

- Hydronic systems

Dial: Aluminum, painted white

Accuracy: Pressure - $\pm 3-2-3\%$, Temperature - $\pm 3\%$ of full scale

Scale: Fahrenheit

Lens: Glass

Case: Steel, painted black

Ring: Steel, chrome plated

Stem & Socket: Brass

Tube: Phosphor bronze

Movement: Brass & phosphor bronze

Sensing Element: Temperature - Bi-metallic coil, Pressure - Bourdon tube

Pointer: Aluminum, anodized black

Pressure Limit: 75% of full scale range

Ambient Temperature: 23°F to 122°F (-5°C to 50°C)

Process Temperature: 75% full scale range

WARNING: Cancer and Reproductive Harm - www.P65Warnings.ca.gov

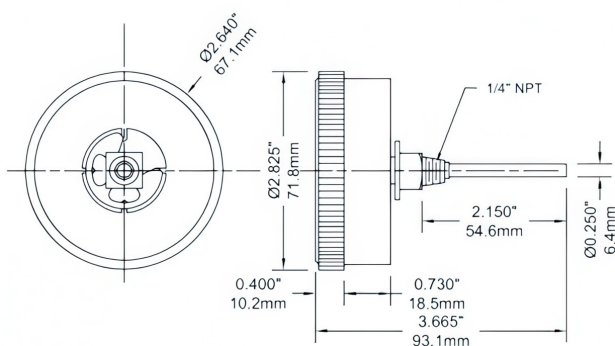
Country of Origin: Made in Singapore

Specifications

WEBB#	MFR #	DESCRIPTION	DIAL	RANGE	CONNECTION	STEM LENGTH
55787	PROGA-TDG	Hydronic Temperature & Pressure Gauge	2.5" (63mm)	0-75PSI 80-320F	1/4" Male NPT	2.15" (54.6mm)
266632	PROGA-TDGEX	Hydronic Temperature & Pressure Gauge	2.5" (63mm)	0-75PSI 80-320F	1/4" Male NPT	Extended 2.15" (54.6mm)

PROGA-TDG

2.5" Back Connection



PROGA-TDGEX

2.5" Extension Back Connection

