

Copper and Lead-Free Brass Press Fittings – 1/2" – 4"



SUBMITTAL PACKAGE

Job Name:	
Job Location:	
Engineer:	
Contractor:	
Tag:	
PO Number:	
Representative:	
Wholesale Distributor:	



CUSTOMER SERVICE:

ph: 888-936-0880

email: purepro@fwwebb.com

fwwebb.com/purepro

The PurePro® Press system for copper tubing is designed to meet the main requirements of the plumber and make their daily work easier, safe and in compliance with the regulations required. All fittings are manufactured in Italy.

PurePro Press Fittings up to 4" are equipped with a leak detection system, that allows unpressed fittings to be detected; the device works both when testing with water (15 to 85 psi) and using air (1/2 to 45 psi); using an elastomeric gasket whose shape allows liquid to leak out if the fitting has not been pressed completely and properly. Any unintentional unpressurized joints can be quickly and reliably identified, and by pressurizing the system after installation, time-consuming repairs can be avoided.

Operating Parameters:

PurePro Press Fittings may only be pressed onto copper tube in accordance with ASTM B88, types K, L and M may be used; soft / annealed copper are limited to nominal sizes from 1/2" to 1 1/4", hard copper may be used with nominal sizes from 1/2" to 4".

Advantages of the PurePro Press Fittings:

- Easy and quick installation, no time-consuming operation required (brazing, soldering or grooving)
- Safe installation, no flames or heavy tools required
- High hydraulic and mechanical seal-pressure rating suitable for all major requirements
- Nobel and bacteriostatic material, high-quality and durability

Approvals and Certifications:

The fittings have the following listings and certifications:

- BAA – Buy American Act Compliant
 - ASME B16.51 Compliance
- IAPMO PS-117: press and nail connections.
- NSF/ANSI/CAN 61: drinking water system components-health effects.
- NSF/ANSI/CAN 372: drinking water system components-lead content.
- ICC-ES LC1002 – press-connection fittings for potable water tube and radiant heating systems.
 - International Plumbing Code® (IPC)
 - International Mechanical Code® (IMC)
 - International Residential Code® (IRC)
 - Uniform Plumbing Code® (UPC)
 - Uniform Mechanical Code® (UMC)
 - California Plumbing Code (CPC)
 - California Mechanical Code (CMC)
 - City of Los Angeles Plumbing Code
 - City of Los Angeles Mechanical Code
 - Code of Massachusetts Regulation 248 CMR 10.00: Uniform State Plumbing Code
 - Massachusetts State Building Code 780 CMR Ninth Edition: Chapter 28
 - National Plumbing Code of Canada® (NPC)

Approved Tool Manufacturers:

- Milwaukee M12 "Compact Jaws": fittings up to 1 1/4"
- Milwaukee M18 "Standard Jaws": fittings up to 4"
- Ridgid "Compact Jaws": fittings up to 1 1/4"
- Ridgid "Standard Jaws": fittings up to 4"
- DeWalt "Standard Jaws": fittings up to 2"

Warranty: 50 Year Limited, Industrial applications 2 Year Limited

Approved Applications:

This symbol is placed over the package:



PurePro Press Fittings Main Applications - EPDM Seats			
Application	Comments	Mas. Pressure (PSI)	Operating Temperature (°F)
Drinking Water	–	300	32° - 250°
Heating / Cooling	Up to 50% Ethylene or Propylene Glycol as Additive	300	0° - 250°
Rain Water / Grey Water	–	300	32° - 250°
Non-Potable and Treated Water	–	300	32° - 250°
Low-Pressure Steam	–	Up to 15 PSI	Max. 248°
Ethanol	–	200	Up to 140°
Compressed Air	Oil Residual < 5 Mg/m ³	200	Up to 140°
Oxygen - O ₂	Not for Medical Use	140	Up to 140°
Nitrogen - N ₂	–	200	Up to 140°
Argon	Welding Use	200	Up to 140°
Hydrogen - H ₂	–	125	Up to 140°
Vacuum	Rough Vacuum	29.2" Hg	Up to 140°
Carbon Dioxide - CO ₂	Dry	200	Up to 140°

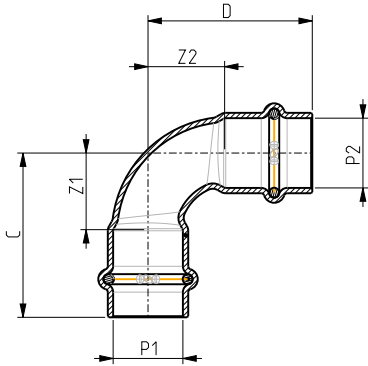
Insertion Depth Chart									
Tube Size	1/2"	3/4"	1"	1 1/4"	1 1/2"	2"	2 1/2"	3"	4"
Insertion Depth:	0.71"	0.91"	0.91"	1.02"	1.42"	1.57"	1.75"	1.97"	2.40"

Materials

High purity Copper Cu-DHP and lead-free DZR brass press fittings with high performance EPDM seals, suitable for drinking water applications and many other applications, ranging from 1/2" to 4".

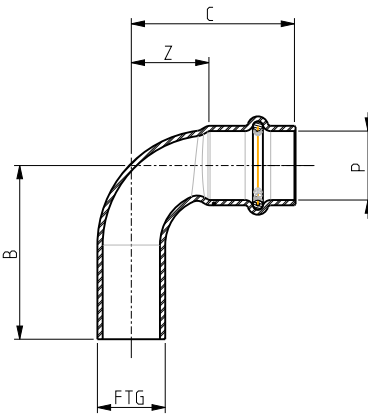
These materials ensure a solution that complies with the main market standards and is universally recognized for many applications:

- **Lead Free DZR brass** (C27453), used for threaded ends through 2", is compliant with the requirements of the US market with limits placed on lead for materials in contact with potable water. The pliability and the high copper content make the C27453 alloy an excellent material for press fittings, with truly modest dezincification values.
- **Press fittings are equipped with a high-quality black EPDM sealing element** installed at the factory. EPDM (Ethylene Propylene Diene Monomer) is a synthetically manufactured material. The high performance and excellent behavior of this material against aging allow its safe and durable use in most commercial and industrial applications. Considering the traditional use with water, the EPDM gasket can be used in a temperature range between -0 and +250°F; for any additional questions or limit conditions contact F.W. Webb Company.



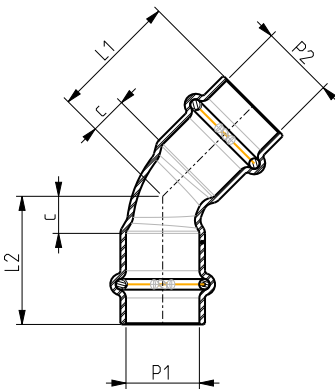
Copper 90° Elbow P x P

Ref. #	Mfr. #	Webb #	Size P1 x P2	Description	UM	Z1	C	Z2	D
PRO1290	PRO5V127704	943245	1/2" X 1/2"	ELL 90DEG 1/2" COP PRS	in.	0.63	1.38	0.63	1.38
PRO3490	PRO5V127705	943251	3/4" X 3/4"	ELL 90DEG 3/4" COP PRS	in.	0.76	1.66	0.76	1.66
PRO190	PRO5V127706	943252	1" X 1"	ELL 90DEG 1" COP PRS	in.	0.99	1.9	0.99	1.9
PRO11490	PRO5V127707	943254	1-1/4" X 1-1/4"	ELL 90DEG 1-1/4" COP PRS	in.	1.28	2.3	1.28	2.3
PRO11290	PRO5V127708	943258	1-1/2" X 1-1/2"	ELL 90DEG 1-1/2" COP PRS	in.	1.43	2.85	1.43	2.85
PRO290	PRO5V127710	943264	2" X 2"	ELL 90DEG 2" COP PRS	in.	2.01	3.58	2.01	3.58



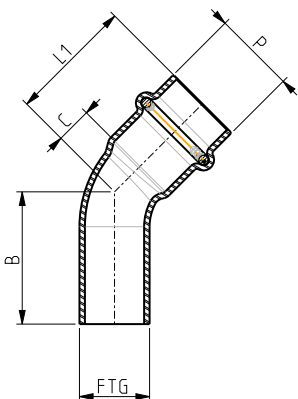
Copper 90° Street Elbow P x FTG

Ref. #	Mfr. #	Webb #	Size P x FTG	Description	UM	B	Z	C	D
PRO12590	PRO5V137704	943301	1/2" X 1/2"	ELL 90DEG ST 1/2" COP PRS	in.	0.63	1.38	0.63	1.38
PRO34590	PRO5V137705	943302	3/4" X 3/4"	ELL 90DEG ST 3/4" COP PRS	in.	0.76	1.66	0.76	1.66
PRO1590	PRO5V137706	943306	1" X 1"	ELL 90DEG ST 1" COP PRS	in.	0.99	1.9	0.99	1.9
PRO114590	PRO5V137707	943308	1-1/4" X 1-1/4"	ELL 90DEG ST 1-1/4" COP PRS	in.	1.28	2.3	1.28	2.3
PRO112590	PRO5V137708	943312	1-1/2" X 1-1/2"	ELL 90DEG ST 1-1/2" COP PRS	in.	1.43	2.85	1.43	2.85
PRO2590	PRO5V137710	943215	2" X 2"	ELL 90DEG ST 2" COP PRS	in.	2.01	3.58	2.01	3.58



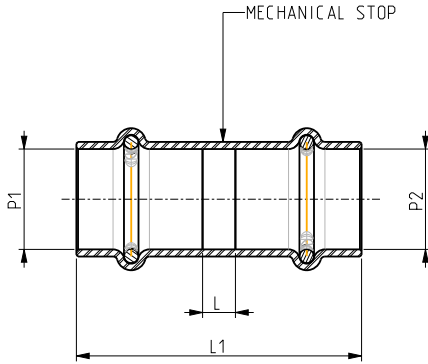
Copper 45° Elbow P x P

Ref. #	Mfr. #	Webb #	Size P1 x P2	Description	UM	C	L1	L2
PRO1245	PRO5V147704	943262	1/2" X 1/2"	ELL 45DEG 1/2" COP PRS	in.	0.31	1.06	1.06
PRO3445	PRO5V147705	943271	3/4" X 3/4"	ELL 45DEG 3/4" COP PRS	in.	0.36	1.26	1.26
PRO145	PRO5V147706	943272	1" X 1"	ELL 45DEG 1" COP PRS	in.	0.46	1.36	1.36
PRO11445	PRO5V147707	943279	1-1/4" X 1-1/4"	ELL 45DEG 1-1/4" COP PRS	in.	0.57	1.59	1.59
PRO11245	PRO5V147708	943282	1-1/2" X 1-1/2"	ELL 45DEG 1-1/2" COP PRS	in.	0.67	2.09	2.09
PRO245	PRO5V147710	943286	2" X 2"	ELL 45DEG 2" COP PRS	in.	0.88	2.46	2.46



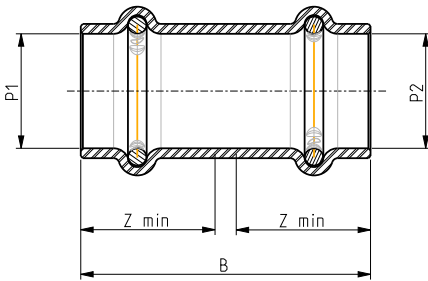
Copper 45° Street Elbow P x FTG

Ref. #	Mfr. #	Webb #	Size P x FTG	Description	UM	B	C	L1
PRO12545	PRO5V157704	943210	1/2" X 1/2"	ELL 45DEG ST 1/2" COP PRSxFTG	in.	1.1	0.31	1.06
PRO34545	PRO5V157705	943216	3/4" X 3/4"	ELL 45DEG ST 3/4" COP PRSxFTG	in.	1.38	0.36	1.26
PRO1545	PRO5V157706	943220	1" X 1"	ELL 45DEG ST 1" COP PRSxFTG	in.	1.48	0.46	1.36
PRO114545	PRO5V157707	943225	1-1/4" X 1-1/4"	ELL 45DEG ST 1-1/4" COP PRSxFTG	in.	1.67	0.57	1.59
PRO112545	PRO5V157708	943231	1-1/2" X 1-1/2"	ELL 45DEG ST 1-1/2" COP PRSxFTG	in.	2.17	0.67	2.09
PRO2545	PRO5V157710	943237	2" X 2"	ELL 45DEG ST 2" COP PRSxFTG	in.	2.54	0.88	2.46



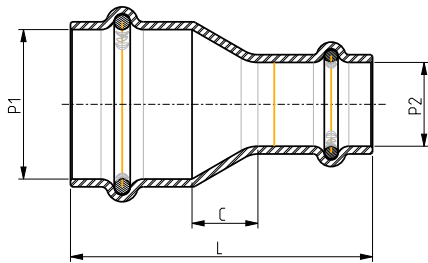
Copper Coupling with Stop P x P

Ref. #	Mfr. #	Webb #	Size P1 x P2	Description	UM	L	L1
PR012CO	PRO5V027704	943265	1/2" X 1/2"	CPLG W/STP 1/2" X 1/2" COP PRS	in.	0.12	1.61
PR034CO	PRO5V027705	943273	3/4" X 3/4"	CPLG W/STP 3/4" X 3/4" COP PRS	in.	0.16	1.97
PR01CO	PRO5V027706	943278	1" X 1"	CPLG W/STP 1" X 1" COP PRS	in.	0.16	1.97
PR0114CO	PRO5V027707	943281	1-1/4" X 1-1/4"	CPLG W/STP 1-1/4" X 1-1/4" COP PRS	in.	0.16	2.2
PR0112CO	PRO5V027708	943285	1-1/2" X 1-1/2"	CPLG W/STP 1-1/2" X 1-1/2" COP PRS	in.	0.16	2.99
PR02CO	PRO5V027710	943288	2" X 2"	CPLG W/STP 2" X 2" COP PRS	in.	0.16	3.31



Copper Slip Coupling P x P

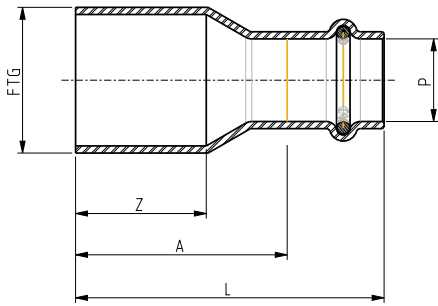
Ref. #	Mfr. #	Webb #	Size P1 x P2	Description	UM	B	Z
PR012SLCO	PRO5V057704	943238	1/2" X 1/2"	SLP CPLG 1/2" COP PRS	in.	1.61	0.75
PR034SLCO	PRO5V057705	943239	3/4" X 3/4"	SLP CPLG 3/4" COP PRS	in.	1.97	0.91
PR01SLCO	PRO5V057706	943242	1" X 1"	SLP CPLG 1" COP PRS	in.	1.97	0.91
PR0114SLCO	PRO5V057707	943249	1-1/4" X 1-1/4"	SLP CPLG 1-1/4" COP PRS	in.	2.2	1.02
PR0112SLCO	PRO5V057708	943253	1-1/2" X 1-1/2"	SLP CPLG 1-1/2" COP PRS	in.	2.99	1.42
PR02SLCO	PRO5V057710	943259	2" X 2"	SLP CPLG 2" COP PRS	in.	3.31	1.57



Copper Reducer Coupling P x P

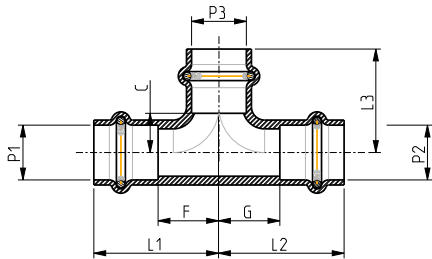
Ref. #	Mfr. #	Webb #	Size P1 x P2	Description	UM	C	L
PR034X12CO	PRO5V49770504	943234	3/4" X 1/2"	RED CPLG 3/4x1/2" COP PRS	in.	0.43	2.09
PR01X12CO	PRO5V49770604	943260	1" X 1/2"	RED CPLG 1x1/2" COP PRS	in.	0.71	2.36
PR01X34CO	PRO5V49770605	943266	1" X 3/4"	RED CPLG 1x3/4" COP PRS	in.	0.47	2.28
PR0114X34CO	PRO5V49770705	943290	1-1/4" X 3/4"	RED CPLG 1-1/4x3/4" COP PRS	in.	0.71	2.64
PR0114X1CO	PRO5V49770706	943292	1-1/4" X 1"	RED CPLG 1-1/4x1" COP PRS	in.	0.55	2.48
PR0112X34CO	PRO5V49770805	943307	1-1/2" X 3/4"	RED CPLG 1-1/2x3/4" COP PRS	in.	0.87	3.19
PR0112X1CO	PRO5V49770806	943309	1-1/2" X 1"	RED CPLG 1-1/2x1" COP PRS	in.	0.67	2.99
PR0112X114CO	PRO5V49770807	943313	1-1/2" X 1-1/4"	RED CPLG 1-1/2x1-1/4" COP PRS	in.	0.43	2.87
PR02X34CO	PRO5V49771005	943255	2" X 3/4"	RED CPLG 2x3/4" COP PRS	in.	1.3	3.78
PR02X1CO	PRO5V49771006	943256	2" X 1"	RED CPLG 2x1" COP PRS	in.	1.06	3.54
PR02X114CO	PRO5V49771007	943261	2" X 1-1/4"	RED CPLG 2x1-1/4" COP PRS	in.	0.83	3.43
PR02X112CO	PRO5V49771008	943268	2" X 1-1/2"	RED CPLG 2x1-1/2" COP PRS	in.	0.75	3.74

Copper Fitting Reducer FTG x P

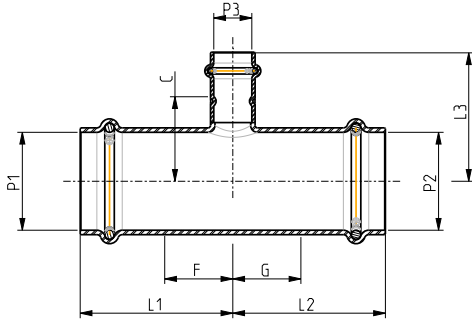


Ref. #	Mfr. #	Webb #	Size FTG x P	Description	UM	Z	A	L
PRO34X12FR	PRO5V04770504	943250	3/4" X 1/2"	RED FTG 3/4x1/2" COP FTGxPRS	in.	1.02	1.42	2.17
PRO1X12FR	PRO5V04770604	943276	1" X 1/2"	RED FTG 1x1/2" COP FTGxPRS	in.	1.02	1.69	2.44
PRO1X34FR	PRO5V04770605	943280	1" X 3/4"	RED FTG 1x3/4" COP FTGxPRS	in.	1.02	1.42	2.32
PRO114X12FR	PRO5V04770704	943295	1-1/4" X 1/2"	RED FTG 1-1/4x1/2" COP FTGxPRS	in.	1.1	1.81	2.56
PRO114X34FR	PRO5V04770705	943298	1-1/4" X 3/4"	RED FTG 1-1/4x3/4" COP FTGxPRS	in.	1.1	1.85	2.76
PRO114X1FR	PRO5V04770706	943299	1-1/4" X 1"	RED FTG 1-1/4x1" COP FTGxPRS	in.	1.1	1.57	2.48
PRO112X34FR	PRO5V04770805	943211	1-1/2" X 3/4"	RED FTG 1-1/2x3/4" COP FTGxPRS	in.	1.5	2.24	3.15
PRO112X1FR	PRO5V04770806	943217	1-1/2" X 1"	RED FTG 1-1/2x1" COP FTGxPRS	in.	1.5	2.28	3.19
PRO112X114FR	PRO5V04770807	943221	1-1/2" X 1-1/4"	RED FTG 1-1/2x1-1/4" COP FTGxPRS	in.	1.5	1.85	2.87
PRO2X1FR	PRO5V04771006	943274	2" X 1"	RED FTG 2x1" COP FTGxPRS	in.	1.65	2.6	3.5
PRO2X114FR	PRO5V04771007	943277	2" X 1-1/4"	RED FTG 2x1-1/4" COP FTGxPRS	in.	1.65	2.4	3.43
PRO2X112FR	PRO5V04771008	943283	2" X 1-1/2"	RED FTG 2x1-1/2" COP FTGxPRS	in.	1.65	2.6	4.02

Copper Tee P x P x P

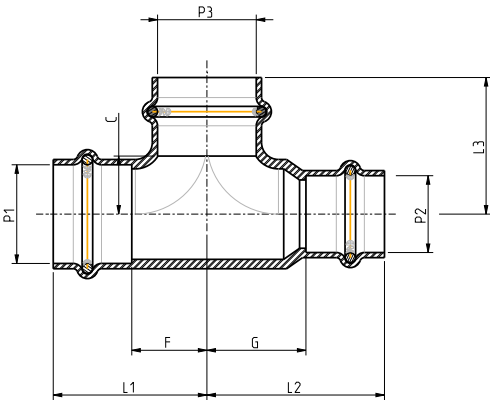


Ref. #	Mfr. #	Webb #	Size P1 x P2 x P3	Description	UM	L1	F	L2	G	L3	C
PRO12T	PRO5V327704	943303	1/2" X 1/2" X 1/2"	TEE 1/2x1/2x1/2" COP PRS	in.	1.46	0.71	1.46	0.71	1.2	0.46
PRO34T	PRO5V327705	943305	3/4" X 3/4" X 3/4"	TEE 3/4x3/4x3/4" COP PRS	in.	1.69	0.79	1.69	0.79	1.46	0.55
PRO1T	PRO5V327706	943310	1" X 1" X 1"	TEE 1x1x1" COP PRS	in.	1.77	0.87	1.77	0.87	1.57	0.67
PRO114T	PRO5V327707	943311	1-1/4" X 1-1/4" X 1-1/4"	TEE 1-1/4x1-1/4x1-1/4" COP PRS	in.	2.01	0.98	2.01	0.98	1.85	0.83
PRO112T	PRO5V327708	943212	1-1/2" X 1-1/2" X 1-1/2"	TEE 1-1/2x1-1/2x1-1/2" COP PRS	in.	2.56	1.14	2.56	1.14	2.56	1.14
PRO2T	PRO5V327710	943219	2" X 2" X 2"	TEE 2x2x2" COP PRS	in.	2.83	1.26	2.83	1.26	2.83	1.26



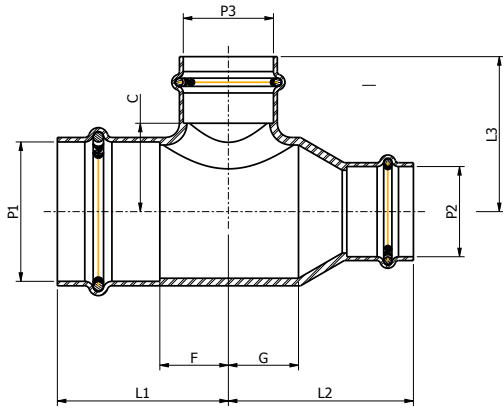
Copper Reducer Tee P x P x P

Ref. #	Mfr. #	Webb #	Size P1 x P2 x P3	Description	UM	L1	F	L2	G	L3	C
PRO34X12T	PRO5V3377050504	943287	3/4" X 3/4" X 1/2"	RED TEE 3/4x3/4x1/2" COP PRS	in.	1.42	0.51	1.42	0.51	1.38	0.63
PRO1X12T	PRO5V3377060604	943263	1" X 1" X 1/2"	RED TEE 1x1x1/2" COP PRS	in.	1.46	0.55	1.46	0.55	1.5	0.75
PRO1X34T	PRO5V3377060605	943270	1" X 1" X 3/4"	RED TEE 1x1x3/4" COP PRS	in.	1.63	0.73	1.63	0.73	1.57	0.67
PRO114X12T	PRO5V3377070704	943241	1-1/4" X 1-1/4" X 1/2"	RED TEE 1-1/4x1-1/4x1/2" COP PRS	in.	1.65	0.63	1.65	0.63	1.61	0.87
PRO114X34T	PRO5V3377070705	943243	1-1/4" X 1-1/4" X 3/4"	RED TEE 1-1/4x1-1/4x3/4" COP PRS	in.	1.65	0.63	1.65	0.63	1.73	0.83
PRO114X1T	PRO5V3377070706	943248	1-1/4" X 1-1/4" X 1"	RED TEE 1-1/4x1-1/4x1" COP PRS	in.	1.85	0.81	1.85	0.81	1.73	0.83
PRO112X12T	PRO5V3377080804	943214	1-1/2" X 1-1/2" X 1/2"	RED TEE 1-1/2x1-1/2x1/2" COP PRS	in.	2.56	1.14	2.56	1.14	2.17	1.42
PRO112X34T	PRO5V3377080805	943222	1-1/2" X 1-1/2" X 3/4"	RED TEE 1-1/2x1-1/2x3/4" COP PRS	in.	2.56	1.14	2.56	1.14	2.28	1.38
PRO112X114T	PRO5V3377080807	943229	1-1/2" X 1-1/2" X 1-1/4"	RED TEE 1-1/2x1-1/2x1-1/4" COP PRS	in.	2.56	1.14	2.56	1.14	2.4	1.38
PRO2X12T	PRO5V3377101004	943289	2" X 2" X 1/2"	RED TEE 2x2x1/2" COP PRS	in.	2.83	1.26	2.83	1.26	2.4	1.65
PRO2X34T	PRO5V3377101005	943291	2" X 2" X 3/4"	RED TEE 2x2x3/4" COP PRS	in.	2.83	1.26	2.83	1.26	2.52	1.61
PRO2X1T	PRO5V3377101006	943294	2" X 2" X 1"	RED TEE 2x2x1" COP PRS	in.	2.83	1.26	2.83	1.26	2.52	1.61
PRO2X114T	PRO5V3377101007	943296	2" X 2" X 1-1/4"	RED TEE 2x2x1-1/4" COP PRS	in.	2.83	1.26	2.83	1.26	2.64	1.61
PRO2X112T	PRO5V3377101008	943297	2" X 2" X 1-1/2"	RED TEE 2x2x1-1/2" COP PRS	in.	2.83	1.26	2.83	1.26	3.03	1.61



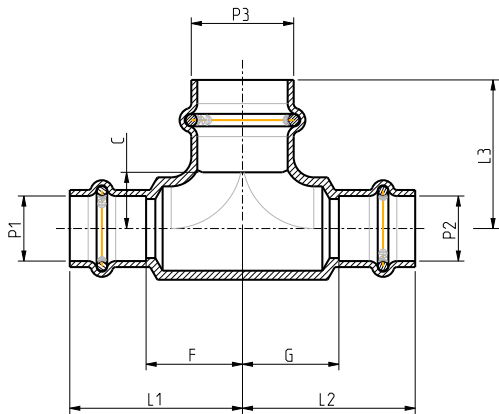
Copper Reducer Tee P x P x P

Ref. #	Mfr. #	Webb #	Size P1 x P2 x P3	Description	UM	L1	F	L2	G	L3	C
PRO34X12X34T	PRO5V3477050405	943304	3/4" X 1/2" X 3/4"	RED TEE 3/4x1/2x3/4" COP PRS	in.	1.69	0.79	1.69	0.94	1.46	0.55
PRO1X12X1T	PRO5V3477060406	943275	1" X 1/2" X 1"	RED TEE 1x1/2x1" COP PRS	in.	1.77	0.87	2.05	1.3	1.57	0.67
PRO1X34X1T	PRO5V3477060506	943293	1" X 3/4" X 1"	RED TEE 1x3/4x1" COP PRS	in.	1.77	0.87	2.05	1.14	1.57	0.67
PRO112X1X112T	PRO5V3477080608	943232	1-1/2" X 1" X 1-1/2"	RED TEE 1-1/2x1x1-1/2" COP PRS	in.	2.56	1.14	2.6	1.69	2.56	1.14



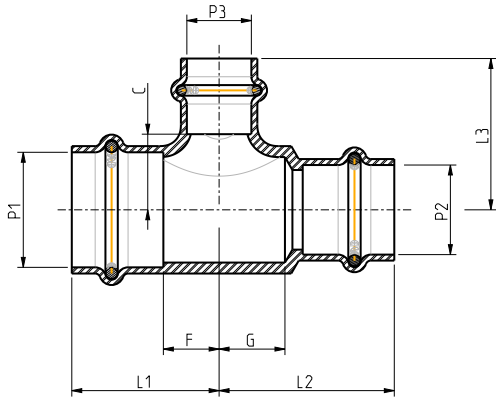
Copper Reducer Tee P x P x P

Ref. #	Mfr. #	Webb #	Size P1 x P2 x P3	Description	UM	L1	F	L2	G	L3	C
PR034X12X12T	PRO5V3577050404	943246	3/4" X 1/2" X 1/2"	RED TEE 3/4x1/2x1/2" COP PRS	in.	1.42	0.51	1.42	0.67	1.38	0.63
PR01X34X34T	PRO5V3577060505	943230	1" X 3/4" X 3/4"	RED TEE 1x3/4x3/4" COP PRS	in.	1.65	0.75	1.73	0.83	1.61	0.71
PR0114X1X1T	PRO5V3577070606	943314	1-1/4" X 1" X 1"	RED TEE 1-1/4x1x1" COP PRS	in.	1.85	0.83	2.01	1.14	1.69	0.79
PR0112X1X1T	PRO5V3577080606	943284	1-1/2" X 1" X 1"	RED TEE 1-1/2x1x1" COP PRS	in.	2.28	0.87	2.32	1.42	2.01	1.1
PR0112X114X114T	PRO5V3577080707	943300	1-1/2" X 1-1/4" X 1-1/4"	RED TEE 1-1/2x1-1/4x1-1/4" COP PRS	in.	2.44	1.02	2.44	1.42	2.05	1.02
PR02X112X112T	PRO5V3577100808	943240	2" X 1-1/2" X 1-1/2"	RED TEE 2x1-1/2x1-1/2" COP PRS	in.	2.72	1.14	3.07	1.65	2.83	1.42



Copper Reducer Tee P x P x P

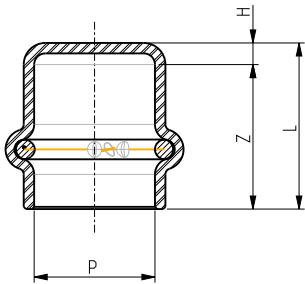
Ref. #	Mfr. #	Webb #	Size P1 x P2 x P3	Description	UM	L1	F	L2	G	L3	C
PR012X34T	PRO5V3677040405	943235	1/2" X 1/2" X 3/4"	RED TEE 1/2x1/2x3/4" COP PRS	in.	1.85	1.1	1.85	1.1	1.46	0.55



Copper Reducer Tee P x P x P

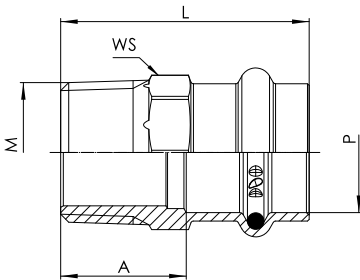
Ref. #	Mfr. #	Webb #	Size P1 x P2 x P3	Description	UM	L1	F	L2	G	L3	C
PRO1X34X12T	PRO5V4777060504	943269	1" X 3/4" X 1/2"	RED TEE 1x3/4x1/2" COP PRS	in.	1.46	0.55	1.73	0.83	1.5	0.75
PRO114X1X34T	PRO5V4777070605	943247	1-1/4" X 1" X 3/4"	RED TEE 1-1/4x1x3/4" COP PRS	in.	1.65	0.63	1.81	0.91	1.73	0.83
PRO112X114X34T	PRO5V4777080705	943226	1-1/2" X 1-1/4" X 3/4"	RED TEE 1-1/2x1-1/4x3/4" COP PRS	in.	2.05	0.63	2.05	1.02	1.97	1.06
PRO112X114X1T	PRO5V4777080706	943228	1-1/2" X 1-1/4" X 1"	RED TEE 1-1/2x1-1/4x1" COP PRS	in.	2.28	0.87	2.28	1.26	2.01	1.1

Copper Cap Press

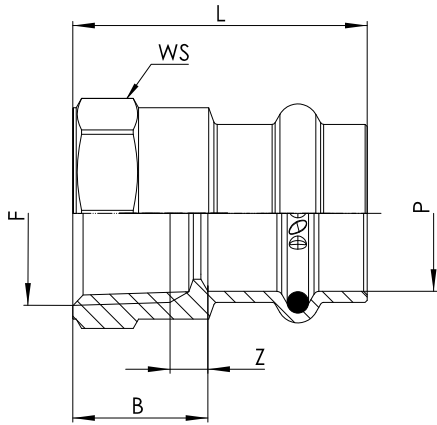


Ref. #	Mfr. #	Webb #	Size P	Description	UM	L	Z	H
PRO12CA	PRO5V537704	943218	1/2"	CAP 1/2" COP PRS	in.	0.87	0.75	0.12
PRO34CA	PRO5V537705	943224	3/4"	CAP 3/4" COP PRS	in.	1.02	0.91	0.12
PRO1CA	PRO5V537706	943227	1"	CAP 1" COP PRS	in.	1.02	0.91	0.12
PRO114CA	PRO5V537707	943233	1-1/4"	CAP 1-1/4" COP PRS	in.	1.14	1.02	0.12
PRO112CA	PRO5V537708	943236	1-1/2"	CAP 1-1/2" COP PRS	in.	1.57	1.42	0.16
PRO2CA	PRO5V537710	943244	2"	CAP 2" COP PRS	in.	1.73	1.57	0.16

LF Brass Press x Male Adapter P x MPT

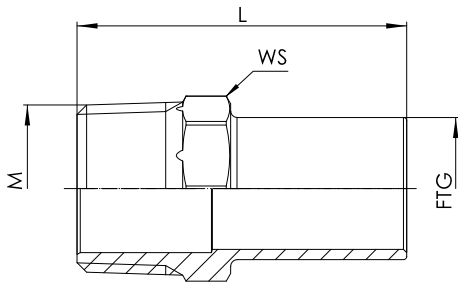


Ref. #	Mfr. #	Webb #	Size P x M	Description	UM	L	A	WS
PRO12X38MA	PRO5V00770403	941168	1/2" X 3/8"	ADPT 1/2x3/8" LF BRASS PRSxM	in.	1.50	0.79	0.79
PRO12MA	PRO5V00770404	941169	1/2" X 1/2"	ADPT 1/2x1/2" LF BRASS PRSxM	in.	1.65	0.94	0.87
PRO12X34MA	PRO5V00770405	941172	1/2" X 3/4"	ADPT 1/2x3/4" LF BRASS PRSxM	in.	1.75	1.04	1.06
PRO34X12MA	PRO5V00770504	941105	3/4" X 1/2"	ADPT 3/4x1/2" LF BRASS PRSxM	in.	1.79	0.89	1.06
PRO34MA	PRO5V00770505	941107	3/4" X 3/4"	ADPT 3/4x3/4" LF BRASS PRSxM	in.	1.83	0.93	1.06
PRO34X1MA	PRO5V00770506	941110	3/4" X 1"	ADPT 3/4x1" LF BRASS PRSxM	in.	2.07	1.16	1.34
PRO1X34MA	PRO5V00770605	941122	1" X 3/4"	ADPT 1x3/4" LF BRASS PRSxM	in.	1.91	0.96	1.34
PRO1MA	PRO5V00770606	941127	1" X 1"	ADPT 1x1" LF BRASS PRSxM	in.	2.09	1.14	1.34
PRO1X114MA	PRO5V00770607	941133	1" X 1-1/4"	ADPT 1x1-1/4" LF BRASS PRSxM	in.	2.46	1.52	1.73
PRO114X1MA	PRO5V00770706	941147	1-1/4" X 1"	ADPT 1-1/4x1" LF BRASS PRSxM	in.	2.46	1.44	1.73
PRO114MA	PRO5V00770707	941151	1-1/4" X 1-1/4"	ADPT 1-1/4x1-1/4" LF BRASS PRSxM	in.	2.46	1.44	1.73
PRO114X112MA	PRO5V00770708	941157	1-1/4" X 1-1/2"	ADPT 1-1/4x1-1/2" LF BRASS PRSxM	in.	2.54	1.52	1.97
PRO112X114MA	PRO5V00770807	941170	1-1/2" X 1-1/4"	ADPT 1-1/2x1-1/4" LF BRASS PRSxM	in.	2.56	1.14	1.97
PRO112MA	PRO5V00770808	941173	1-1/2" X 1-1/2"	ADPT 1-1/2x1-1/2" LF BRASS PRSxM	in.	2.58	1.16	1.97
PRO112X2MA	PRO5V00770810	941184	1-1/2" X 2"	ADPT 1-1/2x2" LF BRASS PRSxM	in.	2.80	1.38	2.44
PRO2X112MA	PRO5V00771008	941123	2" X 1-1/2"	ADPT 2x1-1/2" LF BRASS PRSxM	in.	2.87	1.30	2.44
PRO2MA	PRO5V00771010	941134	2" X 2"	ADPT 2x2" LF BRASS PRSxM	in.	2.91	1.34	2.44



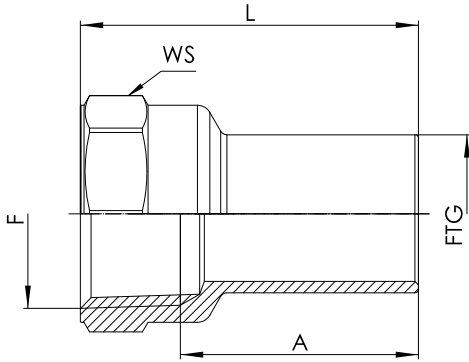
LF Brass Press x Female Adapter P x FPT

Ref. #	Mfr. #	Webb #	Size P x F	Description	UM	L	B	Z	WS
PR012X38FA	PRO5V01770403	941174	1/2" X 3/8"	ADPT 1/2x3/8" LF BRASS PRSxF	in.	1.30	0.59	0.19	0.79
PR012FA	PRO5V01770404	941178	1/2" X 1/2"	ADPT 1/2x1/2" LF BRASS PRSxF	in.	1.48	0.77	0.23	0.98
PR012X34FA	PRO5V01770405	941181	1/2" X 3/4"	ADPT 1/2x3/4" LF BRASS PRSxF	in.	1.54	0.83	0.28	1.22
PR034X12FA	PRO5V01770504	941111	3/4" X 1/2"	ADPT 3/4x1/2" LF BRASS PRSxF	in.	1.75	0.85	0.31	0.98
PR034FA	PRO5V01770505	941116	3/4" X 3/4"	ADPT 3/4x3/4" LF BRASS PRSxF	in.	1.67	0.77	0.22	1.22
PR01X12FA	PRO5V01770604	941124	1" X 1/2"	ADPT 1x1/2" LF BRASS PRSxF	in.	1.85	0.91	0.37	0.98
PR01X34FA	PRO5V01770605	941135	1" X 3/4"	ADPT 1x3/4" LF BRASS PRSxF	in.	1.81	0.87	0.31	1.22
PR01FA	PRO5V01770606	941138	1" X 1"	ADPT 1x1" LF BRASS PRSxF	in.	1.87	0.93	0.26	1.50
PR01X114FA	PRO5V01770607	941141	1" X 1" 1/4"	ADPT 1x1-1/4" LF BRASS PRSxF	in.	2.07	1.12	0.44	1.89
PR0114X1FA	PRO5V01770706	941158	1-1/4" X 1"	ADPT 1-1/4x1" LF BRASS PRSxF	in.	2.02	0.99	0.33	1.89
PR0114FA	PRO5V01770707	941159	1-1/4" X 1-1/4"	ADPT 1-1/4x1-1/4" LF BRASS PRSxF	in.	2.07	1.04	0.36	1.89
PR0112FA	PRO5V01770808	941182	1-1/2" X 1-1/2"	ADPT 1-1/2x1-1/2" LF BRASS PRSxF	in.	2.41	1.00	0.28	2.13
PR02FA	PRO5V01771010	941142	2" X 2"	ADPT 2x2" LF BRASS PRSxF PRSxF	in.	2.56	0.98	0.29	2.64



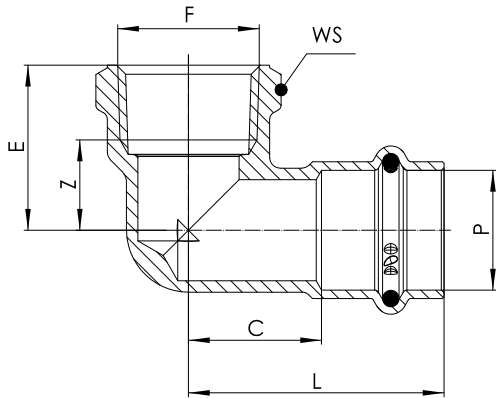
LF Brass Fitting Adapter FTG x MPT

Ref. #	Mfr. #	Webb #	Size FTG x M	DN	Description	UM	L	WS
PR012X38FTGXMA	PRO5V08770403	941120	1/2" X 3/8"	15	ADPT 1/2x3/8" LF BRASS FTGxM	in.	1.69	0.71
PR012FTGXMA	PRO5V08770404	941125	1/2" X 1/2"		ADPT 1/2x1/2" LF BRASS FTGxM	in.	1.83	0.87
PR012X34FTGXMA	PRO5V08770405	941129	1/2" X 3/4"		ADPT 1/2x3/4" LF BRASS FTGxM	in.	1.87	1.06
PR034X12FTGXMA	PRO5V08770504	941148	3/4" X 1/2"	20	ADPT 3/4x1/2" LF BRASS FTGxM	in.	2.01	1.06
PR034FTGXMA	PRO5V08770505	941153	3/4" X 3/4"		ADPT 3/4x3/4" LF BRASS FTGxM	in.	2.03	1.06
PR01FTGXMA	PRO5V08770606	941175	1" X 1"	25	ADPT 1x1" LF BRASS FTGxM	in.	2.28	1.34
PR0114FTGXMA	PRO5V08770707	941112	1-1/4" X 1-1/4"	32	ADPT 1-1/4x1-1/4" LF BRASS FTGxM	in.	2.60	1.89
PR0112FTGXMA	PRO5V08770808	941130	1-1/2" X 1-1/2"	40	ADPT 1-1/2x1-1/2" LF BRASS FTGxM	in.	3.05	2.13
PR02FTGXMA	PRO5V08771010	941180	2" X 2"	50	ADPT 2x2" LF BRASS FTGxM	in.	3.37	2.64



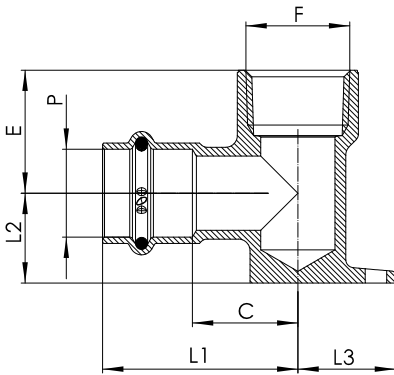
LF Brass Fitting Adapter FTG x FPT

Ref. #	Mfr. #	Webb #	Size FTG x F	Description	UM	L	A	WS
PRO12FTGXFA	PRO5V09770404	941139	1/2" X 1/2"	ADPT 1/2x1/2" LF BRASS FTGxF	in.	1.71	1.18	0.98
PRO12X34FTGXFA	PRO5V09770405	941143	1/2" X 3/4"	ADPT 1/2x3/4" LF BRASS FTGxF	in.	1.79	1.24	1.22
PRO34X12FTGXFA	PRO5V09770504	941154	3/4" X 1/2"	ADPT 3/4x1/2" LF BRASS FTGxF	in.	1.82	1.28	0.98
PRO34FTGXFA	PRO5V09770505	941160	3/4" X 3/4"	ADPT 3/4x3/4" LF BRASS FTGxF	in.	1.87	1.32	1.22
PRO1FTGXFA	PRO5V09770606	941183	1" X 1"	ADPT 1x1" LF BRASS FTGxF	in.	2.03	1.37	1.50
PRO114FTGXFA	PRO5V09770707	941118	1-1/4" X 1-1/4"	ADPT 1-1/4x1-1/4" LF BRASS FTGxF	in.	2.34	1.66	1.89
PRO112FTGXFA	PRO5V09770808	941144	1-1/2" X 1-1/2"	ADPT 1-1/2x1-1/2" LF BRASS FTGxF	in.	2.68	2.00	2.13
PRO2FTGXFA	PRO5V09771010	941187	2" X 2"	ADPT 2x2" LF BRASS FTGxF	in.	2.87	2.18	2.64



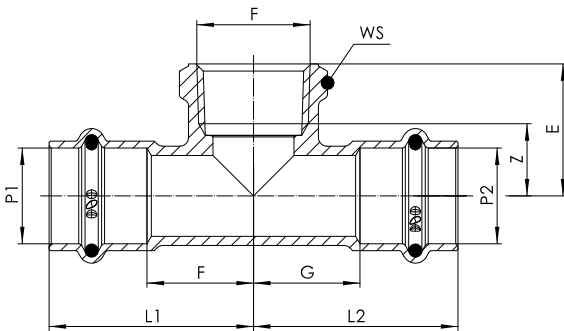
LF Brass 90° Elbow P x FPT

Ref. #	Mfr. #	Webb #	Size P x F	Description	UM	L	C	E	Z	WS
PRO12F90	PRO5V11770404	941146	1/2" X 1/2"	ELL 90DEG 1/2" LF BRASS PxFT	in.	1.57	0.87	1.12	0.59	1.02
PRO34F90	PRO5V11770505	941165	3/4" X 3/4"	ELL 90DEG 3/4" LF BRASS PxFT	in.	1.89	0.98	1.22	0.67	1.22
PRO1F90	PRO5V11770606	941106	1" X 1"	ELL 90DEG 1X1" LF BRASS PxFT	in.	2.17	1.22	1.46	0.80	1.50



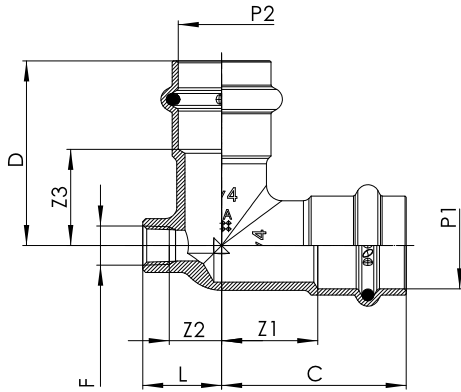
LF Brass 90° Drop Ear Elbow P x FPT

Ref. #	Mfr. #	Webb #	Size P x F	Description	UM	L1	L2	L3	C	E
PR012DE90	PRO5V20770404	941113	1/2" X 1/2"	ELL 90DEG DE 1/2x1/2" LF BRASS PRSxF	in.	1.57	0.79	0.98	0.87	1.00
PR034DE90	PRO5V20770505	941131	3/4" X 3/4"	ELL 90DEG DE 3/4x3/4" LF BRASS PRSxF	in.	1.97	0.91	0.98	1.06	1.24



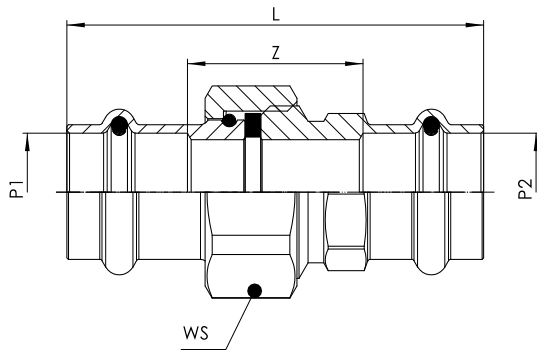
LF Brass Tee P x P x FPT

Ref. #	Mfr. #	Webb #	Size P1 x P2 x F	Description	UM	L1	L2	E	F	G	Z	WS
PR012FT	PRO5V3177040404	941185	1/2" X 1/2" X 1/2"	TEE 1/2x1/2x1/2" LF BRS PxPxFPT	in.	1.57	1.57	1.12	0.87	0.87	0.59	1.02
PR034X14FT	PRO5V3177050502	941161	3/4" X 3/4" X 1/4"	TEE 3/4x3/4x1/4" LF BRS PxPxFPT	in.	1.76	1.76	1.20	0.86	0.86	0.81	1.02
PR034X12FT	PRO5V3177050504	941162	3/4" X 3/4" X 1/2"	TEE 3/4x3/4x1/2" LF BRS PxPxFPT	in.	1.76	1.76	1.20	0.86	0.86	0.65	1.02
PR034FT	PRO5V3177050505	941163	3/4" X 3/4" X 3/4"	TEE 3/4x3/4x3/4" LF BRS PxPxFPT	in.	1.89	1.89	1.22	0.98	0.98	0.67	1.22
PR01X12FT	PRO5V3177060604	941145	1" X 1" X 1/2"	TEE 1x1x1/2" LF BRS PxPxFPT	in.	1.83	1.83	1.36	0.89	0.89	0.83	1.02
PR01X34FT	PRO5V3177060605	941149	1" X 1" X 3/4"	TEE 1x1x3/4" LF BRS PxPxFPT	in.	1.97	1.97	1.40	1.02	1.02	0.85	1.22
PR0114X12FT	PRO5V3177070704	941126	1-1/4" X 1-1/4" X 1/2"	TEE 1-1/4x1-1/4x1/2" LF BRS PxPxFPT	in.	1.85	1.85	1.59	0.83	0.83	1.06	1.02
PR0114X34FT	PRO5V3177070705	941132	1-1/4" X 1-1/4" X 3/4"	TEE 1-1/4x1-1/4x3/4" LF BRS PxPxFPT	in.	1.91	1.91	1.61	0.89	0.89	1.06	1.22
PR0112X12FT	PRO5V3177080804	941117	1-1/2" X 1-1/2" X 1/2"	TEE 1-1/2x1-1/2x1/2" LF BRS PxPxFPT	in.	2.24	2.24	1.77	0.83	0.83	1.24	1.02
PR0112X34FT	PRO5V3177080805	941119	1-1/2" X 1-1/2" X 3/4"	TEE 1-1/2x1-1/2x3/4" LF BRS PxPxFPT	in.	2.28	2.28	1.85	0.87	0.87	1.30	1.22
PR02X12FT	PRO5V3177101004	941164	2" X 2" X 1/2"	TEE 2x2x1/2" LF BRS PxPxFPT	in.	2.50	2.50	2.05	0.93	0.93	1.51	1.02
PR02X34FT	PRO5V3177101005	941166	2" X 2" X 3/4"	TEE 2x2x3/4" LF BRS PxPxFPT	in.	2.56	2.56	2.09	0.98	0.98	1.54	1.22



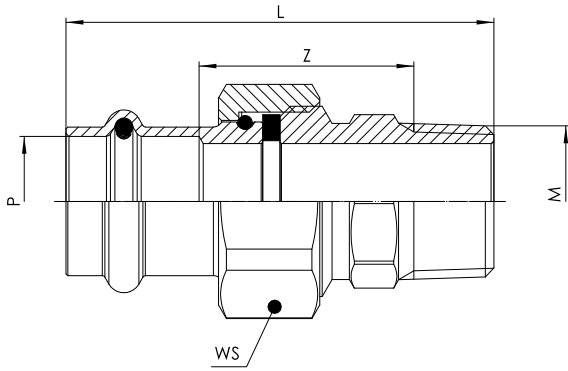
LF Brass 90° Vent Elbow P x F x P

Ref. #	Mfr. #	Webb #	Size P1 x F x P2	Description	UM	C	D	L	Z1	Z2	Z3
PRO12X18X12VE	PRO5V7770404	941167	1/2" X 1/8" X 1/2"	VNT ELL 90DEG 1/2x1/8x1/2" LF BRS PxFTxP	in.	1.57	1.57	0.67	0.87	0.39	0.87
PRO34X18X34VE	PRO5V7770505	941104	3/4" X 1/8" X 3/4"	VNT ELL 90DEG 3/4x1/8x3/4" LF BRS PxFTxP	in.	1.89	1.89	0.81	0.98	0.53	0.98



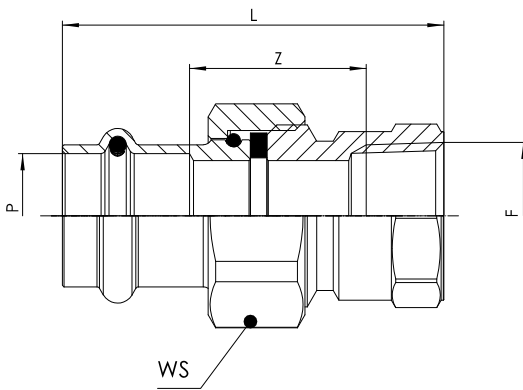
LF Brass Union P x P

Ref. #	Mfr. #	Webb #	Size P1 x P2	Description	UM	L	Z	WS
PRO12UN	PRO5V74770404	941152	1/2" X 1/2"	UN 1/2x1/2" LF BRASS PRS	in.	2.74	1.32	1.18
PRO34UN	PRO5V74770505	941176	3/4" X 3/4"	UN 3/4x3/4" LF BRASS PRS	in.	3.13	1.32	1.46
PRO1UN	PRO5V74770606	941109	1" X 1"	UN 1x1" LF BRASS PRS	in.	3.39	1.50	1.85
PRO114UN	PRO5V74770707	941136	1-1/4" X 1-1/4"	UN 1-1/4x1-1/4" LF BRASS PRS	in.	3.79	1.74	2.05
PRO112UN	PRO5V74770808	941155	1-1/2" X 1-1/2"	UN 1-1/2x1-1/2" LF BRASS PRS	in.	4.17	1.46	2.36
PRO2UN	PRO5V74771010	941115	2" X 2"	UN 2x2" LF BRASS PRS	in.	4.84	1.69	2.95



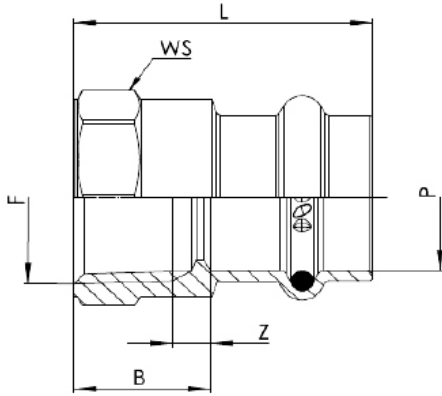
LF Brass Male Union P x MPT

Ref. #	Mfr. #	Webb #	Size P x M	Description	UM	L	Z	WS
PR012MUN	PR05V54770404	941121	1/2" X 1/2"	UN 1/2x1/2" LF BRASS PRSxM	in.	2.62	1.36	1.18
PR034MUN	PR05V54770505	941150	3/4" X 3/4"	UN 3/4x3/4" LF BRASS PRSxM	in.	2.91	1.46	1.46
PR01MUN	PR05V54770606	941171	1" X 1"	UN 1x1" LF BRASS PRSxM	in.	3.37	1.74	1.85
PR0114MUN	PR05V54770707	941108	1-1/4" X 1-1/4"	UN 1-1/4x1-1/4" LF BRASS PRSxM	in.	3.50	1.77	2.05
PR0112MUN	PR05V54770808	941128	1-1/2" X 1-1/2"	UN 1-1/2x1-1/2" LF BRASS PRSxM	in.	3.82	1.79	2.36
PR02MUN	PR05V54771010	941177	2" X 2"	UN 2x2" LF BRASS PRSxM	in.	4.35	2.03	2.95



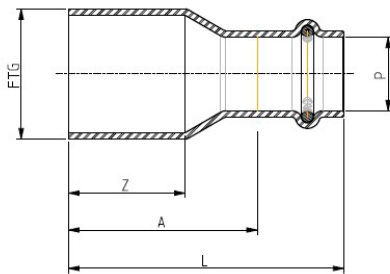
LF Brass Female Union P x FPT

Ref. #	Mfr. #	Webb #	Size P x F	Description	UM	L	Z	WS
PR012FUN	PR05V55770404	941137	1/2" X 1/2"	UN 1/2x1/2" LF BRASS PRSxF	in.	2.36	1.12	1.18
PR034FUN	PR05V55770505	941156	3/4" X 3/4"	UN 3/4x3/4" LF BRASS PRSxF	in.	2.72	1.26	1.46
PR01FUN	PR05V55770606	941179	1" X 1"	UN 1x1" LF BRASS PRSxF	in.	2.72	1.11	1.85
PR0114FUN	PR05V55770707	941114	1-1/4" X 1-1/4"	UN 1-1/4x1-1/4" LF BRASS PRSxF	in.	3.25	1.54	2.05
PR0112FUN	PR05V55770808	941140	1-1/2" X 1-1/2"	UN 1-1/2x1-1/2" LF BRASS PRSxF	in.	3.40	1.42	2.36
PR02FUN	PR05V55771010	941186	2" X 2"	UN 2x2" LF BRASS PRSxF	in.	3.76	1.49	2.95



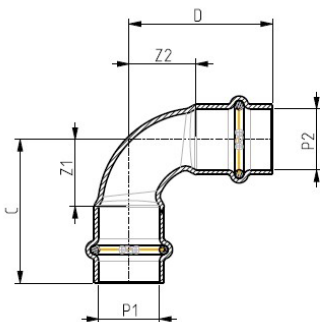
5V01

Ref. #	Mfr. #	Webb #	Size P x M	Description	UM	L	B	Z	WS
PRO114X112FA	PRO5V01770708	1263659	1- 1/4" x 1-1/2"	ADPT 1-1/4x1-1/2" LF BRS PRSxF	in.	2.05	1.02	0.33	2.13
PRO34X1FA	PRO5V01770506	1263669	3/4" x 1"	ADPT 3/4x1" LF BRS PRSxF	in.	1.89	0.98	0.32	1.50



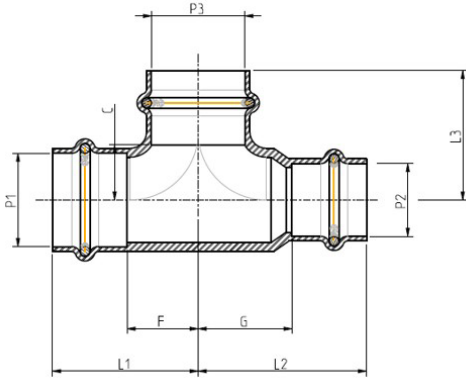
5V04

Ref. #	Mfr#	Webb #	Size Px F	Description	UM	Z	A	L
1263665	PRO5V04771004	1263665	2" x 1/2"	RED FTG 2x1/2" COP FTGxPRS	in.	1.97	2.7	3.41
1263666	PRO5V04771005	1263666	2" x 3/4"	RED FTG 2x3/4" COP FTGxPRS	in.	1.97	2.68	3.58



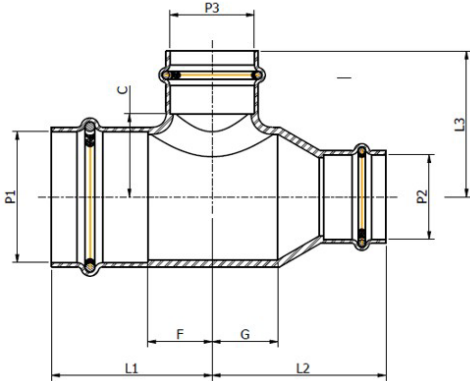
5V12

Ref. #	Mfr#	Webb #	Size P1xP2	Description	UM	Z1	C	Z2	D
PRO1X3490	PRO5V12770605	1263663	1" x 3/4"	ELL 90 DEG 1x3/4" COP PRS	in.	1.2	2.1	1.2	2.1
PRO34X1290	PRO5V12770504	1263668	3/4" x 1/2"	ELL 90 DEG 3/4x1/2" COP PRS	in.	0.9	1.8	0.9	1.7



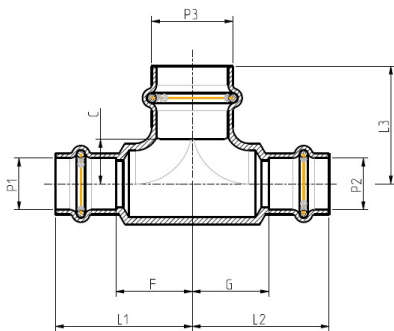
5V34

Ref. #	Mfr#	Webb #	Size P1xP2xP3	Description	UM	L1	F	L2	G	L3	C
PR0114X34X114T	PR05V3477070507	1263660	1-1/4" x 3/4" x 1-1/4"	RED TEE 1-1/4x3/4x1-1/4" COP PRS	in.	2.01	0.98	2.48	1.73	1.85	0.83



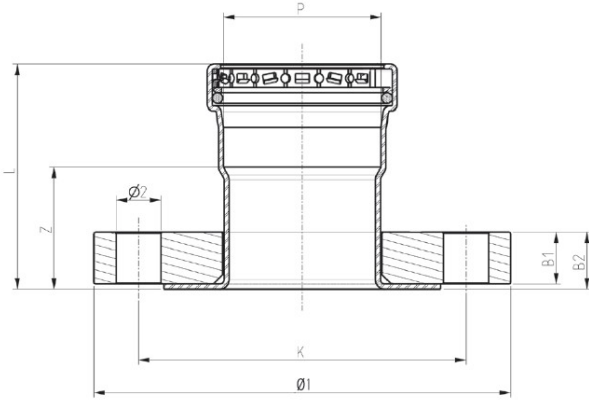
5V35

Ref. #	Mfr#	Webb #	Size P1xP2xP3	Description	UM	L1	F	L2	G	L3	C
PR0114x34x114T	PR05V3577070505	1263661	1-1/4" x 3/4" x 3/4"	RED TEE 1-1/4x3/4x3/4" COP PRS	in.	1.65	0.63	2.05	1.14	1.69	0.79



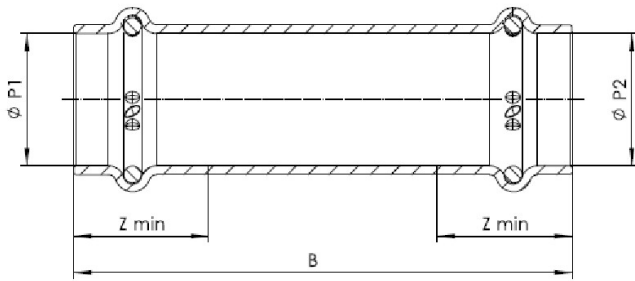
5V36

Ref. #	Mfr#	Webb #	Size P1xP2xP3	Description	UM	L1	F	L2	G	L3	C
PR034X34X1T	PR05V3677050506	1263670	3/4" x 1" x 3/4"	RED TEE 3/4x3/4x1" COP PRS	in.	2.1	1.57	2.1	1.19	0.67	1.19



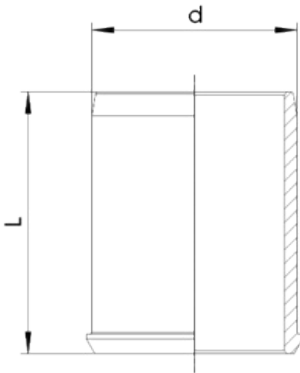
5V56

Ref. #	Mfr#	Webb #	Size P	Description	UM	L1	Z	B1	B2	Ø1	Ø2	K
PRO2FLG	PRO5V567710	1263664	2"	FLG COMP 2" STL/COP PRSxFLG	in.	3.56	1.98	0.71	0.82	5.98	0.75	4.75



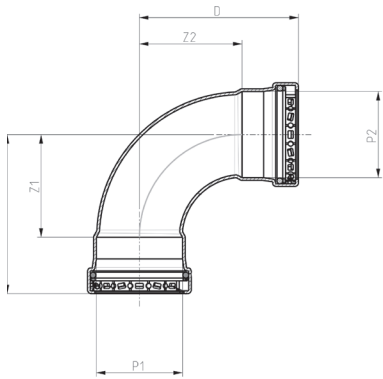
5V76

Ref. #	Mfr#	Webb #	Size P1xP2	Description	UM	B	Z min
PRO12EXTSLCO	PRO5V767704	1263662	1/2" x 1/2"	SLP CPLG EXTND 1/2" COP PRS	in.	3	0.7
PRO34EXTSLCO	PRO5V767705	1263667	3/4" x 3/4"	SLP CPLG EXTND 3/4" COP PRS	in.	3.3	0.9



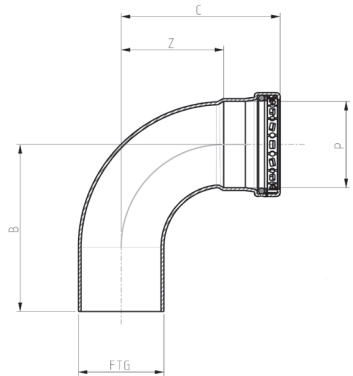
5VRI

Ref. #	Mfr#	Webb #	Size P	Description	UM	d	L
PRO34STIFFENER	PRO5VRI007705	849874	3/4"	STIFNR INS FINNED TUBE 3/4" COP	in.	0.83	1.06



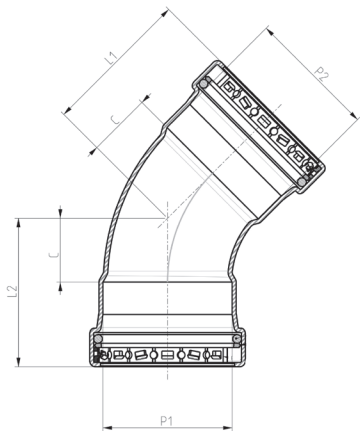
Copper 90° Elbow P x P

Ref. #	Mfr. #	Webb #	Size P1 X P2	Description	UM	Z1	C	Z2	D
PRO21290	PRO5V127712	1102469	2-1/2" X 2-1/2"	ELL 90DEG 2-1/2" COP PRSxPRS	in.	3.15	4.88	3.15	4.88
PRO390	PRO5V127714	1102511	3" X 3"	ELL 90DEG 3" COP PRSxPRS	in.	3.74	5.71	3.74	5.71
PRO490	PRO5V127718	1102441	4" X 4"	ELL 90DEG 4" COP PRSxPRS	in.	4.84	7.24	4.87	7.24



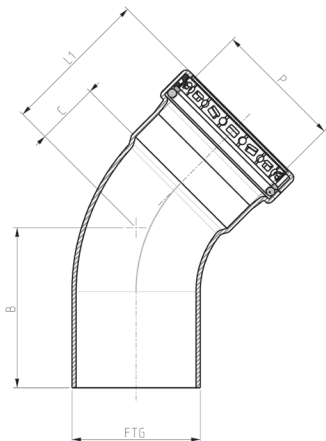
Copper 90° Street Elbow FTG x P

Ref. #	Mfr. #	Webb #	Size FTG X P	Description	UM	B	Z	C
PRO212590	PRO5V137712	1102444	2-1/2" X 2-1/2"	ELL 90DEG ST 2-1/2" COP FTGxPRS	in.	5.12	3.15	4.88
PRO3590	PRO5V137714	1102421	3" X 3"	ELL 90DEG ST 3" COP FTGxPRS	in.	6.02	3.74	5.71
PRO4590	PRO5V137718	1102450	4" X 4"	ELL 90DEG ST 4" COP FTGxPRS	in.	7.52	4.96	7.36



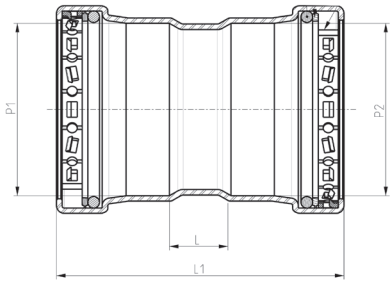
Copper 45° Elbow P x P

Ref. #	Mfr. #	Webb #	Size P1 X P2	Description	UM	C	L1	L2
PRO21245	PRO5V147712	1102427	2-1/2" X 2-1/2"	ELL 45DEG 2-1/2" COP PRSxPRS	in.	1.30	3.03	3.03
PRO345	PRO5V147714	1102473	3" X 3"	ELL 45DEG 3" COP PRSxPRS	in.	1.57	3.54	3.54
PRO445	PRO5V147718	1102495	4" X 4"	ELL 45DEG 4" COP PRSxPRS	in.	2.05	4.45	4.45



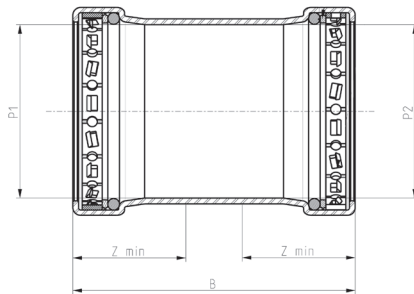
Copper 45° Street Elbow FTG x P

Ref. #	Mfr. #	Webb #	Size FTG X P	Description	UM	B	C	L1
PRO212S45	PRO5V157712	1102497	2-1/2" X 2-1/2"	ELL 45DEG ST 2-1/2" COP FTGxPRS	in.	3.30	1.30	3.00
PRO3S45	PRO5V157714	1102476	3" X 3"	ELL 45DEG ST 3" COP FTGxPRS	in.	3.90	1.60	3.50
PRO4S45	PRO5V157718	1102500	4" X 4"	ELL 45DEG ST 4" COP FTGxPRS	in.	4.60	2.00	4.40



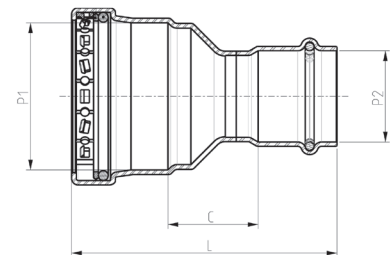
Copper Coupling With Stop P1 X P2

Ref. #	Mfr. #	Webb #	Size P1 X P2	Description	UM	L	L1
PRO212CO	PRO5V027712	1102494	2-1/2" X 2-1/2"	CPLGW/STP 2-1/2x2-1/2" COP PRSxPRS	in.	0.87	4.33
PRO3CO	PRO5V027714	1102440	3" X 3"	CPLGW/STP 3x3" COP PRSxPRS	in.	0.98	4.92
PRO4CO	PRO5V027718	1102459	4" X 4"	CPLGW/STP 4x4" COP PRSxPRS	in.	1.02	5.83



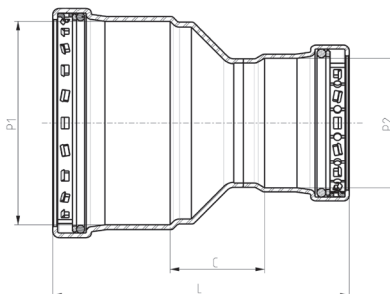
Copper Slip Coupling P x P

Ref. #	Mfr. #	Webb #	Size P1 X P2	Description	UM	B	Z min
PRO212SLCO	PRO5V057712	1102432	2-1/2" X 2-1/2"	SLP CPLG 2-1/2x2-1/2" COP PRSxPRS	in.	4.33	1.73
PRO3SLCO	PRO5V057714	1102516	3" X 3"	SLP CPLG 3x3" COP PRSxPRS	in.	4.92	1.97
PRO4SLCO	PRO5V057718	1102475	4" X 4"	SLP CPLG 4x4" COP PRSxPRS	in.	5.83	2.40



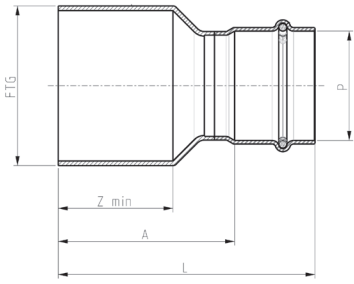
Copper Reducer Coupling P x P

Ref. #	Mfr. #	Webb #	Size P1 X P2	Description	UM	C	L
PRO212X112CO	PRO5V49771208	1102466	2-1/2" X 1-1/2"	RED CPLG 2-1/2x1-1/2" COP PRSxPRS	in.	1.61	4.76
PRO212X2CO	PRO5V49771210	1102477	2-1/2" X 2"	RED CPLG 2-1/2x2" COP PRSxPRS	in.	1.38	4.69
PRO3X112CO	PRO5V49771408	1102463	3" X 1-1/2"	RED CPLG 3x1-1/2" COP PRSxPRS	in.	1.89	5.28
PRO3X2CO	PRO5V49771410	1102458	3" X 2"	RED CPLG 3x2" COP PRSxPRS	in.	1.61	5.16
PRO4X2CO	PRO5V49771810	1102515	4" X 2"	RED CPLG 4x2" COP PRSxPRS	in.	2.13	6.10



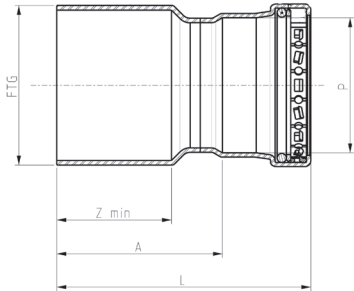
Copper Reducer Coupling P x P

Ref. #	Mfr. #	Webb #	Size P1 X P2	Description	UM	C	L
PRO3X212CO	PRO5V49771412	1102422	3" X 2-1/2"	RED CPLG 3x2-1/2" COP PRSxPRS	in.	1.42	5.12
PRO4X3CO	PRO5V49771814	1102439	4" X 3"	RED CPLG 4x3" COP PRSxPRS	in.	1.77	6.14



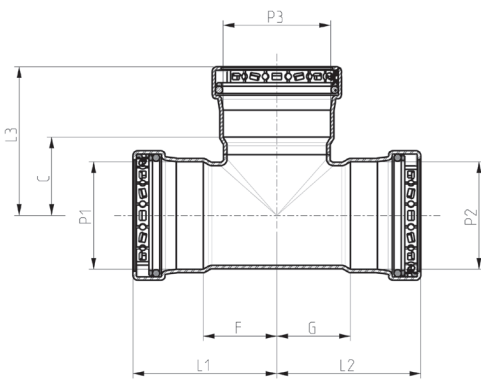
Copper Fitting Reducer FTG x P

Ref. #	Mfr. #	Webb #	Size FTG X P	Description	UM	Z min	A	L
PRO212X112FR	PRO5V04771208	1102474	2-1/2" X 1-1/2"	FTG RED 2-1/2x1-1/2" COP FTGxPRS	in.	1.97	3.15	4.57
PRO212X2FR	PRO5V04771210	1102487	2-1/2" X 2"	FTG RED 2-1/2x2" COP FTGxPRS	in.	1.97	2.87	4.45
PRO3X112FR	PRO5V04771408	1102470	3" X 1-1/2"	FTG RED 3x1-1/2" COP FTGxPRS	in.	2.28	3.70	5.12
PRO3X2FR	PRO5V04771410	1102464	3" X 2"	FTG RED 3x2" COP FTGxPRS	in.	2.28	3.46	5.04
PRO4X2FR	PRO5V04771810	1102423	4" X 2"	FTG RED 4x2" COP FTGxPRS	in.	2.56	4.21	5.79



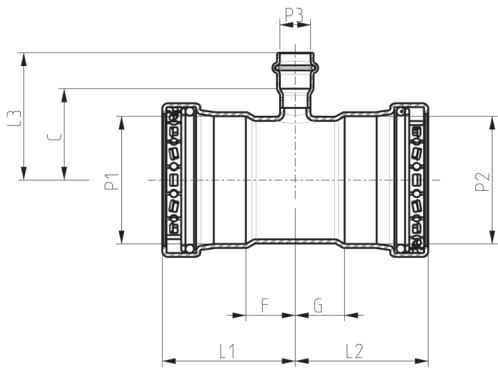
Copper Fitting Reducer FTG x P

Ref. #	Mfr. #	Webb #	Size FTG X P	Description	UM	Z min	A	L
PRO3X212FR	PRO5V04771412	1102429	3" X 2-1/2"	FTG RED 3x2-1/2" COP FTGxPRS	in.	2.28	3.23	4.96
PRO4X212FR	PRO5V04771812	1102435	4" X 2-1/2"	FTG RED 4x2-1/2" COP FTGxPRS	in.	2.56	4.02	5.75
PRO4X3FR	PRO5V04771814	1102447	4 X 3"	FTG RED 4x3" COP FTGxPRS	in.	2.56	3.86	5.83



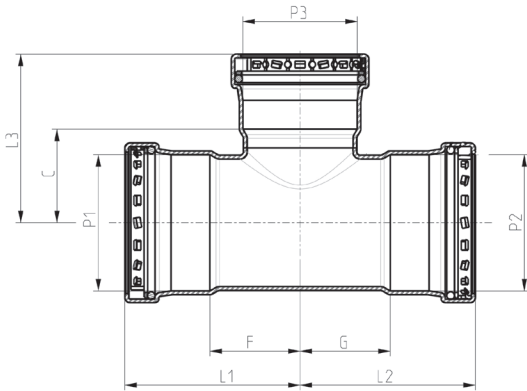
Copper Tee P x P x P

Ref. #	Mfr. #	Webb #	Size P1 X P2 X P3	Description	UM	L1	F	L2	G	L3	C
PRO212T	PRO5V327712	1102513	2-1/2" X 2-1/2" X 2-1/2"	TEE 2-1/2x2-1/2x2-1/2" COP PRSxPRSxPRS	in.	3.54	1.81	3.54	1.81	3.66	1.93
PRO3T	PRO5V327714	1102484	3" X 3" X 3"	TEE 3x3x3" COP PRSxPRSxPRS	in.	4.06	2.09	4.06	2.09	4.21	2.24
PRO4T	PRO5V327718	1102509	4" X 4" X 4"	TEE 4x4x4" COP PRSxPRSxPRS	in.	4.96	2.56	4.96	2.56	5.12	2.72



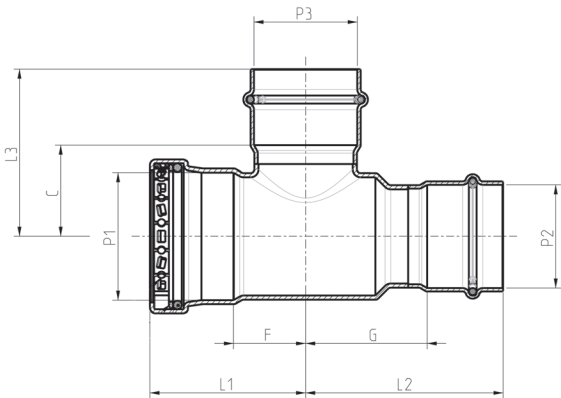
Copper Reducer Tee P x P x P

Ref. #	Mfr. #	Webb #	Size P1 X P2 X P3	Description	UM	L1	F	L2	G	L3	C
PRO212X12T	PRO5V3377121204	1102424	2-1/2" X 2-1/2" X 1/2"	RED TEE 2-1/2x2-1/2x1/2" COP PRS	in.	2.76	1.02	2.76	1.02	2.64	1.89
PRO212X34T	PRO5V3377121205	1102431	2-1/2" X 2-1/2" X 3/4"	RED TEE 2-1/2x2-1/2x3/4" COP PRS	in.	2.76	1.02	2.76	1.02	2.8	1.89
PRO212X1T	PRO5V3377121206	1102507	2-1/2" X 2-1/2" X 1"	RED TEE 2-1/2x2-1/2x1" COP PRS	in.	2.76	1.02	2.76	1.02	2.8	1.89
PRO212X114T	PRO5V3377121207	1102445	2-1/2" X 2-1/2" X 1-1/4"	RED TEE 2-1/2x2-1/2x1-1/4" COP PRS	in.	3.23	1.5	3.23	1.5	2.91	1.89
PRO212X112T	PRO5V3377121208	1102478	2-1/2" X 2-1/2" X 1-1/2"	RED TEE 2-1/2x2-1/2x1-1/2" COP PRS	in.	3.23	1.5	3.23	1.5	3.31	1.89
PRO212X2T	PRO5V3377121210	1102448	2-1/2" X 2-1/2" X 2"	RED TEE 2-1/2x2-1/2x2" COP PRS	in.	3.23	1.5	3.23	1.5	3.46	1.89
PRO3X12T	PRO5V3377141404	1102502	3" X 3" X 1/2"	RED TEE 3x3x1/2" COP PRS	in.	3.03	1.06	3.03	1.06	2.87	2.13
PRO3X34T	PRO5V3377141405	1102508	3" X 3" X 3/4"	RED TEE 3x3x3/4" COP PRS	in.	3.03	1.06	3.03	1.06	3.03	2.13
PRO3X1T	PRO5V3377141406	1102491	3" X 3" X 1"	RED TEE 3x3x1" COP PRS	in.	3.03	1.06	3.03	1.06	3.03	2.13
PRO3X114T	PRO5V3377141407	1102452	3" X 3" X 1-1/4"	RED TEE 3x3x1-1/4" COP PRS	in.	3.54	1.57	3.54	1.57	3.15	2.13
PRO3X112T	PRO5V3377141408	1102488	3" X 3" X 1-1/2"	RED TEE 3x3x1-1/2" COP PRS	in.	3.54	1.57	3.54	1.57	3.54	2.13
PRO3X2T	PRO5V3377141410	1102425	3" X 3" X 2"	RED TEE 3x3x2" COP PRS	in.	3.54	0.157	3.54	1.57	3.7	2.13
PRO4X12T	PRO5V3377181804	1102460	4" X 4" X 1/2"	RED TEE 4x4x1/2" COP PRS	in.	3.46	1.06	3.46	1.06	3.35	2.6
PRO4X34T	PRO5V3377181805	1102471	4" X 4" X 3/4"	RED TEE 4x4x3/4" COP PRS	in.	3.46	1.06	3.46	1.06	3.5	2.6
PRO4X1T	PRO5V3377181806	1102512	4" X 4" X 1"	RED TEE 4x4x1" COP PRS	in.	3.46	1.06	3.46	1.06	3.5	2.6
PRO4X112T	PRO5V3377181808	1102465	4" X 4" X 1-1/2"	RED TEE 4x4x1-1/2" COP PRS	in.	3.98	1.57	3.98	1.57	4.02	2.6
PRO4X2T	PRO5V3377181810	1102453	4" X 4" X 2"	RED TEE 4x4x2" COP PRS	in.	3.98	1.57	3.98	1.57	4.17	2.6



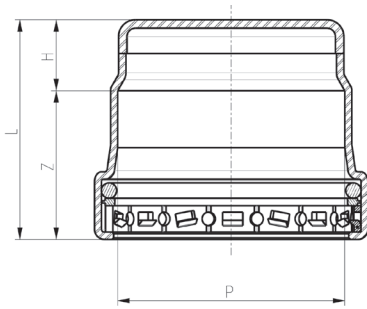
Copper Reducer Tee P x P x P

Ref. #	Mfr. #	Webb #	Size P1 X P2 X P3	Description	UM	L1	F	L2	G	L3	C
PR03X212T	PRO5V3377141412	1102503	3" X 3" X 2-1/2"	RED TEE 3x3x2-1/2" COP PRS	in.	4.06	2.09	4.06	2.09	3.9	2.17
PR04X212T	PRO5V3377181812	1102492	4" X 4" X 2-1/2"	RED TEE 4x4x2-1/2" COP PRS	in.	4.96	2.56	4.96	2.56	4.37	2.64
PR04X3T	PRO5V3377181814	1102483	4" X 4" X 3"	RED TEE 4x4x3" COP PRS	in.	4.53	2.13	5.43	3.46	4.69	2.72



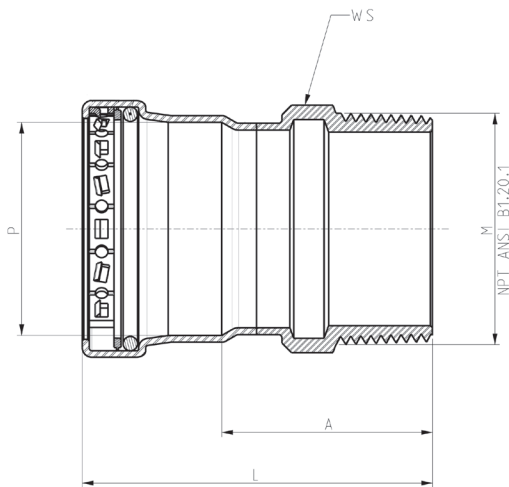
Copper Reducer Tee P x P x P

Ref. #	Mfr. #	Webb #	Size P1 X P2 X P3	Description	UM	L1	F	L2	G	L3	C
PR03X2X2T	PRO5V3577141010	1102490	3" X 2" X 2"	RED TEE 3x2x2" COP PRS	in.	3.54	1.57	4.25	2.68	4.02	2.44



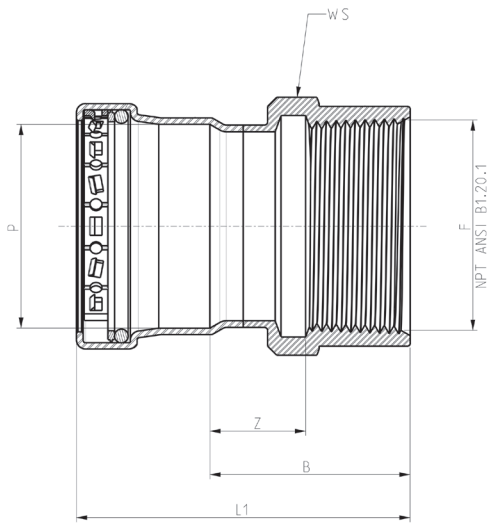
Copper Cap Press

Ref. #	Mfr. #	Webb #	Size P	Description	UM	Z	L	H
PRO212CA	PRO5V537712	1102451	2-1/2"	CAP 2-1/2" COP PRS	in.	1.73	2.56	0.83
PRO3CA	PRO5V537714	1102493	3"	CAP 3" COP PRS	in.	1.97	2.95	0.98
PRO4CA	PRO5V537718	1102517	4"	CAP 4" COP PRS	in.	2.4	3.39	0.098



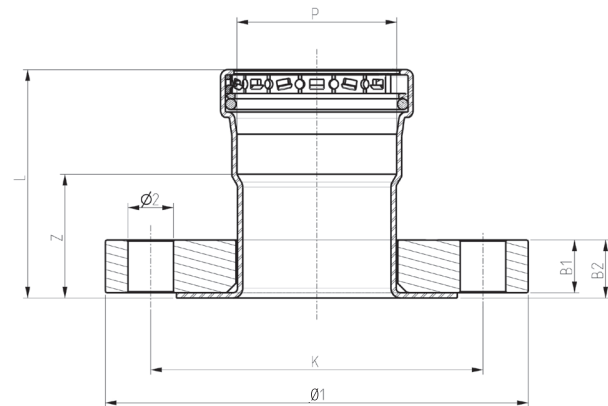
Copper Press x Male Adapter P x MPT

Ref. #	Mfr. #	Webb #	Size P X M	Description	UM	A	L	WS
PRO212MA	PRO5V00771212	1102472	2-1/2" X 2-1/2"	ADPT 2-1/2x2-1/2" COP PRSxM	in.	2.64	4.37	2.91
PRO3MA	PRO5V00771414	1102514	3" X 3"	ADPT 3x3" COP PRSxM	in.	2.78	4.74	3.54
PRO4MA	PRO5V00771818	1102438	4" X 4"	ADPT 4x4" COP PRSxM	in.	3.54	5.94	4.53



Copper Press x Female Adapter P x FPT

Ref. #	Mfr. #	Webb #	Size P X F	Description	UM	Z	B	L1	WS
PR0212FA	PR05V01771212	1102449	2-1/2" X 2-1/2"	ADPT 2-1/2x2-1/2" COP PRSxF	in.	1.24	2.6	4.33	3.19
PR03FA	PR05V01771414	1102489	3" X 3"	ADPT 3x3" COP PRSxF	in.	1.4	2.8	4.76	3.94
PR04FA	PR05V01771818	1102506	4" X 4"	ADPT 4x4" COP PRSxF	in.	1.4	2.93	5.33	4.92



Copper Flange P, BP

Ref. #	Mfr. #	Webb #	Size P, BP	Description	UM	L1	Z	B1	B2	Ø1	Ø2	K
PR0212FLG	PR05V567712	1102433	P: 2-1/2" BP: 4	FLG COMP 2-1/2" STL/COP PRSxFLG	in.	2.83	1.1	0.63	0.71	7	0.75	5.5
PR03FLG	PR05V567714	1102505	P: 3" BP: 4	FLG COMP 3" STL/COP PRSxFLG	in.	3.19	1.22	0.75	0.83	7.5	0.75	4.94
PR04FLG	PR05V567718	1102437	P: 4" BP: 8	FLG COMP 4" STL/COP PRSxFLG	in.	3.7	1.3	0.75	0.83	9	0.75	7.5

Limited Warranty for Copper And Brass Press Fittings

Limited Warranty for Residential and Commercial Applications

PurePro® warrants to the initial purchaser in the United States and Canada which includes licensed installers (each an "initial purchaser") when properly installed in accordance with the published PurePro recommendations and standard industry practice in non-industrial applications and under normal conditions of use, will be free of defects in material and workmanship for a period of fifty (50) years from the date of initial purchase. Should any failure to conform to this warranty appear before the fifty (50) year anniversary of the date of initial purchase, PurePro will, upon written notification and conformance with the procedures set forth below, reimburse the initial purchaser for the repair and/or replacement of the press fitting.

In the event any defect occurs which is believed to be covered by this limited warranty, it is the responsibility of the claimant to (1) obtain and pay for reasonable and related repairs and/ or replacement, and (2) keep the press fitting claimed to be defective. Promptly after the date of such defect (and no later than thirty (30) days after the date of such defect), the claimant shall contact the initial purchaser of the pressfitting in writing to obtain a Return of Material Authorization ("RMA"). The claimant should be prepared to ship to the address indicated in the RMA, at claimant's expense, the pressfitting claimed to be defective and the initial purchaser should document the initial date of purchase. Within a reasonable time after receiving the claimed item, PurePro will investigate the reason for the alleged defect. PurePro will notify the initial purchaser in writing of the results of its review. In the event that PurePro determines that a defect in the pressfitting occurred and that this warranty applies, the SOLE AND EXCLUSIVE REMEDY under this warranty shall be reimbursement for reasonable and related repairs and/or replacement of the defective item.

This limited warranty DOES NOT apply if the defect or any resulting damage is caused by:

1. Any products, parts or components which are not manufactured or sold by PurePro;
2. Any products, parts or components which are used for purposes other than a purpose authorized by PurePro;
3. The improper design, installation, inspection, or testing of the pressfitting and/or the failure to install the pressfitting in accordance with the published PurePro recommendations in effect at the time of the installation and/or the failure to install the pressfitting in accordance with applicable code requirements and standard industry practice;
4. Improper handling and protection of the pressfitting prior to and during installation, inadequate freeze protection, exposure to water pressures or temperatures or in applications outside acceptable operating conditions indicated in the installation manual;
5. Acts of nature such as, but not limited to, earthquakes, fire, flood, or lightning;
6. External environmental causes, such as water quality variations, aggressive water, or other external chemical or physical conditions;
7. Normal wear and tear; or any other cause beyond the reasonable control of PurePro.

PurePro SHALL NOT BE LIABLE UNDER ANY CIRCUMSTANCES FOR ANY OTHER DIRECT OR INDIRECT, INCIDENTAL, CONSEQUENTIAL OR OTHER DAMAGE (BY WAY OF EXAMPLE BUT NOT LIMITATION, WATER DAMAGE OR PROPERTY OR MOLD REMEDIATION) OF ANY KIND, INCLUDING, BUT NOT LIMITED TO, LOSS OF BUSINESS OR LOST PROFIT, UNDER ANY LEGAL THEORY AND WHETHER ASSERTED BY DIRECT ACTION, FOR CONTRIBUTION OR INDEMNITY OR OTHERWISE. THE LIABILITY OF PurePro UNDER THIS LIMITED WARRANTY IS SOLELY LIMITED TO THE REPAIR AND/OR REPLACEMENT OF THE PRESSFITTING THAT HAS BEEN DETERMINED BY PurePro TO CONTAIN A DEFECT IN MATERIAL OR WORKMANSHIP. THIS LIMITED WARRANTY IS THE ONLY WARRANTY FOR THE PRESSFITTING PROVIDED BY PurePro AND IS IN LIEU OF ALL OTHER WARRANTIES, EXPRESS OR IMPLIED, INCLUDING BUT NOT LIMITED TO THE IMPLIED WARRANTIES OF MERCHANTABILITY AND FITNESS FOR A PARTICULAR PURPOSE. Other than this limited warranty, PurePro does not authorize any person or firm to create for it any other obligation or liability in connection with the pressfitting.

Warranty

This Limited Warranty gives you specific legal rights and you also may have other rights which may vary from state to state. This warranty shall be interpreted and applied under the law of the state in which the product is sold.

Limited Warranty for Industrial Applications

Industrial applications are defined as non-residential and non-commercial applications not normally accessible to the general public, including manufacturing, mining, process or fabrication environments. PurePro warrants to the initial purchaser in the United States and Canada which includes only licensed installers (each an "initial purchaser") that PurePro copper and brass press fittings (each a "pressfitting") when properly installed in accordance with the published PurePro recommendations and standard industry practice in an industrial application, will be free of defects in material and workmanship for a period of two (2) years from the date of initial purchase. Should any failure to conform to this warranty appear before the two (2) year anniversary of the date of initial purchase, PurePro will, upon written notification and conformance with the procedures set forth below, reimburse the initial purchaser for the repair and/or replacement of the pressfitting.

In the event any defect occurs which is believed to be covered by this limited warranty, it is the responsibility of the claimant to (1) obtain and pay for reasonable and related repairs and/ or replacement, and (2) keep the pressfitting claimed to be defective. Promptly after the date of such defect (and no later than thirty (30) days after the date of such defect), the claimant shall contact the initial purchaser of the pressfitting in writing to obtain a Return of Material Authorization ("RMA"). The claimant should be prepared to ship to the address indicated in the RMA, at claimant's expense, the pressfitting claimed to be defective and the initial purchaser should document the initial date of purchase. Within a reasonable time after receiving the claimed item, PurePro will investigate the reason for the alleged defect. PurePro will notify the initial purchaser in writing of the results of its review. In the event that PurePro determines that a defect in the pressfitting occurred and that this warranty applies, the SOLE AND EXCLUSIVE REMEDY under this warranty shall be reimbursement for reasonable and related repairs and/or replacement of the defective item.

This limited warranty DOES NOT apply if the defect or any resulting damage is caused by:

1. Any products, parts or components which are not manufactured or sold by PurePro;
2. Any products, parts or components which are used for purposes other than a purpose authorized by PurePro;
3. The improper design, installation, inspection, or testing of the pressfitting and/or the failure to install the pressfitting in accordance with the published PurePro recommendations in effect at the time of the installation and/or the failure to install the pressfitting in accordance with applicable code requirements and standard industry practice;
4. Improper handling and protection of the pressfitting prior to and during installation, inadequate freeze protection, exposure to water pressures or temperatures or in applications outside acceptable operating conditions indicated in the installation manual;
5. Acts of nature such as, but not limited to, earthquakes, fire, flood, or lightning;
6. External environmental causes, such as water quality variations, aggressive water, or other external chemical or physical conditions;
7. Normal wear and tear; or any other cause beyond the reasonable control of PurePro.

PUREPRO SHALL NOT BE LIABLE UNDER ANY CIRCUMSTANCES FOR ANY OTHER DIRECT OR INDIRECT, INCIDENTAL, CONSEQUENTIAL OR OTHER DAMAGE (BY WAY OF EXAMPLE BUT NOT LIMITATION, WATER DAMAGE OR PROPERTY OR MOLD REMEDIATION) OF ANY KIND, INCLUDING, BUT NOT LIMITED TO, LOSS OF BUSINESS OR LOST PROFIT, UNDER ANY LEGAL THEORY AND WHETHER ASSERTED BY DIRECT ACTION, FOR CONTRIBUTION OR INDEMNITY OR OTHERWISE. THE LIABILITY OF PUREPRO UNDER THIS LIMITED WARRANTY IS SOLELY LIMITED TO THE REPAIR AND/OR REPLACEMENT OF THE PRESSFITTING THAT HAS BEEN DETERMINED BY PurePro TO CONTAIN A DEFECT IN MATERIAL OR WORKMANSHIP.

WARRANTY THIS LIMITED WARRANTY IS THE ONLY WARRANTY FOR THE PRESSFITTING PROVIDED BY PurePro AND IS IN LIEU OF ALL OTHER WARRANTIES, EXPRESS OR IMPLIED, INCLUDING BUT NOT LIMITED TO THE IMPLIED WARRANTIES OF MERCHANTABILITY AND FITNESS FOR A PARTICULAR PURPOSE. Other than this limited warranty, PurePro does not authorize any person or firm to create for it any other obligation or liability in connection with the pressfitting.

This Limited Warranty gives you specific legal rights and you also may have other rights which may vary from state to state. This warranty shall be interpreted and applied under the law of the state in which the product is sold.

LIEU OF ALL OTHER WARRANTIES, EXPRESS OR IMPLIED, INCLUDING BUT NOT LIMITED TO THE IMPLIED WARRANTIES OF MERCHANTABILITY AND FITNESS FOR A PARTICULAR PURPOSE. Other than this limited warranty, PurePro does not authorize any person or firm to create for it any other obligation or liability in connection with the pressfitting.

This Limited Warranty gives you specific legal rights and you also may have other rights which may vary from state to state. This warranty shall be interpreted and applied under the law of the state in which the product is sold.

CUSTOMER SERVICE:

ph: 888-936-0880

email: purepro@fwwebb.com

fwwebb.com/purepro



CUSTOMER SERVICE:

ph: 888-936-0880

email: purepro@fwwebb.com

fwwebb.com/purepro