

SUBMITTAL SHEET

Temperature gauges for use on:

- Hot water lines
- Boilers
- Hydronic heating

Dial: Aluminum

Accuracy: ±1%

Scale: Farenheit

Lens: Glass

Case: Aluminum

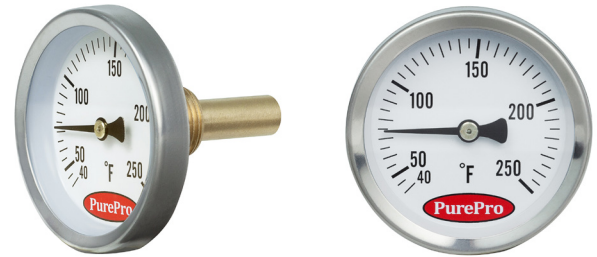
Ring: Steel, chrome plated

Thermowell: Brass (HPB59-1), 1/2" NPT standard, separable

Sensing Element: Bi-metallic

Pointer: Aluminum, painted black

Job Name:	
Job Location:	
Engineer:	
Contractor:	
Tag:	
PO Number:	
Representative:	
Wholesale Distributor:	



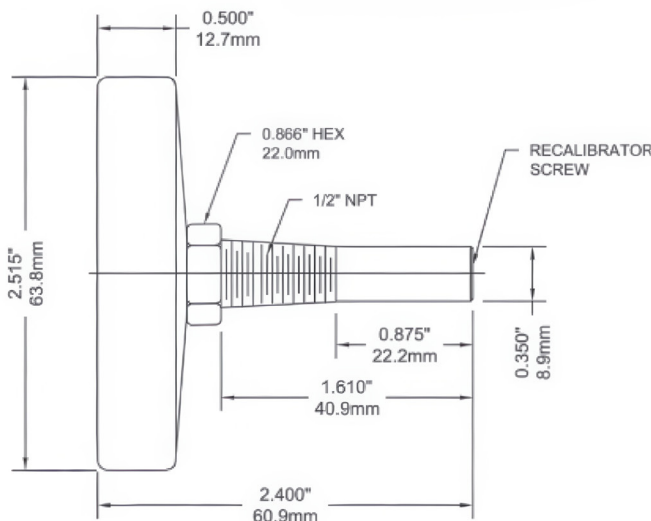
WARNING: Cancer and Reproductive Harm - www.P65Warnings.ca.gov

Country of Origin: Made in Singapore

Specifications					
WEBB#	MFR #	DESCRIPTION	DIAL	RANGE	CONNECTION
75534	PROGA-TGSWT	THERM DIAL 40-250DEG F 2-1/2"D 3/4" SWT	2.5" (63mm)	40°F to 250°F (4°C to 120°C)	3/4" Sweatwell
87133	PROGA-TGTHD	THERM DIAL 40-250DEG F 2-1/2"D 1/2" MNPT	2.5" (63mm)	40°F to 250°F (4°C to 120°C)	1/2" NPT

PROGA-TGTHD

2.5" NPT Type



PROGA-TGSWT

2.5" Sweatwell Type

