



BRADFORD WHITE[®]
W A T E R H E A T E R S

RESIDENTIAL REPLACEMENT PARTS LIST
Residential Atmospheric Vent Gas Models



“RG” Models

DEFENDER
SAFETY SYSTEM[®]

Includes Hydrojet[®]
Total Performance System

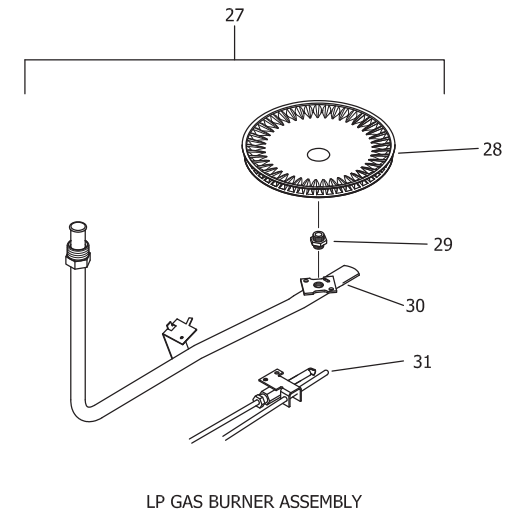
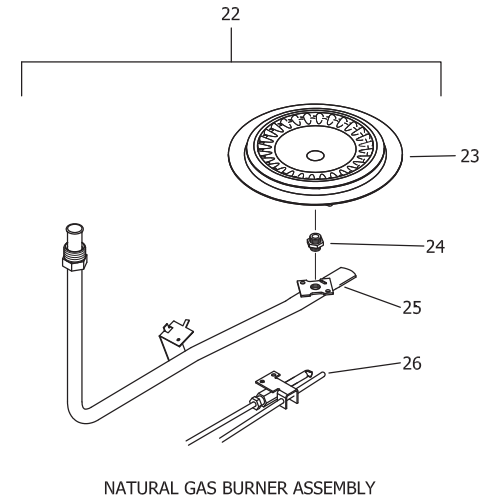
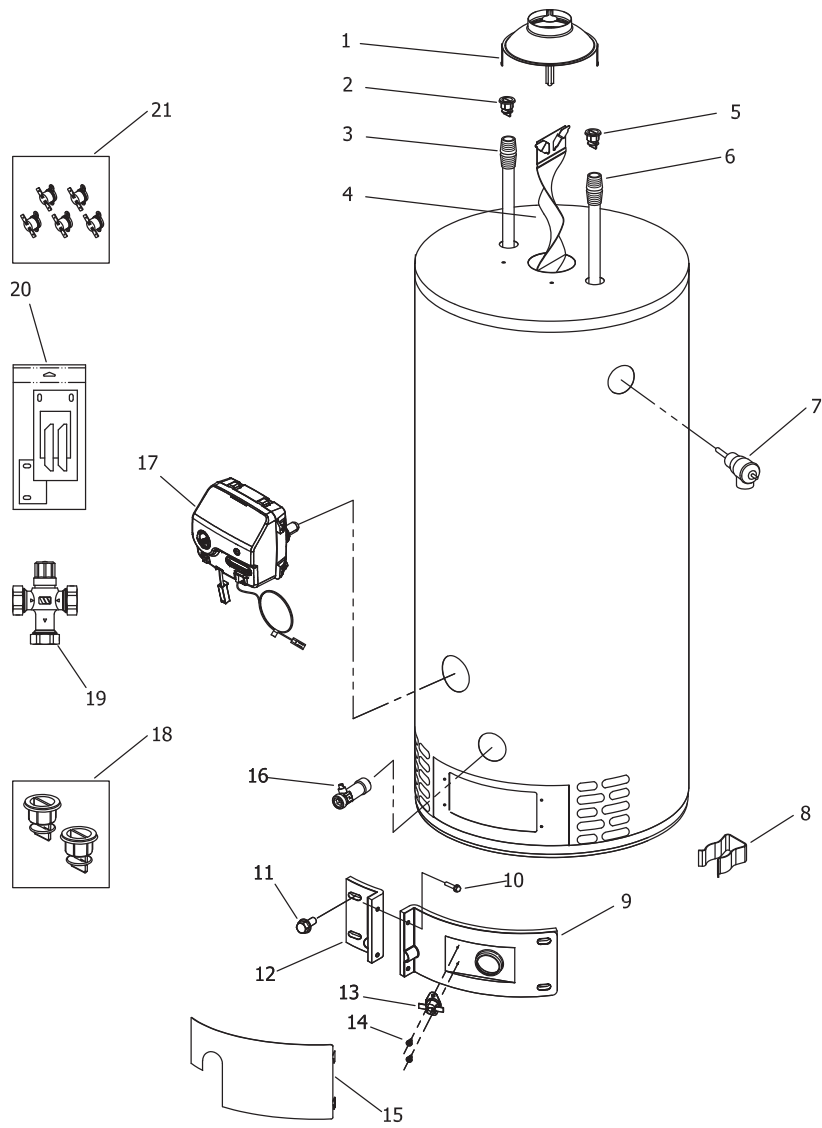
Effective: August 2018
ECO 8107

**NOTE: BOTH MODEL AND SERIAL
NUMBERS ARE REQUIRED FOR
ORDERING REPLACEMENT PARTS**

Dimensions and specifications
subject to change without notice.

WARNING
CANCER AND REPRODUCTIVE HARM
WWW.P65WARNINGS.CA.GOV

As required by the state of California Proposition 65.



Item	Description	Model	Model	Model
		RG130T*(N,X)	RG140T*(N,X)	RG150T*(N,X)
1	Draft Diverter	243-45787-00	243-45787-00	243-45787-00
2	Heat Trap Insert (Outlet)	239-45167-00	239-45167-00	239-45167-00
3	Hot Water Outlet Anode (Magnesium) ▲#	224-47776-19	224-47776-19	224-47776-19
	Hot Water Outlet (Aluminum) ▲#	224-32999-42	224-32999-42	224-32999-42
	Hot Water Outlet (A420 Aluminum) ▲#	224-49560-10	224-49560-10	224-49560-10
4	Flue Baffle	243-51480-00	243-51477-00	243-51477-00
5	Heat Trap Insert (Inlet)	239-51556-00	239-51556-00	239-51556-00
6	Cold Water Inlet Dip Tube (PEX) ▲▲	229-51230-19	229-51230-21	229-51230-18
7	T&P Relief Valve	230-40594-02	230-40594-02	230-40594-02
8	Feedline Clip	239-47475-00	239-47475-00	239-47475-00
9	Right Side Inner Door Complete	239-43963-01	239-43963-04	239-43963-06
10	Screw-#8-18 x 3/4 HWH	239-44195-00	239-44195-00	239-44195-00
11	Screw-#10-12 x 3/4 HWH	239-44113-00	239-44113-00	239-44113-00
12	Left Side Inner Door Complete	239-43968-14	239-43968-16	239-43968-18
13	Resettable Thermal Switch	239-43676-02	239-43676-02	239-43676-01
14	Screw-#6-20 x 3/8 PHCR	239-43967-00	239-43967-00	239-43967-00
15	Outer Door	243-43962-00	243-43962-00	243-43962-00
16	Brass Drain Valve	265-42351-02	265-42351-02	265-42351-02
17	Gas Control Direct Replacement (Nat. Gas)**	239-47463-01	239-47463-01	239-47463-01
	Gas Control Direct Replacement (LP Gas)**	239-47465-01	239-47465-01	239-47465-01
	Gas Control Universal Replacement (Nat. Gas)	239-47851-00		
	Gas Control Universal Replacement (LP Gas)			
18	Kit-Heat Trap Insert	265-51572-00	265-51572-00	265-51572-00
19	ASSE Approved Mixing Valve (Optional)	239-51778-00	239-51778-00	239-51778-00
20	Inner Door Gasket Kit	239-44078-00	239-44078-00	239-44078-00
21	Resettable Thermal Switch Kit (5 pcs.)	265-48643-02	265-48643-02	265-48643-01
	Natural Gas Burner Assembly			
22	Nat Gas Burner Assembly Complete*** **	265-51668-01-39	265-51668-02-35	265-48037-03-35
23	Nat. Gas Burner**	228-42506-00	228-42506-00	228-42506-00
24	Nat. Gas Main Burner Orifice** (0 Ft. to 2,000 Ft.)	234-41034-39	234-41034-35	234-41034-35
	Nat. Gas High Altitude Orifice 0 Ft. to 7,000 Ft. (-475 model suffixes) **	234-41034-43	234-41034-39	234-41034-39
	Nat. Gas High Altitude Kit 7,001 Ft. to 10,000 Ft.	TBD	TBD	TBD
25	Feedline	233-48094-01	233-48094-02	233-48094-03
26	Nat. Gas Pilot Assembly**	233-51586-02	233-51586-02	233-47845-05
	Nat. Gas Pilot Assembly 0 Ft. to 7,000 Ft.(-475 model suffixes) **	233-47845-05	233-47845-05	233-47845-05
	LP Gas Burner Assembly			
27	LP Gas Burner Assembly Complete*** **	265-48038-01-53	265-48038-02-51	265-48038-03-51
28	LP Gas Burner**	228-46964-00	228-46964-00	228-46964-00
29	LP Gas Main Burner Orifice**	234-47064-53	234-47064-51	234-47064-51
	LP Gas High Altitude Orifice 0 Ft. to 7,000 Ft. (-475 model suffixes) **	234-47064-54	234-47064-53	234-47064-53
	LP Gas High Altitude Orifice 7,001 Ft. to 10,000 Ft.**	TBD	TBD	TBD
30	Feedline	233-47108-01	233-47108-02	233-47108-03
31	LP Gas Pilot Assembly**	233-47846-05	233-47846-05	233-47846-05
	LP to Nat. Gas Conversion Kit	265-47452-37	265-47452-39	265-45712-84
	LP to Nat. Gas High Altitude Conversion Kit (-475 model suffixes)	265-47452-38	265-47452-40	265-45712-85

*Applies to all warranties

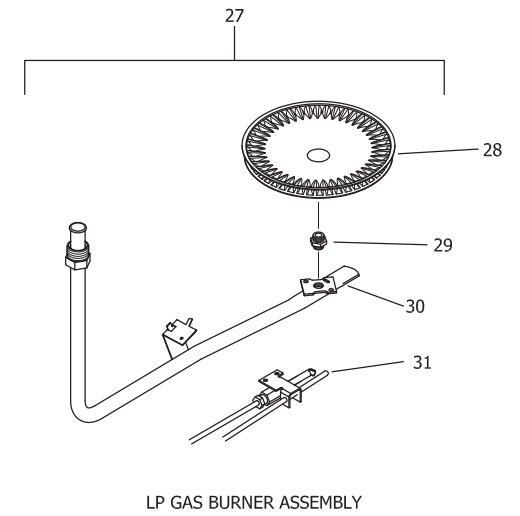
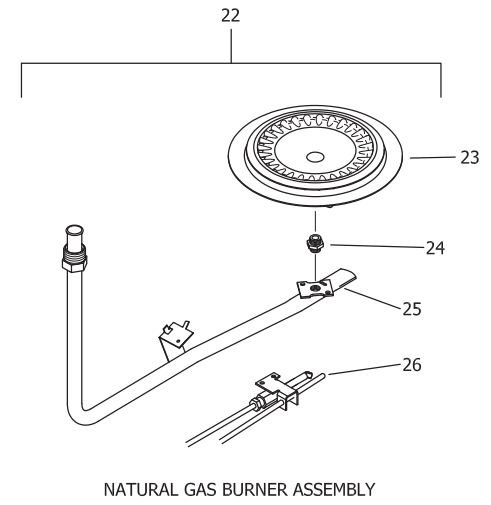
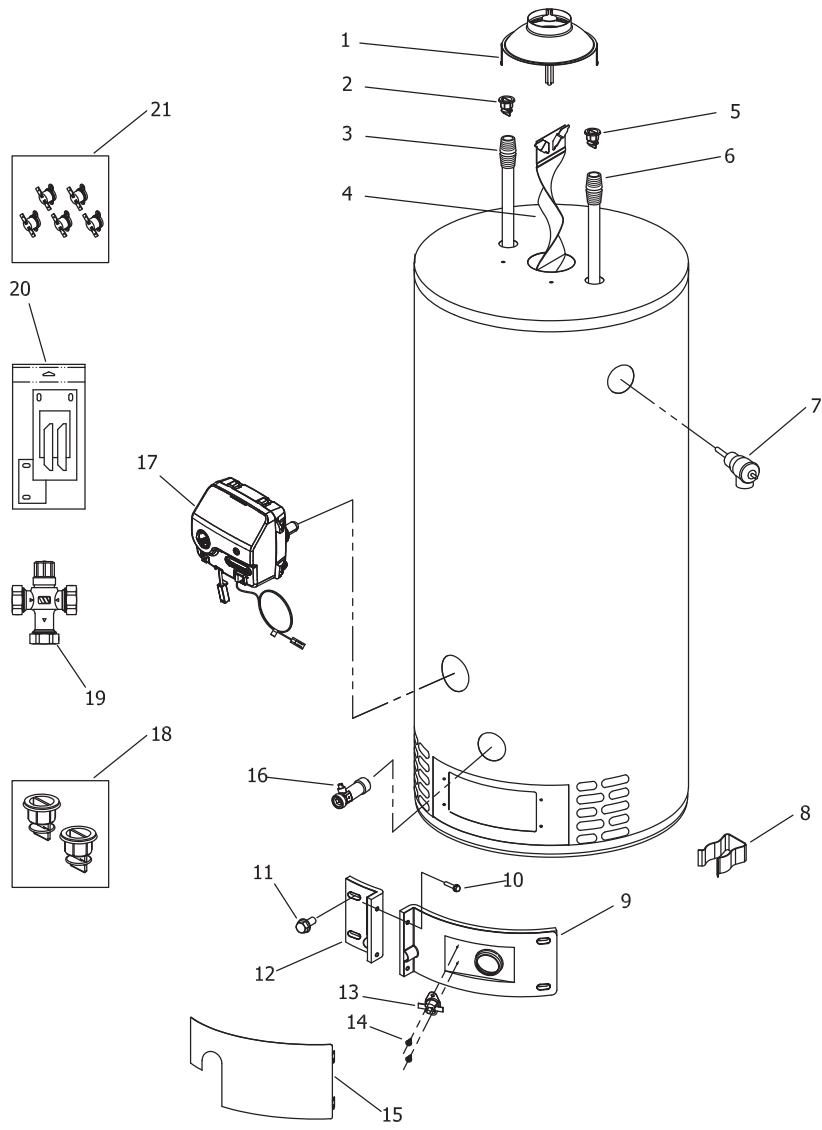
**Inner door gasket kit recommended

***Ordering a complete burner assembly may increase delivery time. Please order the specific component required for the quickest delivery.

▲ Order with item 2
▲▲ Order with item 5

Anode may need to be cut to length





Item Description	Model	Model	Model	Model
	RG230S*(N,X)	RG230T*(N,X)	RG240S*(N,X)	RG240T*(N,X)
1 Draft Diverter	243-45787-00	243-45787-00	243-45787-00	243-45787-00
2 Heat Trap Insert (Outlet)	239-45167-00	239-45167-00	239-45167-00	239-45167-00
3 Hot Water Outlet Anode (Magnesium) ▲#	224-47776-19	224-47776-19	224-47776-19	224-47776-19
Hot Water Outlet (Aluminum) ▲#	224-32999-42	224-32999-42	224-32999-42	224-32999-42
Hot Water Outlet (A420 Aluminum) ▲#	224-49560-10	224-49560-10	224-49560-10	224-49560-10
4 Flue Baffle	243-45226-00	243-44639-00	243-50993-00	243-50065-03
5 Heat Trap Insert (Inlet)	239-51556-00	239-51556-00	239-51556-00	239-51556-00
6 Cold Water Inlet Dip Tube (PEX) ▲▲	229-51230-20	229-51230-19	229-51230-24	229-51230-21
7 T&P Relief Valve	230-40594-02	230-40594-02	230-40594-02	230-40594-02
8 Feedline Clip	239-47475-00	239-47475-00	239-47475-00	239-47475-00
9 Right Side Inner Door Complete (Nat. Gas)	239-43963-03	239-43963-02	239-43963-07	239-43963-05
Right Side Inner Door Complete (LP Gas)	239-43963-03	239-43963-02	239-43963-07	239-43963-04
10 Screw-#8-18 x 3/4 HWH	239-44195-00	239-44195-00	239-44195-00	239-44195-00
11 Screw-#10-12 x 3/4 HWH	239-44113-00	239-44113-00	239-44113-00	239-44113-00
12 Left Side Inner Door Complete	239-43968-16	239-43968-14	239-43968-18	239-43968-16
13 Resettable Thermal Switch	239-43676-01	239-43676-03	239-43676-02	239-43676-03
14 Screw-#6-20 x 3/8 PHCR	239-43967-00	239-43967-00	239-43967-00	239-43967-00
15 Outer Door	243-43962-00	243-43962-00	243-43962-00	243-43962-00
16 Brass Drain Valve	265-42351-02	265-42351-02	265-42351-02	265-42351-02
17 Gas Control Direct Replacement (Nat. Gas)	239-47463-02	239-47463-02	239-47463-02	239-47463-02
Gas Control Direct Replacement (LP Gas)	239-47465-02	239-47465-02	239-47465-02	239-47465-02
Gas Control Universal Replacement (Nat. Gas)	239-47851-00	239-47851-00	239-47851-00	239-47851-00
Gas Control Universal Replacement (LP Gas)	239-47856-00	239-47856-00	239-47856-00	239-47856-00
18 Kit-Heat Trap Insert	265-51572-00	265-51572-00	265-51572-00	265-51572-00
19 ASSE Approved Mixing Valve (Optional)	239-51778-00	239-51778-00	239-51778-00	239-51778-00
20 Inner Door Gasket Kit	239-44078-00	239-44078-00	239-44078-00	239-44078-00
21 Resettable Thermal Switch Kit (5 pcs.)	265-43676-01	265-43676-03	265-43676-02	265-43676-03
Natural Gas Burner Assembly				
22 Nat Gas Burner Assembly Complete*** **	265-48037-03-38	265-48037-02-36	265-48037-04-32	265-48037-03-32
23 Nat. Gas Burner**	228-42506-00	228-42506-00	228-42506-00	228-42506-00
24 Nat. Gas Main Burner Orifice** (0 Ft. to 2,000 Ft.)	234-41034-38	234-41034-36	234-41034-32	234-41034-32
Nat. Gas High Altitude Orifice 0 Ft. to 7,000 Ft. (-475 model suffixes) **	234-41034-42	234-41034-41	234-41034-36	234-41034-36
Nat. Gas High Altitude Kit 7,001 Ft. to 10,000 Ft.	265-51311-02-44	265-51311-02-43	265-51311-02-40	265-51311-02-40
25 Feedline	233-48094-03	233-48094-02	233-48094-04	233-48094-03
26 Nat. Gas Pilot Assembly**	233-47845-05	233-47845-05	233-47845-05	233-47845-05
LP Gas Burner Assembly				
27 LP Gas Burner Assembly Complete*** **	265-48038-03-53	265-48038-02-60	265-48038-04-50	265-48038-03-52
28 LP Gas Burner**	228-46964-00	228-46964-00	228-46964-00	228-46964-00
29 LP Gas Main Burner Orifice**	234-47064-53	234-47064-60	234-47064-50	234-47064-52
LP Gas High Altitude Orifice 0 Ft. to 7,000 Ft. (-475 model suffixes) **	234-47064-54	234-47064-54	234-47064-52	234-47064-53
LP Gas High Altitude Orifice 7,001 Ft. to 10,000 Ft.**	265-51367-02-55	265-51367-02-54	265-51367-02-53	265-51367-02-54
30 Feedline	233-47108-03	233-47108-02	233-47108-04	233-47108-03
31 LP Gas Pilot Assembly**	233-47846-05	233-47846-05	233-47846-05	233-47846-05
LP to Nat. Gas Conversion Kit	265-45712-72	265-45712-09	265-45712-75	265-45712-10
LP to Nat. Gas High Altitude Conversion Kit (-475 model suffixes)	265-45712-73	265-45712-74	265-45712-76	265-45712-77

*Applies to all warranties

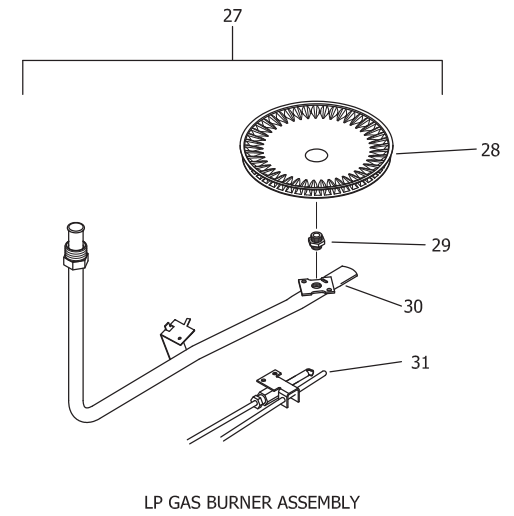
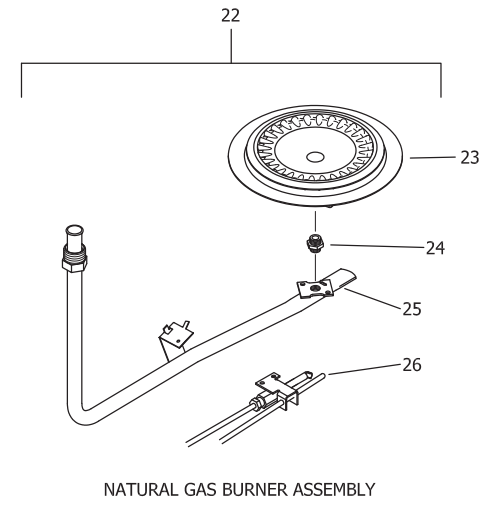
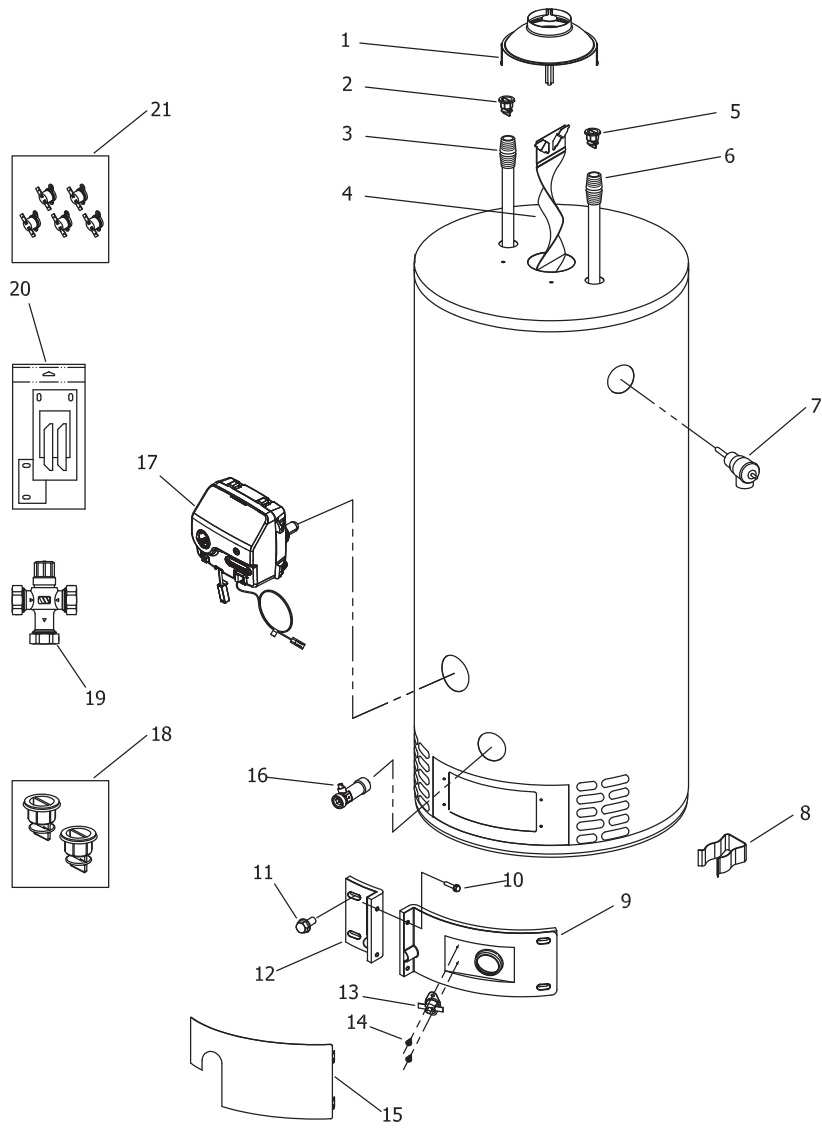
**Inner door gasket kit recommended

***Ordering a complete burner assembly may increase delivery time.
Please order the specific component required for the quickest delivery.

▲ Order with item 2

▲▲ Order with item 5

Anode may need to be cut to length



Item	Description	Model	Model	Model
		RG250L*(N,X)	RG250S*(N,X)	RG250T*(N,X)
1	Draft Diverter	243-45787-00	239-33081-02-20-15	243-45787-00
2	Heat Trap Insert (Outlet)	239-45167-00	239-45167-00	239-45167-00
3	Hot Water Outlet Anode (Magnesium) ▲#	224-47776-19	224-47776-19	224-47776-19
	Hot Water Outlet (Aluminum) ▲#	224-32999-42	224-32999-42	224-32999-42
	Hot Water Outlet (A420 Aluminum) ▲#	224-49560-10	224-49560-10	224-49560-10
4	Flue Baffle	243-45223-00	243-45225-00	243-44705-00
5	Heat Trap Insert (Inlet)	239-51556-00	239-51556-00	239-51556-00
6	Cold Water Inlet Dip Tube (PEX)▲▲	229-51230-16	229-51230-14	229-51230-18
7	T&P Relief Valve	230-40594-02	230-40594-02	230-40594-02
8	Feedline Clip	239-47475-00	239-47475-00	239-47475-00
9	Right Side Inner Door Complete	239-43963-09	239-43963-06	239-43963-07
10	Screw-#8-18 x 3/4 HWH	239-44195-00	239-44195-00	239-44195-00
11	Screw-#10-12 x 3/4 HWH	239-44113-00	239-44113-00	239-44113-00
12	Left Side Inner Door Complete	239-43968-20	239-43968-18	239-43968-18
13	Resettable Thermal Switch	239-43676-01	239-43676-01	239-43676-02
14	Screw-#6-20 x 3/8 PHCR	239-43967-00	239-43967-00	239-43967-00
15	Outer Door	243-43962-00	243-43962-00	243-43962-00
16	Brass Drain Valve	265-42351-02	265-42351-02	265-42351-02
17	Gas Control Direct Replacement (Nat. Gas)	239-47463-02	239-47463-02	239-47463-02
	Gas Control Direct Replacement (LP Gas)	239-47465-02	239-47465-02	239-47465-02
	Gas Control Universal Replacement (Nat. Gas)	239-47851-00	239-47851-00	239-47851-00
	Gas Control Universal Replacement (LP Gas)	239-47856-00	239-47856-00	239-47856-00
18	Kit-Heat Trap Insert	239-51572-00	239-51572-00	239-51572-00
19	ASSE Approved Mixing Valve (Optional)	239-51778-00	239-51778-00	239-51778-00
20	Inner Door Gasket Kit	239-44078-00	239-44078-00	239-44078-00
21	Resettable Thermal Switch Kit (5 pcs.)	265-43676-01	265-43676-01	265-43676-02
	Natural Gas Burner Assembly			
22	Nat Gas Burner Assembly Complete*** **	265-48037-05-32	265-48037-04-30	265-48037-04-32
23	Nat. Gas Burner**	228-42506-00	228-42506-00	228-42506-00
24	Nat. Gas Main Burner Orifice** (0 Ft. to 2,000 Ft.)	234-41034-32	234-41034-30	234-41034-32
	Nat. Gas High Altitude Orifice 0 Ft. to 7,000 Ft. (-475 model suffixes) **	234-41034-36	234-41034-32	234-41034-36
	Nat. Gas High Altitude Kit 7,001 Ft. to 10,000 Ft.	265-51311-02-40	265-51311-02-35	265-51311-02-40
25	Feedline	233-48094-05	233-48094-04	233-48094-04
26	Nat. Gas Pilot Assembly**	233-47845-05	233-47845-05	233-47845-05
	LP Gas Burner Assembly			
27	LP Gas Burner Assembly Complete*** **	265-48038-05-50	265-48039-03-47	265-48038-04-51
28	LP Gas Burner**	228-46964-00	228-47000-00	228-46964-00
29	LP Gas Main Burner Orifice**	234-47064-50	234-47064-47	234-47064-51
	LP Gas High Altitude Orifice 0 Ft. to 7,000 Ft. (-475 model suffixes) **	234-47064-52	234-47064-50	234-47064-53
	LP Gas High Altitude Orifice 7,001 Ft. to 10,000 Ft.**	265-51367-02-53	265-51367-02-51	265-51367-02-54
30	Feedline	233-47108-05	243-48039-03	233-47108-04
31	LP Gas Pilot Assembly**	233-47846-05	233-47846-05	233-47846-05
	LP to Nat. Gas Conversion Kit	265-45712-78	265-45712-80	265-45712-75
	LP to Nat. Gas High Altitude Conversion Kit (-475 model suffixes)	265-45712-79	265-45712-81	265-45712-76

*Applies to all warranties

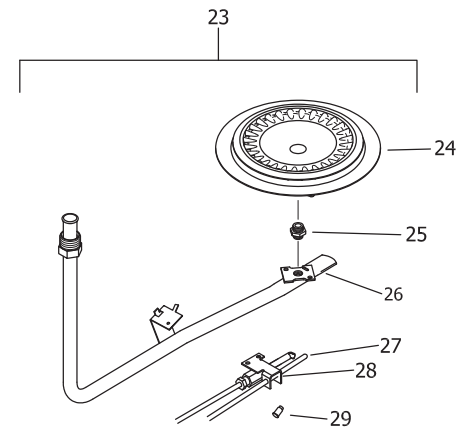
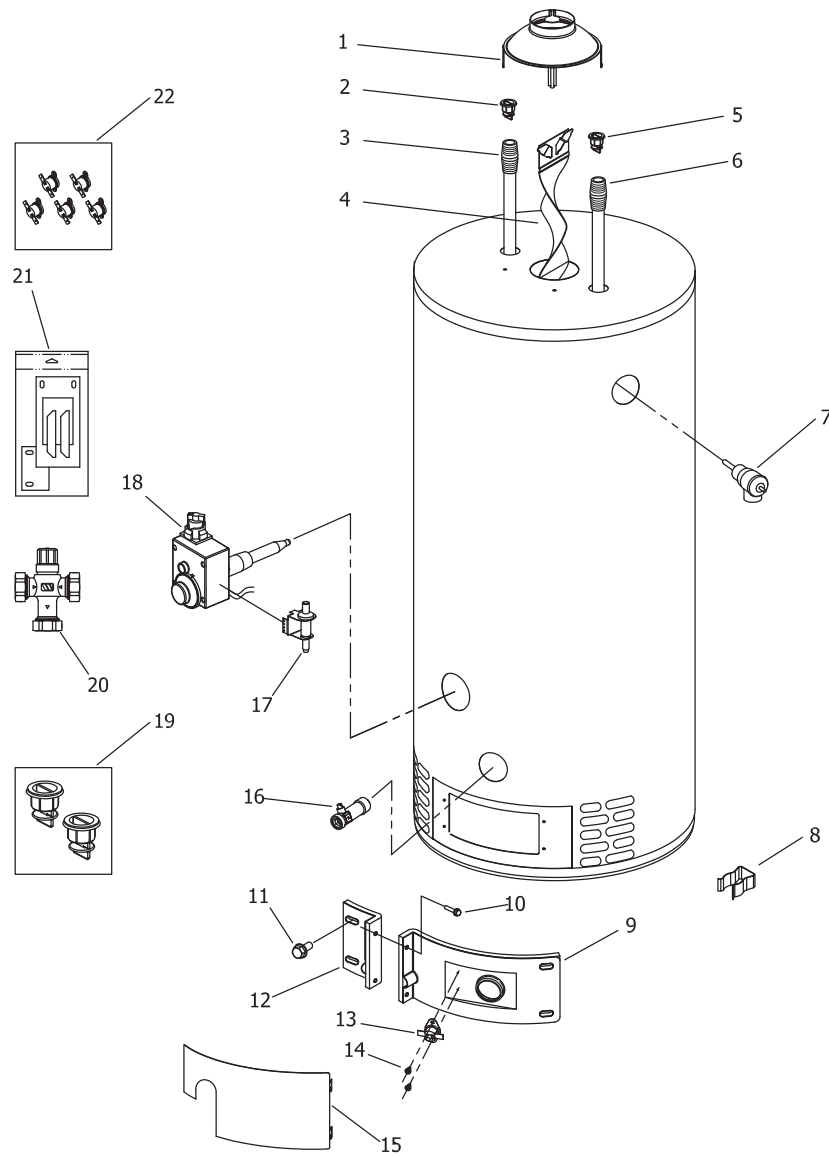
**Inner door gasket kit recommended

***Ordering a complete burner assembly may increase delivery time.
Please order the specific component required for the quickest delivery.

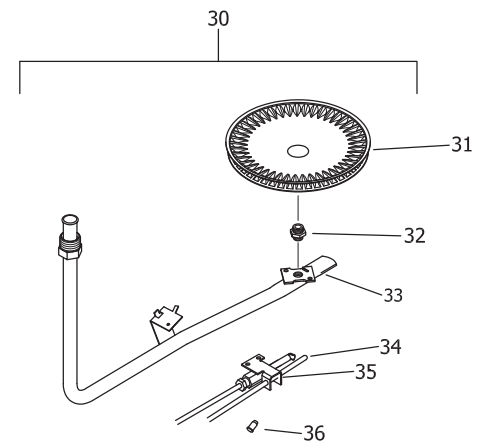
▲ Order with item 2

▲▲ Order with item 5

#Anode may need to be cut to length



NATURAL GAS (BN) BURNER ASSEMBLY



LP GAS (SX) BURNER ASSEMBLY

Item	Description	Model	Model	Model	Model
		RG230S*(N,X)-500	RG230T*(N,X)-500	RG240S*(N,X)-500	RG240T*(N,X)-500
1	Draft Diverter	243-45787-00	243-45787-00	243-45787-00	243-45787-00
2	Heat Trap Insert (Outlet)	239-45167-00	239-45167-00	239-45167-00	239-45167-00
3	Hot Water Outlet Anode (Magnesium) ▲#	224-47776-19	224-47776-19	224-47776-19	224-47776-19
	Hot Water Outlet (Aluminum) ▲#	224-32999-42	224-32999-42	224-32999-42	224-32999-42
	Hot Water Outlet (A420 Aluminum) ▲#	224-49560-10	224-49560-10	224-49560-10	224-49560-10
4	Flue Baffle	243-45226-00	243-44639-00	243-50993-00	243-50065-03
5	Heat Trap Insert (Inlet)	239-51556-00	239-51556-00	239-51556-00	239-51556-00
6	Cold Water Inlet Dip Tube (PEX) ▲▲	229-51230-20	229-51230-19	229-51230-24	229-51230-21
7	T&P Relief Valve	230-40594-02	230-40594-02	230-40594-02	230-40594-02
8	Feedline Clip	239-47475-00	239-47475-00	239-47475-00	239-47475-00
9	Right Side Inner Door Complete (Nat. Gas)	239-43963-03	239-43963-02	239-43963-07	239-43963-05
	Right Side Inner Door Complete (LP Gas)	239-43963-03	239-43963-02	239-43963-07	239-43963-04
10	Screw-#8-18 x 3/4 HWH	239-44195-00	239-44195-00	239-44195-00	239-44195-00
11	Screw-#10-12 x 3/4 HWH	239-44113-00	239-44113-00	239-44113-00	239-44113-00
12	Left Side Inner Door Complete	239-43968-16	239-43968-14	239-43968-18	239-43968-16
13	Resettable Thermal Switch (Nat. Gas)	239-43676-01	239-43676-03	239-43676-02	239-43676-03
14	Screw-#6-20 x 3/8 PHCR	239-43967-00	239-43967-00	239-43967-00	239-43967-00
15	Outer Door	243-43962-00	243-43962-00	243-43962-00	243-43962-00
16	Brass Drain Valve	265-42351-02	265-42351-02	265-42351-02	265-42351-02
17	Piezo Igniter Kit	243-43450-00	243-43450-00	243-43450-00	243-43450-00
18	T-Stat Direct Replacement (Natural Gas)	265-46181-02	265-46181-02	265-46181-02	265-46181-02
	T-Stat Direct Replacement (LP Gas)	265-46182-02	265-46182-02	265-46182-02	265-46182-02
19	Kit-Heat Trap Insert	239-51572-00	239-51572-00	239-51572-00	239-51572-00
20	ASSE Approved Mixing Valve (Optional)	239-51778-00	239-51778-00	239-51778-00	239-51778-00
21	Inner Door Gasket Kit	239-44078-00	239-44078-00	239-44078-00	239-44078-00
22	Resettable Thermal Switch Kit (5 pcs.)	265-43676-01	265-43676-03	265-43676-02	265-43676-03
Natural Gas Burner Assembly					
23	Nat Gas Burner Assembly Complete*** **	265-43971-03-38	265-43971-02-36	265-43971-04-32	265-43971-03-32
24	Nat. Gas Burner**	228-42506-00	228-42506-00	228-42506-00	228-42506-00
25	Nat. Gas Main Burner Orifice**	234-41034-38	234-41034-36	234-41034-32	234-41034-32
26	Feedline	233-48094-03	233-48094-02	243-43971-04	233-48094-03
27	Pilot Assembly Thermocouple	233-46501-24	233-46501-24	233-46501-24	233-46501-24
28	Nat. Gas Pilot Assembly**	233-46277-06	233-46277-06	233-46277-06	233-46277-06
29	Nat. Pilot Assembly Orifice	234-46502-05	234-46502-05	234-46502-05	234-46502-05
LP Gas Burner Assembly					
30	LP Gas Burner Assembly Complete*** **	265-47115-03-54	265-47115-02-60	265-48038-04-50	265-47115-03-52
31	LP Gas Burner**	228-46964-00	228-46964-00	228-46964-00	228-46964-00
32	LP Gas Main Burner Orifice**	234-47064-55	234-47064-60	234-47064-50	234-47064-52
33	Feedline	233-47108-03	233-47108-02	233-47108-04	233-47108-03
34	Pilot Assembly Thermocouple	233-46501-24	233-46501-24	233-46501-24	233-46501-24
35	LP Gas Pilot Assembly**	233-46278-04	233-46278-04	233-47846-07	233-46278-04
36	LP Pilot Assembly Orifice	234-46502-02	234-46502-02	234-46502-02	234-46502-02

*Applies to all warranties

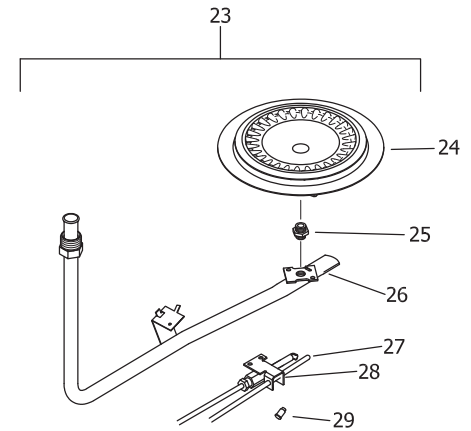
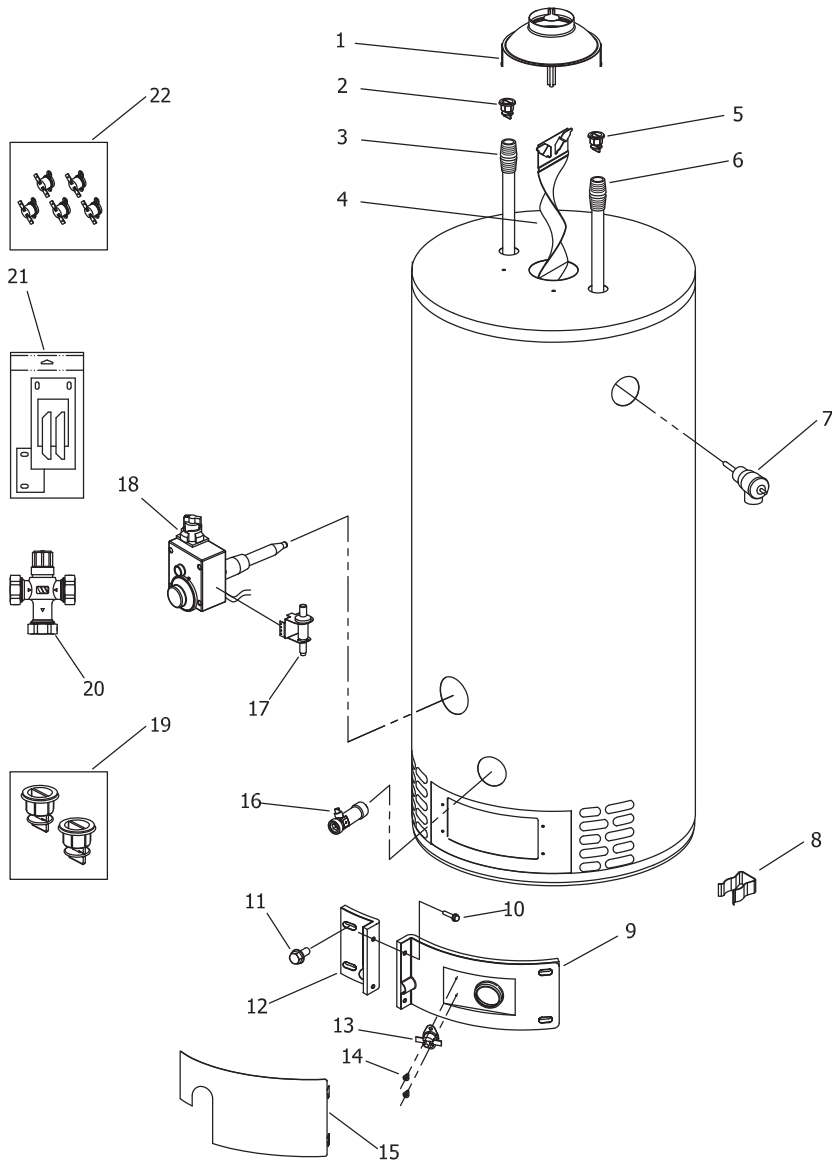
**Inner door gasket kit recommended

***Ordering a complete burner assembly may increase delivery time.
Please order the specific component required for the quickest delivery.

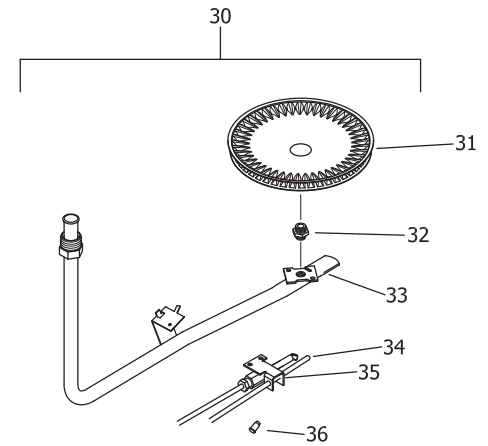
▲ Order with item 2

▲▲ Order with item 5

#Anode may need to be cut to length



NATURAL GAS (BN) BURNER ASSEMBLY



LP GAS (SX) BURNER ASSEMBLY

Item	Description	Model	Model	Model
		RG250L*(N,X)-500	RG250S*(N,X)-500	RG250T*(N,X)-500
1	Draft Diverter	243-45787-00	239-33081-02-20-15	243-45787-00
2	Heat Trap Insert (Outlet)	239-45167-00	239-45167-00	239-45167-00
3	Hot Water Outlet Anode (Magnesium) ▲#	224-47776-19	224-47776-19	224-47776-19
	Hot Water Outlet (Aluminum) ▲#	224-32999-42	224-32999-42	224-32999-42
	Hot Water Outlet (A420 Aluminum) ▲#	224-49560-10	224-49560-10	224-49560-10
4	Flue Baffle	243-45223-00	243-45225-00	243-44705-00
5	Heat Trap Insert (Inlet)	239-51556-00	239-51556-00	239-51556-00
6	Cold Water Inlet Dip Tube (PEX) ▲▲	229-51230-20	229-51230-14	229-51230-18
7	T&P Relief Valve	230-40594-02	230-40594-02	230-40594-02
8	Feedline Clip	239-47475-00	239-47475-00	239-47475-00
9	Right Side Inner Door Complete	239-43963-09	239-43963-06	239-43963-07
10	Screw-#8-18 x 3/4 HWH	239-44195-00	239-44195-00	239-44195-00
11	Screw-#10-12 x 3/4 HWH	239-44113-00	239-44113-00	239-44113-00
12	Left Side Inner Door Complete	239-43968-20	239-43968-18	239-43968-18
13	Resettable Thermal Switch	239-43676-01	239-43676-01	239-43676-02
14	Screw-#6-20 x 3/8 PHCR	239-43967-00	239-43967-00	239-43967-00
15	Outer Door	243-43962-00	243-43962-00	243-43962-00
16	Brass Drain Valve	265-42351-02	265-42351-02	265-42351-02
17	Piezo Igniter Kit	243-43450-00	243-43450-00	243-43450-00
18	T-Stat Direct Replacement (Natural Gas)	265-46181-02	265-46181-02	265-46181-02
	T-Stat Direct Replacement (LP Gas)	265-46182-02	265-46182-02	265-46182-02
19	Kit-Heat Trap Insert	239-51572-00	239-51572-00	239-51572-00
20	ASSE Approved Mixing Valve (Optional)	239-51778-00	239-51778-00	239-51778-00
21	Inner Door Gasket Kit	239-44078-00	239-44078-00	239-44078-00
22	Resettable Thermal Switch Kit (5 pcs.)	265-43676-01	265-43676-01	265-43676-02
Natural Gas Burner Assembly				
23	Nat Gas Burner Assembly Complete*** **	265-43971-06-32	265-43971-04-30	265-47439-10-32
24	Nat. Gas Burner**	228-42506-00	228-42506-00	228-42506-00
25	Nat. Gas Main Burner Orifice**	234-41034-32	234-41034-30	234-41034-32
26	Feedline	233-48094-05	233-48094-04	233-48094-04
27	Pilot Assembly Thermopile	233-46501-24	233-46501-24	233-46501-24
28	Nat. Gas Pilot Assembly**	233-46277-04	233-46277-04	233-46277-04
29	Pilot Assembly Orifice	234-46502-05	234-46502-05	234-46502-05
LP Gas Burner Assembly				
30	LP Gas Burner Assembly Complete*** **	265-48038-05-50	265-47118-03-47	265-47115-04-51
31	LP Gas Burner**	228-46964-00	228-47000-00	228-46964-00
32	L.P. Gas Main Burner Orifice**	234-47064-50	234-47064-47	234-47064-51
33	Feedline	233-47108-05	233-47108-04	233-47108-04
34	Pilot Assembly Thermopile	233-46501-24	233-46501-24	233-46501-24
35	LP Gas Pilot Assembly**	233-46278-03	233-46278-03	233-46278-03
36	Pilot Assembly Orifice	234-46502-02	234-46502-02	234-46502-02

*Applies to all warranties

**Inner door gasket kit recommended

***Ordering a complete burner assembly may increase delivery time.
Please order the specific component required for the quickest delivery.

▲ Order with item 2

▲▲ Order with item 5

#Anode may need to be cut to length



BRADFORD WHITE®

W A T E R H E A T E R S

Ambler, PA

For U.S. and Canada field service,
contact your professional installer or
local Bradford White sales representative.

Sales/800-523-2931
Fax/215-641-1670
Parts Fax/215-641-2180

Technical Support/800-334-3393
Fax/269-795-1089

Warranty/800-531-2111
Fax/269-795-1089

International:
Telephone/215-641-9400
Telefax/215-641-9750



BRADFORD WHITE™

W A T E R H E A T E R S

Sales & Technical Support/866-690-0961
905-203-0600

Fax/905-636-0666

Email

parts@bradfordwhite.com
techserv@bradfordwhite.com

www.bradfordwhite.com